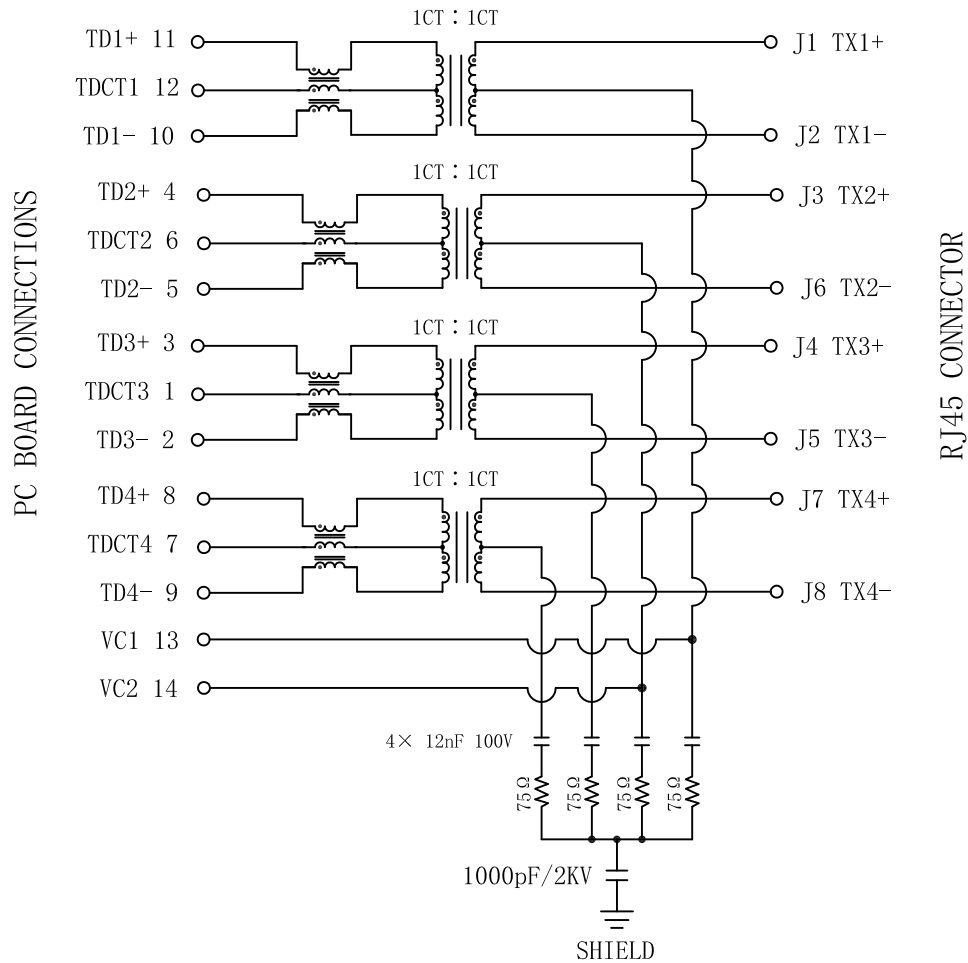


# Schematic :

REV.	ECN NO.	DESCRIPTION	DATE	APPD
A	REL		2011-02-14	



## Electrical Specifications @25°C

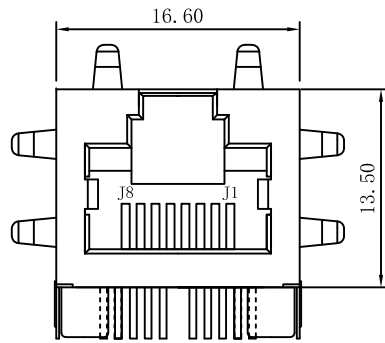
- Turns Ratio ( $\pm 2\%$ ):  
Pri : Sec = 1CT : 1CT
- OCL: 350uH Min  
@100KHz/100mVrms 8mA DC bias.
- Insertion Loss:  
0.1-1MHz: -1.1dB Max  
1-65MHz: -0.5dB Max  
65-100MHz: -0.8dB Max  
100-125MHz: -1.2dB Max
- Return Loss:  
0.5-40MHz: -18dB Min  
40-100MHz: -12+20LOG(f/80MHz) dB Min
- Crosstalk:  
0.1-100MHz: -22+20LOG(f/100MHz) dB Min
- CM TO CM REJ:  
0.1-100MHz: -30dB Min
- CM TO DM REJ:  
0.1-100MHz: -35dB Min
- Hipot: 1500Vrms
- Balanced DC Line Current:  
350mA Max. @ 57 VDC Continuous  
500mA Max. @ 57 VDC For 200 Milliseconds
- Operating Temperature: 0°C ~ 70°C.



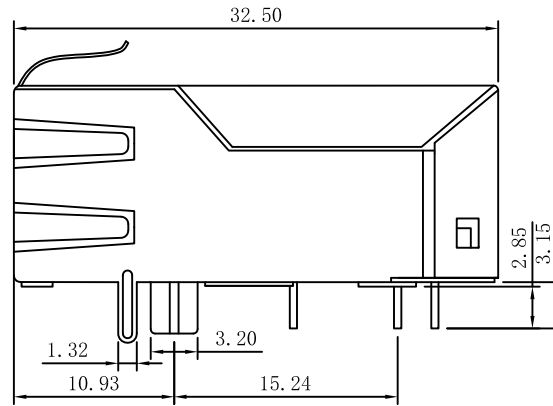
X:X	$\pm 0.30$	APPD:	LINK-PP INT'L TECHNOLOGY CO., LIMITED	
X:XX	$\pm 0.25$	CHKD:	TITLE: RJ45 Connector with 1000 Base-T Integrated Magnetics For PoE Application	
X:XXX	$\pm 0.05$	DR: TOM		
ANGLES	$\pm 1^\circ$	UNIT: mm	PART NO.: LPJK1046CNL	
	SCALE: 2/1	SHEET: 1/2	REV: A	DWG NO.: LP11021403

# Mechanical :

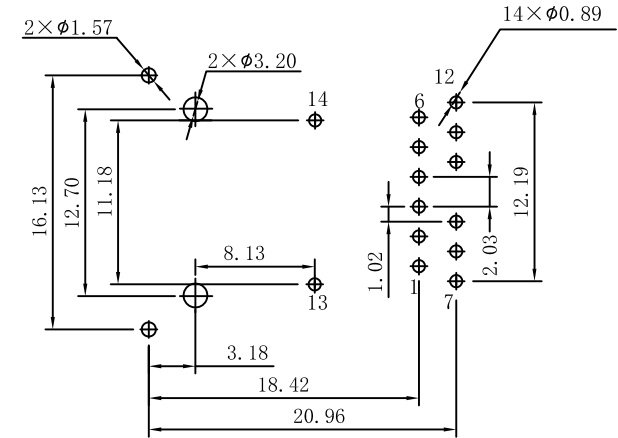
REV.	ECN NO.	DESCRIPTION	DATE	APPD
A	REL		2011-02-14	



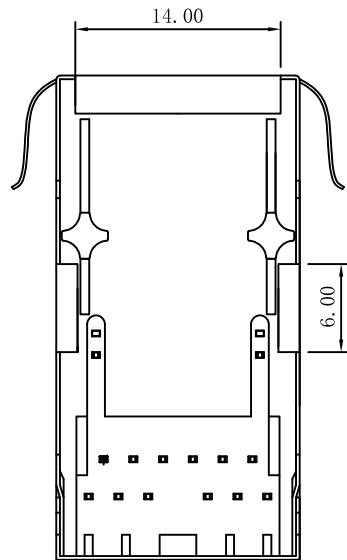
Front Side View



Left Side View



Suggested PCB Layout (Top View)



Bottom Side View



Top Side View

## NOTES:

1. Designed to support application, such as SOHO (ADSL modems), LAN-on-Motherboard (LOM), hub and Switches.
2. Meets IEEE 802.3af specification
3. Connector Materials:  
 Housing Material: Thermoplastic PBT+30%G.F UL94V-0  
 Contact Material: Phosphor Bronze C5210R-EH Thickness=0.35mm  
 Pins: Brass C2680R-H Thickness=0.35mm  
 Shield: Copper alloy Brass H65Y Thickness=0.2mm  
 Contact plating: Gold 6 micro-inches min. In contact area.
4. Wave solder tip temperature: 265°C Max, 5 Sec.
5. UL Certification: File Number E484635.

X:X	±0.30	APPD:	LINK-PP INT'L TECHNOLOGY CO., LIMITED	
X:XX	±0.25	CHKD:	TITLE: RJ45 Connector with 1000 Base-T Integrated Magnetics For PoE Application	
X:XXX	±0.05	DR: TOM	PART NO.: LPJK1046CNL	
ANGLES	±1°	UNIT: mm	DWG NO.: LP11021403	
		SCALE: 2/1	SHEET: 2/2	REV: A