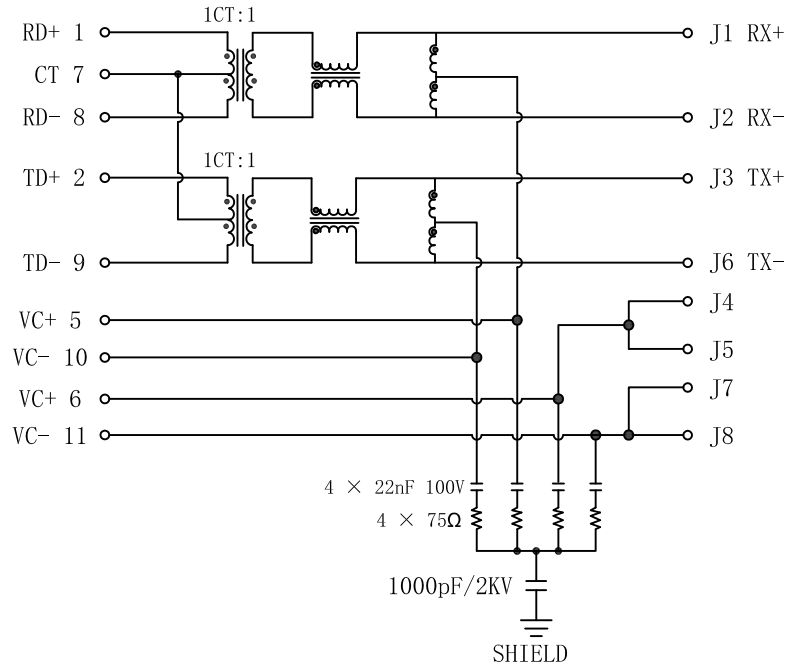


# Schematic:

REV.	ECN NO.	DESCRIPTION	DATE	APPD
A	REL		2016-05-17	

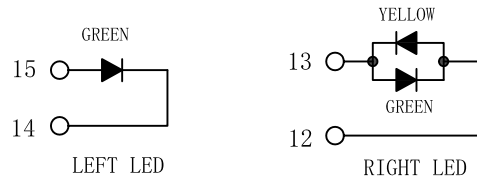
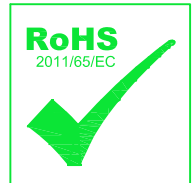
PC BOARD CONNECTIONS



RJ45 CONNECTOR

## Electrical Specifications @25°C

1. OCL: 350uH Min  
@100KHz, 100mV, 8mA bias current.
2. Turns Ratio(±2%):  
TX=1CT:1      RX=1CT:1
3. Insertion Loss:  
0.1-100MHz:-1.5dB Max
4. Return Loss:  
2-30MHz:-16 Min  
60-80MHz:-10 Min
5. Crosstalk:  
0.1-100MHz:-30dB Min
6. Balanced DC Line Current:  
350mA Max @ 57 VDC Continuous  
500mA Max @ 57 VDC For 200 Millseconds
7. Hipot: 1500Vrms
8. Operating Temperature: 0°C ~ 70°C.

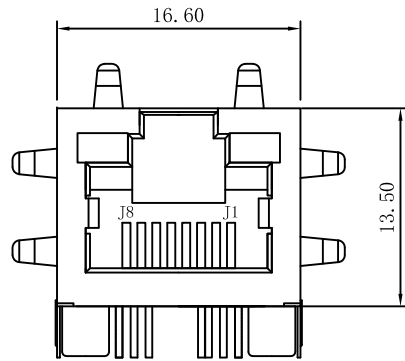


Emitting Color	λ p(nm)	VF@IF=20mA	IR @VR=5V
GREEN	565	1.8~2.4V	10 μ A max
YELLOW	585	1.8~2.4V	10 μ A max

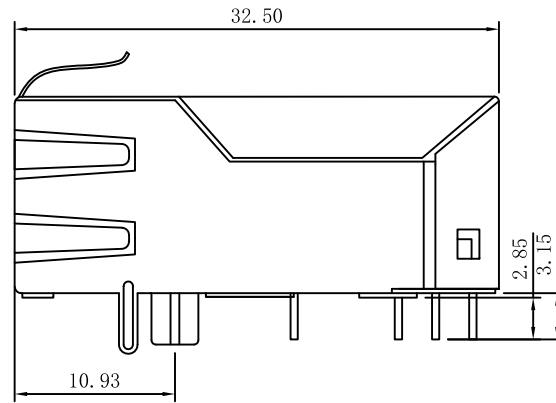
X:X ±0.25	APPD:	LINK-PP INT'L TECHNOLOGY CO., LIMITED		
X:XX ±0.20	CHKD:	TITLE: RJ45 Connector with 10/100 Base-T Integrated Magnetics For PoE Application		
X:XXX ±0.05	DR: TOM	PART NO.: LPJK1014A8NL		
ANGLES ±1°	UNIT: mm			
	SCALE: 2/1	SHEET: 1/2	REV: A	DWG NO.: LP16051712

# Mechanical:

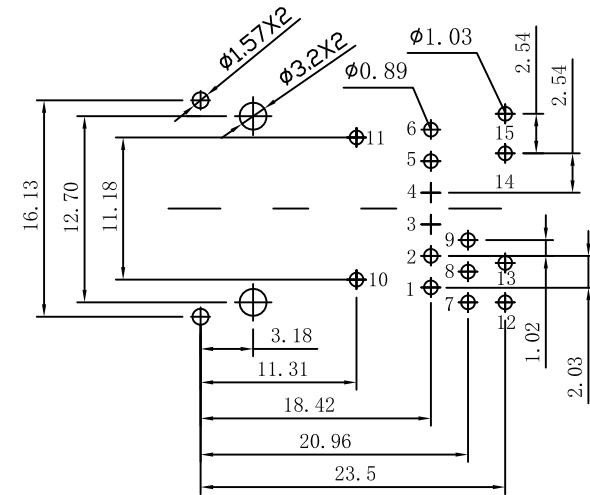
REV.	ECN NO.	DESCRIPTION	DATE	APPD
A	REL		2016-05-17	



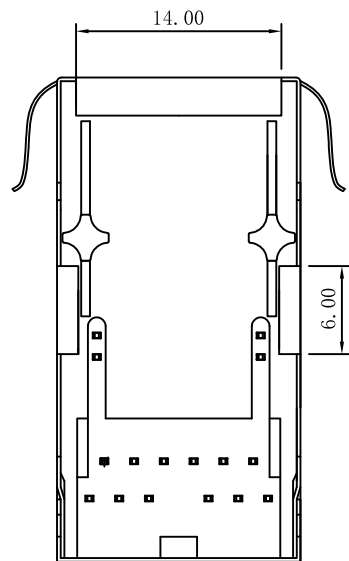
Front Side View



Left Side View



Suggested PCB Layout (Top View)



Bottom Side View



Top Side View

## NOTES:

1. Designed to support application, such as SOHO (ADSL modems), LAN-on-Motherboard (LOM), hub and Switches.
2. Meets IEEE 802.3af specification
3. Connector Materials:  
Housing: Thermoplastic UL94V-0  
Contact/Shield: Copper alloy  
Shield plating: Nickel  
Contact plating: Gold 6 micro-inches min. In contact area.
4. Wave solder tip temperature: 265°C Max, 5 Sec Max

X:X ±0.25	APPD:	LINK-PP INT'L TECHNOLOGY CO., LIMITED	
X:XX ±0.20	CHKD:	TITLE: RJ45 Connector with 10/100 Base-T Integrated Magnetics For PoE Application	
X:XXX ±0.05	DR: TOM	PART NO.: LPJK1014A8NL	
ANGLES ±1°	UNIT: mm		
	SCALE: 2/1	SHEET: 2/2	REV: A DWG NO.: LP16051712