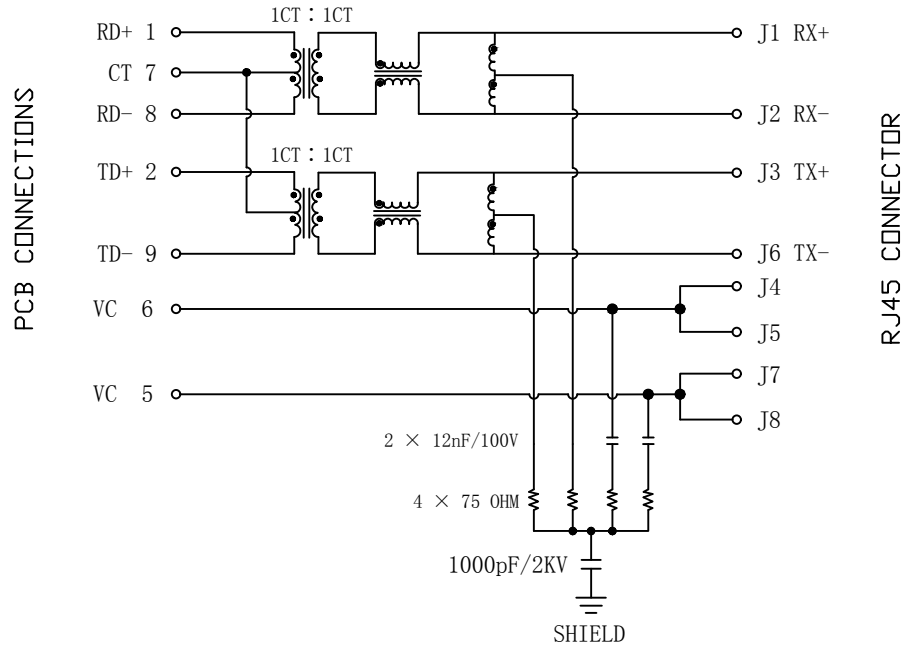


# Schematic:

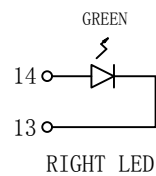
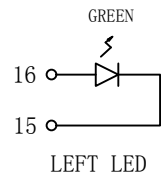
REV.	ECN NO.	DESCRIPTION	DATE	APPD
A	REL		2023-03-16	



## Electrical Specifications @25°C

- Turns Ratio( $\pm 2\%$ ):  
TX=1CT : 1CT      RX=1CT : 1CT
- OCL: 350uH Min  
@100KHz 100mVrms 8mA DC Bias
- Insertion Loss:  
0.1-100MHz:-1.5dB Max
- Return Loss:  
2-30MHz:-16 Min  
60-80MHz:-10 Min
- Crosstalk:  
0.1-100MHz:-30dB Min
- Common Mode Rejection:  
1-50MHz:-30 Min  
50-150MHz:-20 Min
- Balanced DC Line Current:  
350mA Max @ 57 VDC Continuous  
500mA Max @ 57 VDC For 200 Millseconds
- Hipot: 1500Vrms
- Operating Temperature: 0°C~70°C.

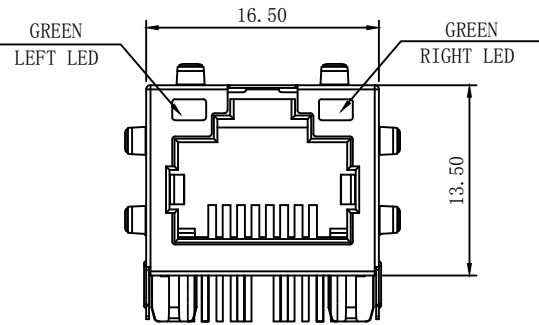
Emitting Color	$\lambda_p$ (nm)	V <sub>F</sub> @I <sub>F</sub> =20mA	I <sub>R</sub> @V <sub>R</sub> =5V
GREEN	565	1.8~2.4V	10 $\mu$ A max



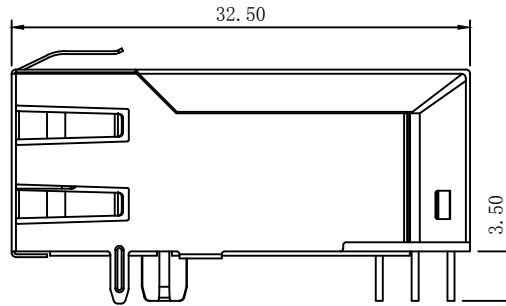
X:X	$\pm 0.30$	APPD: TOM	LINK-PP INT'L TECHNOLOGY CO., LIMITED	
X:XX	$\pm 0.25$	CHKD: JAMES		
X:XXX	$\pm 0.05$	DR: LEO		
ANGLES	$\pm 1^\circ$	UNIT: mm	TITLE: RJ45 Connector with 10/100 Base-TX Integrated Magnetic For PoE Application	
		PART NO.:	LPJK0411AWNLV	
	SCALE: 2/1	SHEET: 1/2	REV: A	DWG NO. : LP23031630

# Mechanical :

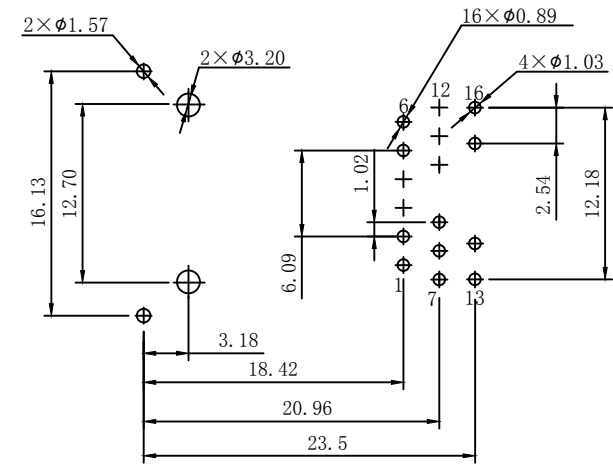
REV.	ECN NO.	DESCRIPTION	DATE	APPD
A	REL		2023-03-16	



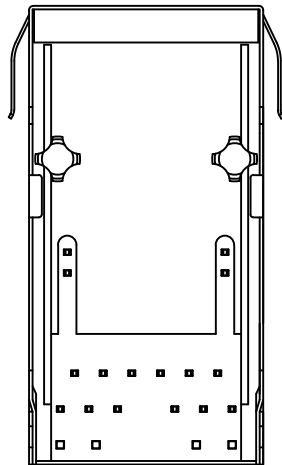
Front Side View



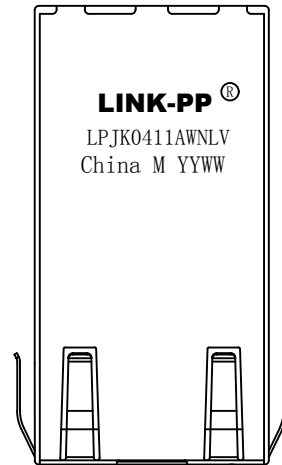
Left Side View



Suggested PCB Layout (Top View)



Bottom Side View



Top Side View

## NOTES:

1. Designed to support application, such as SOHO (ADSL modems), LAN-on-Motherboard (LOM), hub and Switches.
2. Meets IEEE 802.3 specification
3. Connector Materials:  
 Housing Material: Thermoplastic PBT+30%G.F UL94V-0  
 Contact Material: Phosphor Bronze C5210R-EH Thickness=0.35mm  
 Pins: Brass C2680R-H Thickness=0.35mm  
 Shield: Copper alloy Brass H65Y Thickness=0.2mm  
 Contact plating: Gold 6 micro-inches min. In contact area.
4. Wave solder tip temperature: 260°C, 5 Sec.
5. UL Certification: File Number E484635.



X:X ±0.30	APPD: TOM	LINK-PP INT'L TECHNOLOGY CO., LIMITED
X:XX ±0.25	CHKD: JAMES	
X:XXX ±0.05	DR: LEO	TITLE: RJ45 Connector with 10/100 Base-TX Integrated Magnetic For PoE Application
ANGLES ±1°	UNIT: mm	PART NO.: LPJK0411AWNLV
	SCALE: 2/1	SHEET: 2/2
	REV: A	DWG NO.: LP23031630