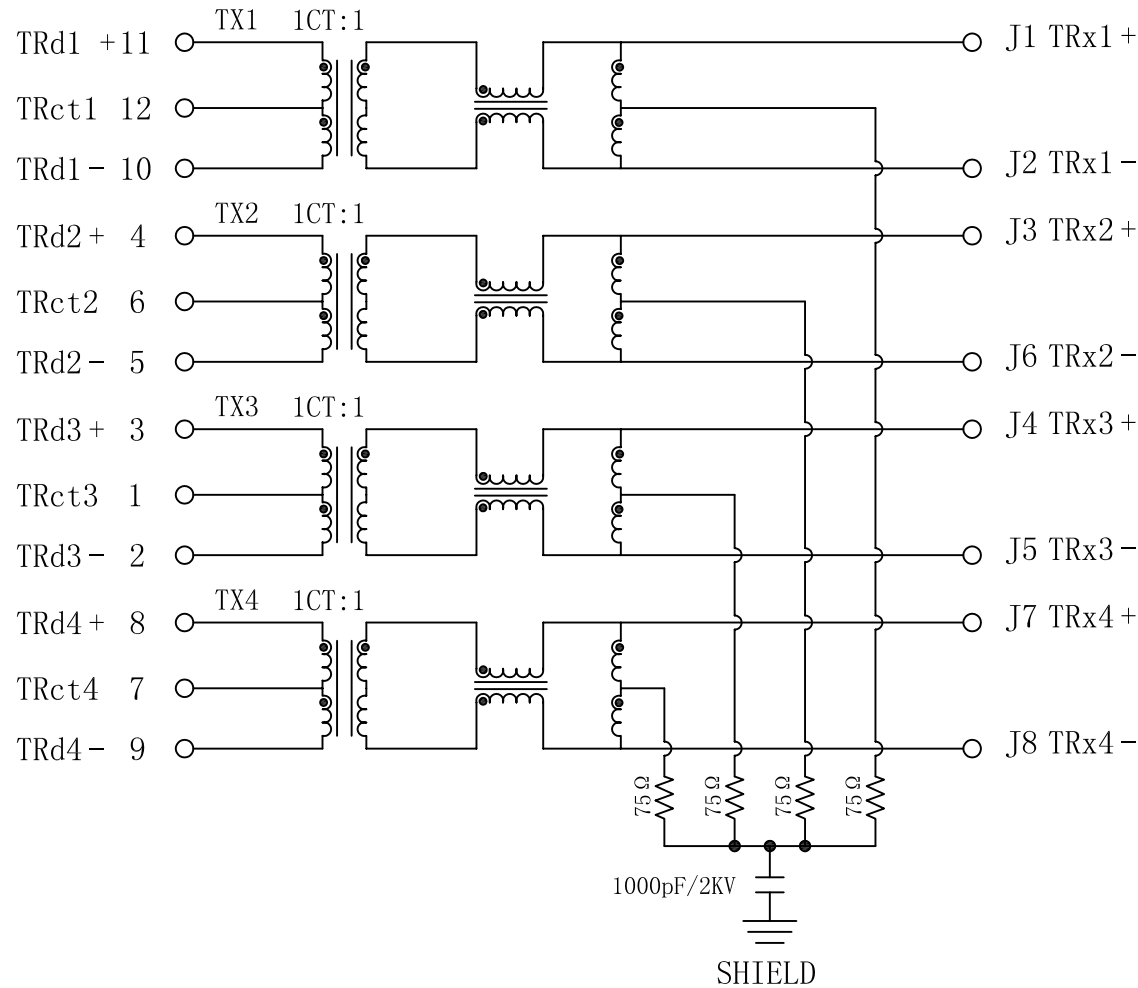


# Schematic:

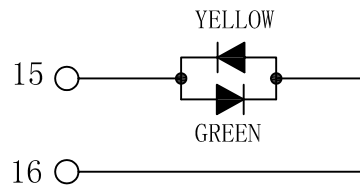
REV.	ECN NO.	DESCRIPTION	DATE	APPD
A	REL		2012/11/06	

## PHY SIDE

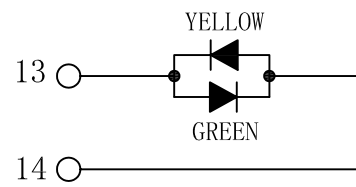
## CABLE SIDE



- Electrical Specifications @25°C
1. OCL (100KHz, 0.1V, 8mA DC Bias):  
350uH min
  2. Turns Ratio ( $\pm 2\%$ ):  
TX=1CT:1      RX=1CT:1
  3. Insertion Loss:  
1-100MHz: -1.0dB MAX
  4. Return Loss (dB MIN):  
1-10MHz: -20      30MHz: -16  
60-80MHz: -12      80-100MHz: -10
  5. Crosstalk (dB MIN):  
1-10MHz: -40      32-65MHz: -35  
65-100MHz: -30
  6. CMR (dB MIN):  
1-125MHz: -30      125-500MHz: -20
  7. Hipot: 1500Vrms
  8. Operating Temperature: 0°C ~ 70°C.



LEFT LED

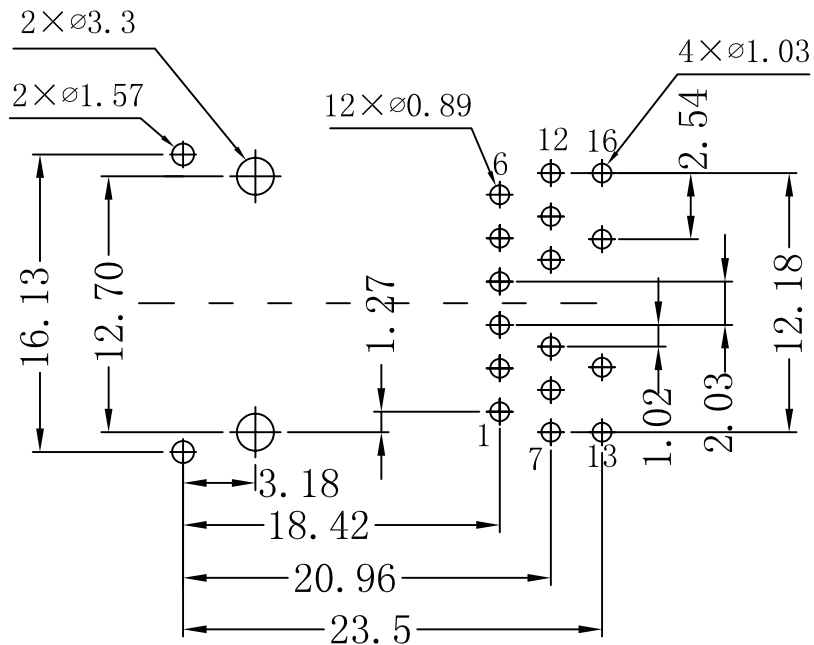
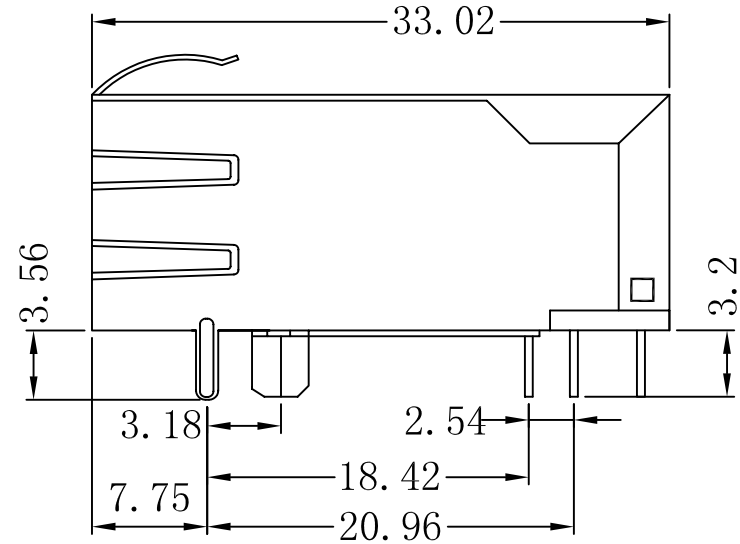
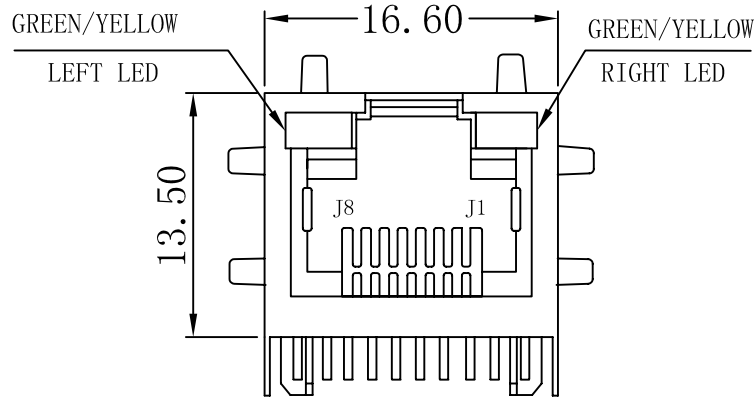


RIGHT LED

X:X	$\pm 0.20$	APPD:	LINK-PP INT'L TECHNOLOGY CO., LIMITED
X:XX	$\pm 0.10$	CHKD:	
X:XXX	$\pm 0.05$	DR: TOM	Title: RJ45 Connector with 1000 Base-TX Integrated Magnetic
ANGLES	$\pm 1^\circ$	UNIT: mm	PART NO.: LPJK0071A4NL
	SCALE: 2/1	SHEET: 1/2	REV: A      DWG NO.: LP12110603

# Mechanical :

REV.	ECN NO.	DESCRIPTION	DATE	APPD
A	REL		2012/11/06	



SUGGESTED PCB LAYOUT (TOP VIEW)

## NOTES:

1. Designed to support application, such as SOHO (ADSL modems), LAN-on-Motherboard (LOM), hub and Switches.
2. Meets IEEE 802.3 specification
3. Connector Materials:  
 Housing: Thermoplastic UL94V-0  
 Contact/Shield: Copper alloy  
 Shield plating: Nickel  
 Contact plating: Gold 6 micro-inches min. In contact area.
4. Wave solder tip temperature: 265°C Max  
 Wave solder tip temperature time: 5 Sec Max



X:X	±0.20	APPD:	LINK-PP INT'L TECHNOLOGY CO., LIMITED
X:XX	±0.10	CHKD:	
X:XXX	±0.05	DR: TOM	Title: RJ45 Connector with 1000 Base-TX Integrated Magnetic
ANGLES	±1°	UNIT: mm	PART NO.: LPJK0071A4NL
	SCALE: 2/1	SHEET: 2/2	REV: A DWG NO.: LP12110603