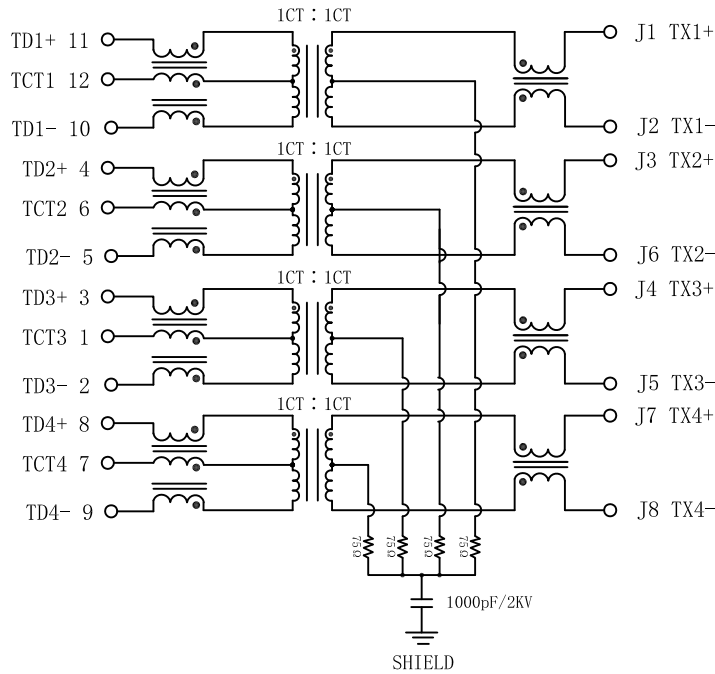


# Schematic:

REV.	ECN NO.	DESCRIPTION	DATE	APPD
A	REL		2013-12-18	

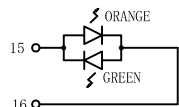
PC BOARD CONNECTIONS



RJ45 CONNECTOR

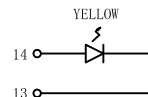
### Electrical Specifications @25°C

- Turns Ratio ( $\pm 3\%$ ):  
Pri : Sec = CT : 1CT
- OCL: 350uH MIN  
@100KHz, 100mV, 8mA DC Bias
- Insertion Loss:  
1-100MHz: -1.0dB MAX
- Return Loss (dB MIN, @100Ω):  
1-10MHz: -20; 10-30MHz: -16  
30-60MHz: -12 60-80MHz: -10
- Crosstalk (dB MIN):  
1-30MHz: -40; 30-60MHz: -35  
60-100MHz: -30
- Common Mode Rejection (dB MIN):  
1-500MHz: -25
- Hipot: 1500Vrms
- Operating Temperature: 0°C ~ 70°C.



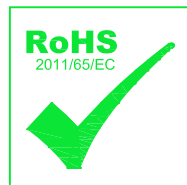
LEFT LED

LED POLARITY		COLOR
PIN 15	PIN 16	
+	-	ORANGE
-	+	GREEN



RIGHT LED

LED POLARITY		COLOR
PIN 13	PIN 14	
-	+	YELLOW

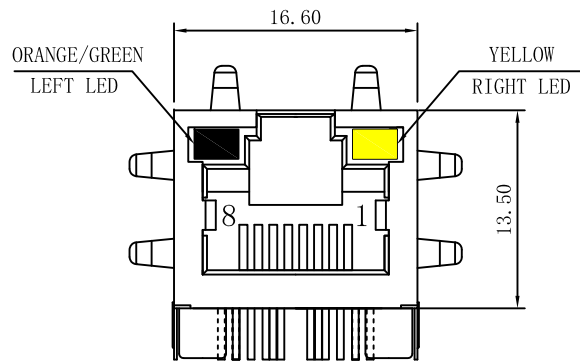


Emitting Color	$\lambda$ p(nm)	VF@IF=20mA	IR @VR=5V
YELLOW	585	1.8~2.6V	10 $\mu$ A max
ORANGE / GREEN	610 / 565	1.8~2.6V	10 $\mu$ A max

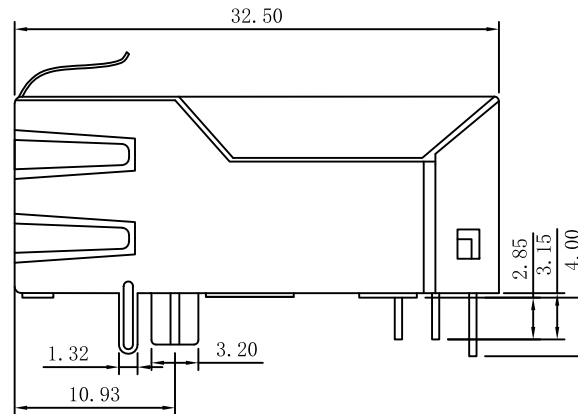
X:X	$\pm 0.30$	APPD:	LINK-PP INT'L TECHNOLOGY CO., LIMITED	
X:XX	$\pm 0.25$	CHKD:	TITLE: RJ45 Connector with 1000 Base-T Integrated Magnetics	
X:XXX	$\pm 0.05$	DR: TOM	PART NO.: LPJK0039AONL	
ANGLES	$\pm 1^\circ$	UNIT: mm	DWG NO.: LP13121801	
	SCALE: 2/1	SHEET: 1/2	REV: A	

# Mechanical :

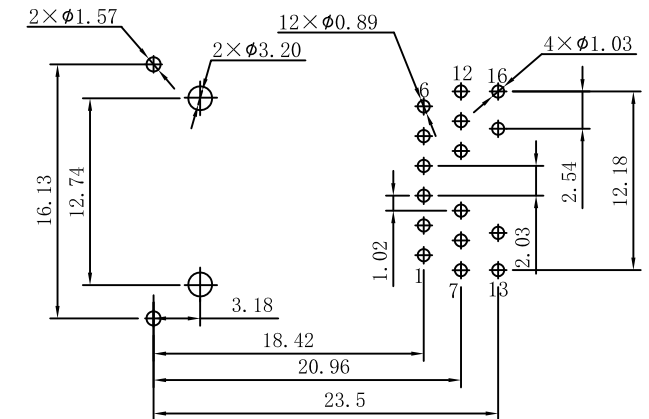
REV.	ECN NO.	DESCRIPTION	DATE	APPD
A	REL		2013-12-18	



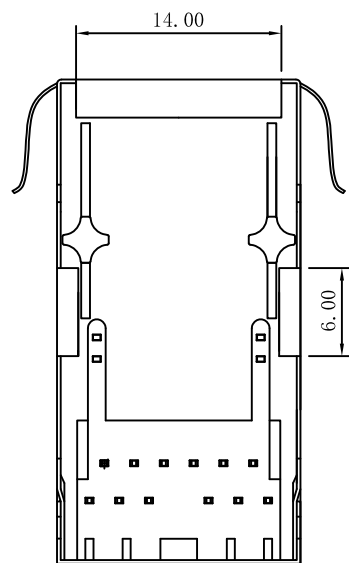
Front Side View



Left Side View



Suggested PCB Layout (Top View)



Bottom Side View



Top Side View

## NOTES:

1. Designed to support application, such as SOHO (ADSL modems), LAN-on-Motherboard (LOM), hub and Switches.
2. Meets IEEE 802.3 specification
3. Connector Materials:  
Housing: Thermoplastic UL94V-0  
Contact/Shield: Copper alloy  
Shield plating: Nickel  
Contact plating: Gold 6 micro-inches Min. In contact area.
4. Wave peak temperature: 260°C Max, 5Sec Max.



X:X ±0.30	APPD:	LINK-PP INT'L TECHNOLOGY CO., LIMITED		
X:XX ±0.25	CHKD:			
X:XXX ±0.05	DR: TOM	TITLE: RJ45 Connector with 1000 Base-T Integrated Magnetics		
ANGLES ±1°	UNIT: mm	PART NO.: LPJK0039AONL		
	SCALE: 2/1	SHEET: 2/2	REV: A	DWG NO.: LP13121801