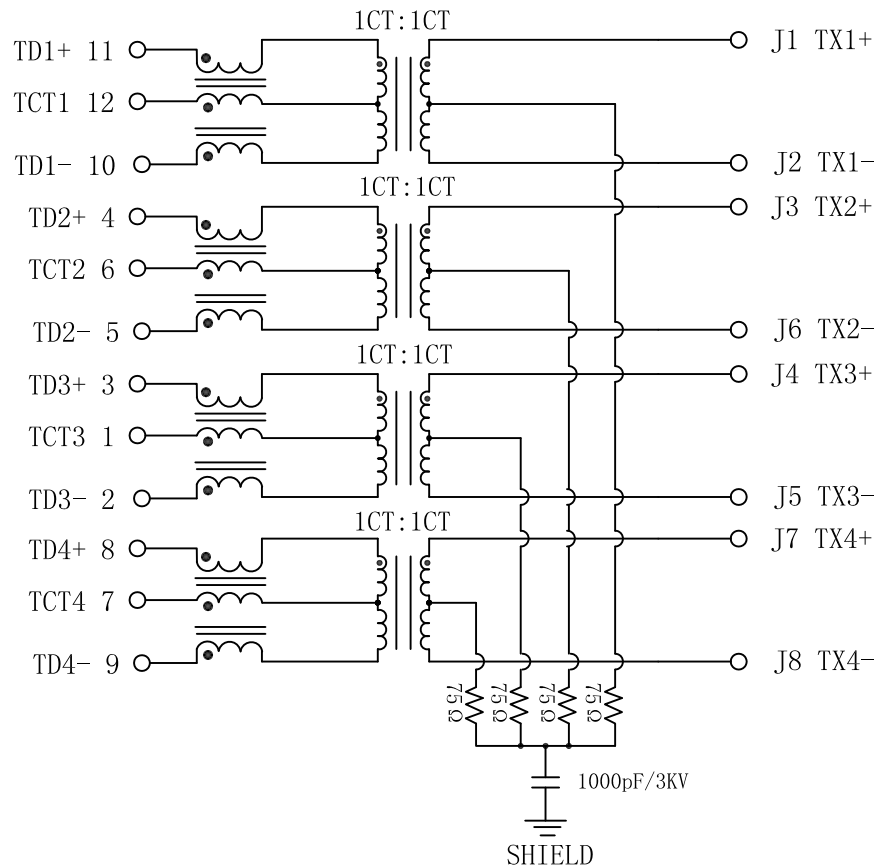


Schematic:

REV.	ECN NO.	DESCRIPTION	DATE	APPD
A	REL		2013-06-18	

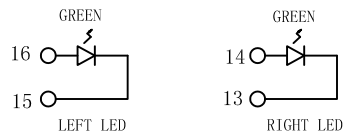
PC BOARD CONNECTIONS



RJ45 CONNECTOR

Electrical Specifications @25°C

- Turns Ratio ($\pm 5\%$):
1CT:1CT
- OCL: 350uH MIN
@100KHz, 100mV, 8mADC Bias.
- Insertion Loss (dB MAX) :
10MHz: -0.5 50MHz: -0.7
80MHz: -1.0 100MHz: -1.3
- Return Loss (dB MIN) :
10MHz: -27; 100MHz: -10
- Crosstalk (dB MIN) :
6MHz: -50; 50MHz: -34
100MHz: -25
- CMR (dB MIN) :
10MHz: -34; 80MHz: -27
200MHz: -21.5; 400MHz: -10
1000MHz: -10.
- Hipot: 1500Vrms
- Operating Temperature: 0°C ~ 70°C.



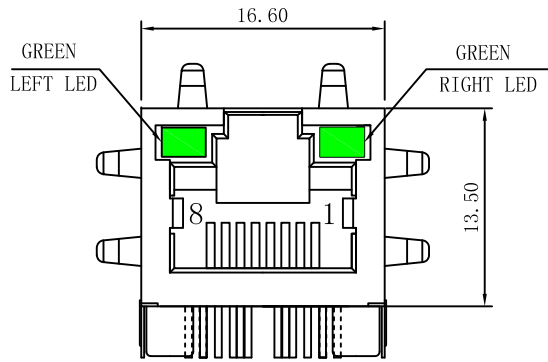
Emitting Color	λ p(nm)	VF@IF=20mA	IR @VR=5V
GREEN	565	1.8-2.6V	10 μ A max



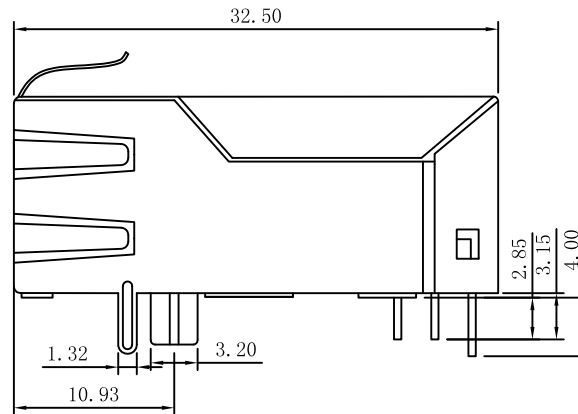
X:X	± 0.30	APPD:	LINK-PP INT'L TECHNOLOGY CO., LIMITED	
X:XX	± 0.25	CHKD:	TITLE: RJ45 Connector with 1000 Base-T Integrated Magnetics	
X:XXX	± 0.05	DR: TOM	PART NO.: LPJK0038AWN	
ANGLES	$\pm 1^\circ$	UNIT: mm	DWG NO.: LP13061805	
	SCALE: 2/1	SHEET: 1/2	REV: A	

Mechanical :

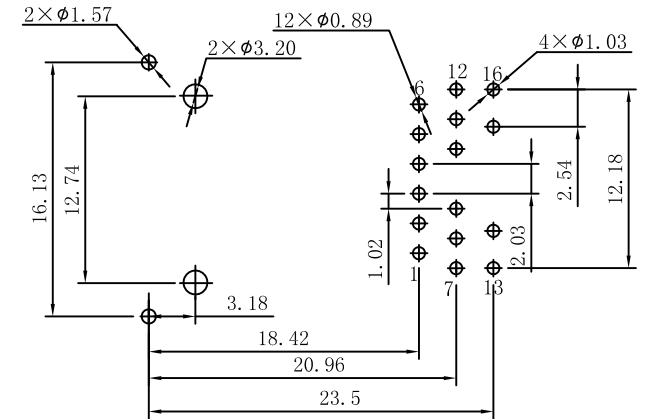
REV.	ECN NO.	DESCRIPTION	DATE	APPD
A	REL		2013-06-18	



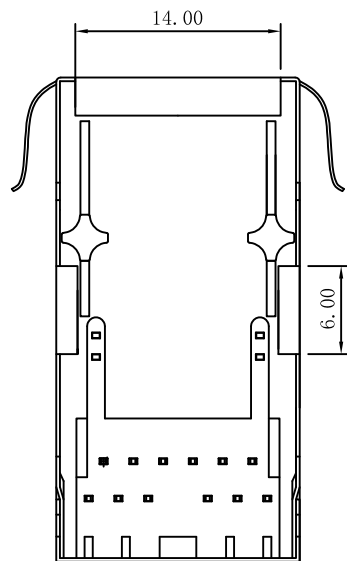
Front Side View



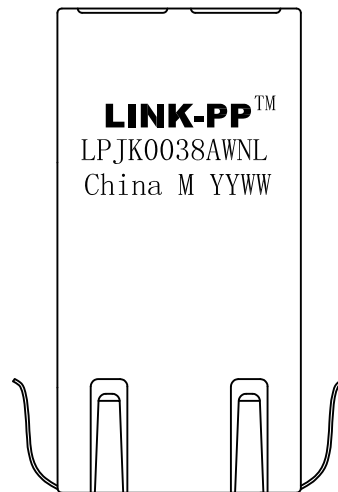
Left Side View



Suggested PCB Layout (Top View)



Bottom Side View



Top Side View

NOTES:

1. Designed to support application, such as SOHO (ADSL modems), LAN-on-Motherboard (LOM), hub and Switches.
2. Meets IEEE 802.3 specification
3. Connector Materials:
 Housing: Thermoplastic UL94V-0
 Contact/Shield: Copper alloy
 Shield plating: Nickel
 Contact plating: Gold 6 micro-inches Min. In contact area.
4. Wave peak temperature: 260°C Max, 5Sec Max.



X:X ±0.30	APPD:	LINK-PP INT'L TECHNOLOGY CO., LIMITED
X:XX ±0.25	CHKD:	
X:XXX ±0.05	DR: TOM	TITLE: RJ45 Connector with 1000 Base-T Integrated Magnetics
ANGLES ±1°	UNIT: mm	PART NO.: LPJK0038AWN
	SCALE: 2/1	SHEET: 2/2
	REV: A	DWG NO.: LP13061805