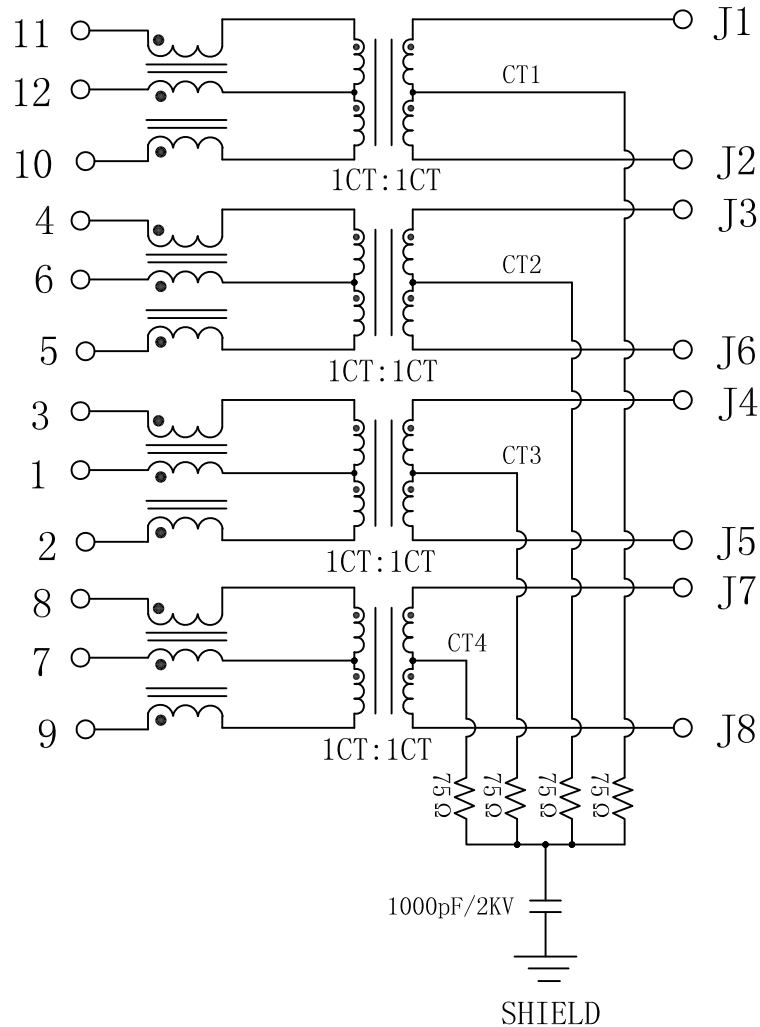


Schematic:

REV.	ECN NO.	DESCRIPTION	DATE	APPD
A	REL		22/06/2009	



Electrical Specifications @25°C

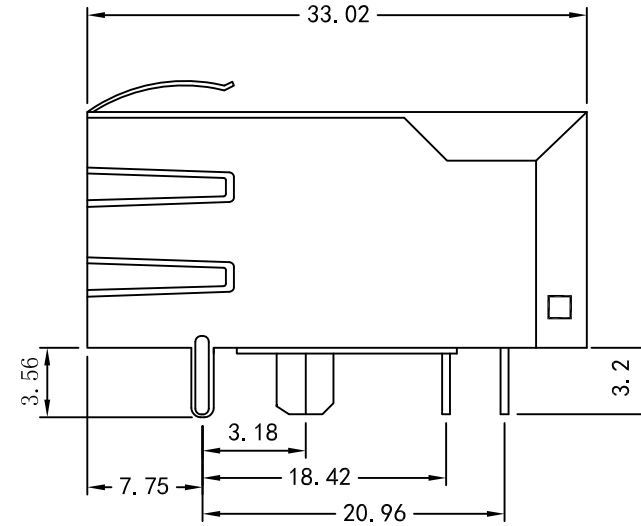
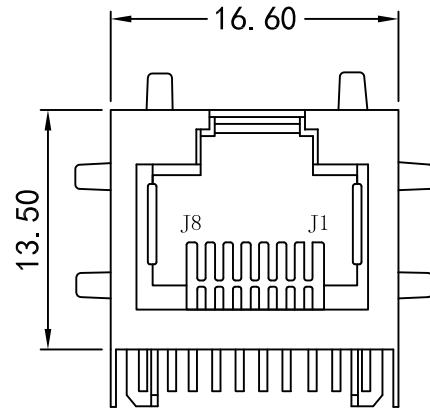
- Turns Ratio($\pm 2\%$):
1CT : 1CT
- OCL: 350uH Min
@100KHz, 0.1Vrms, 8mA DC Bias
- Insertion Loss:
1-100MHz:-1.0dB Max
- Return Loss(dB Min):
1-10MHz:-20; 30MHz:-16
60-80MHz:-12 80-100MHz:-10
- Crosstalk(dB Min):
1-10MHz:-40; 32-65MHz:-35
65-100MHz:-30
- CMR(dB Min):
1-125MHz:-30; 125-500MHz:-20
- Hipot:1500Vrms
- Operating Temperature: 0°C~70°C



X:X	± 0.25	APPD:	LINK-PP INT'L TECHNOLOGY CO., LIMITED	
X:XX	± 0.20	CHKD:	TITLE: RJ45 Connector with 1000Base-TX Integrated Magnetic	
X:XXX	± 0.05	DR: TOM	PART NO.: LPJK0036CNL	
ANGLES	$\pm 1^\circ$	UNIT: mm	SCALE: 2/1	SHEET: 1/2
		REV: A	DWG NO.: LP09062212	

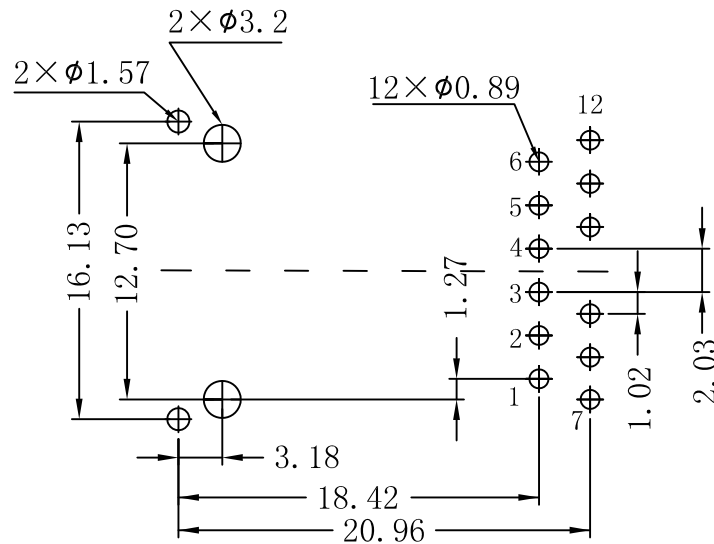
Mechanical :

REV.	ECN NO.	DESCRIPTION	DATE	APPD
A	REL		22/06/2009	



NOTES:

1. Designed to support application, such as SOHO (ADSL modems), LAN-on-Motherboard (LOM), hub and Switches.
2. Meets IEEE 802.3 specification
3. Connector Materials:
 Housing: Thermoplastic UL94V-0
 Contact/Shield: Copper alloy
 Shield plating: Nickel
 Contact plating: Gold 6 micro-inches min. In contact area.
4. Wave solder tip temperature: 265°C Max
 Wave solder tip temperature time: 5 Sec Max



SUGGESTED PCB LAYOUT (TOP VIEW)



X:X	±0.25	APPD:	LINK-PP INT'L TECHNOLOGY CO., LIMITED	
X:XX	±0.20	CHKD:	TITLE: RJ45 Connector with 1000Base-TX Integrated Magnetic	
X:XXX	±0.05	DR: TOM	PART NO.: LPJK0036CNL	
ANGLES	±1°	UNIT: mm	PART NO.: LPJK0036CNL	
	SCALE: 2/1	SHEET: 2/2	REV: A	DWG NO.: LP09062212