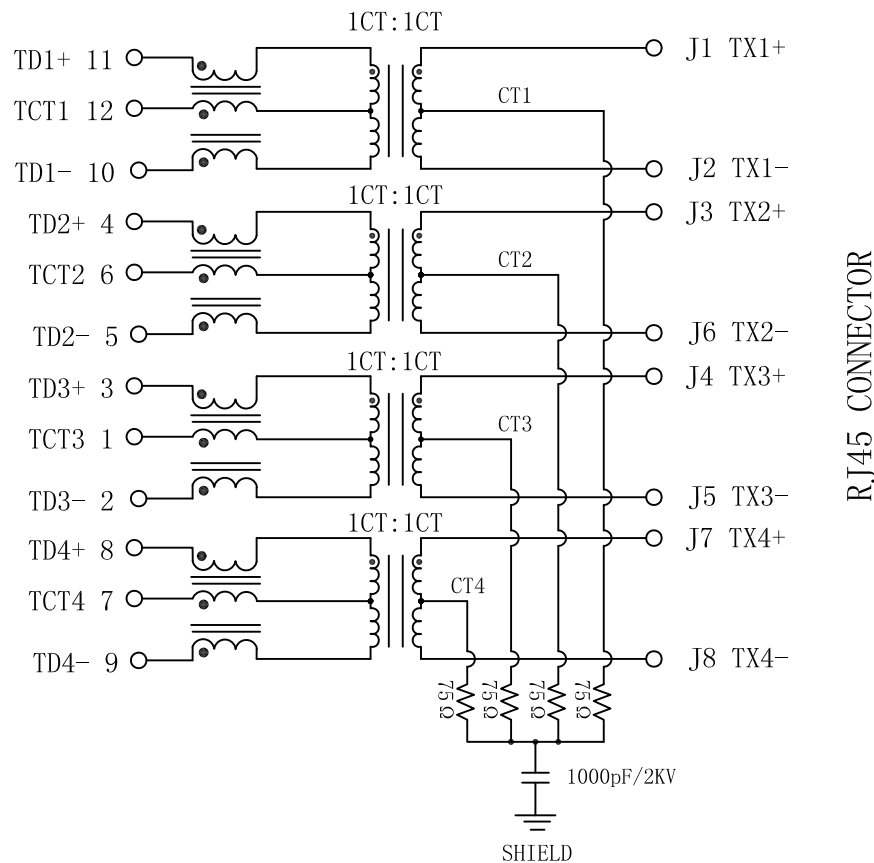


Schematic:

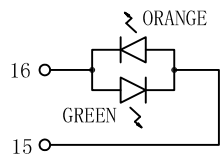
REV.	ECN NO.	DESCRIPTION	DATE	APPD
A	REL		2008-11-06	

PC BOARD CONNECTIONS



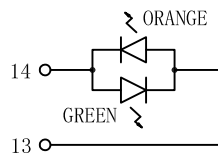
Electrical Specifications @25℃

- 1. Turns Ratio(±2%) :  
Pri : Sec = 1CT : 1CT
- 2. OCL (@100KHz, 100mV, 8mA DC Bias):  
350uH Min
- 3. Insertion Loss:  
1~100MHz:-1.0dB Max
- 4. Return Loss(dB Min):  
1~10MHz:-20 ; 30MHz:-16  
60~80MHz:-12 ; 80~100MHz:-10
- 5. Crosstalk(dB Min):  
1~10MHz:-40 ; 32~65MHz:-35  
65~100MHz:-30
- 6. Common Mode Rejection(dB Min):  
1~125MHz:-30 ; 125~500MHz:-20
- 7. Hi-Pot: 1500Vrms @60Hz
- 8. Operating Temperature: 0℃~70℃.



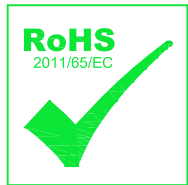
LEFT LED

LED POLARITY		COLOR
PIN 16	PIN 15	
+	-	GREEN
-	+	ORANGE



RIGHT LED

LED POLARITY		COLOR
PIN 14	PIN 13	
+	-	GREEN
-	+	ORANGE



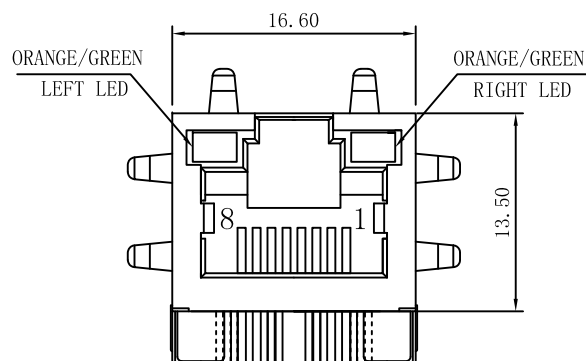
Emitting Color	$\lambda_p$ (nm)	$V_F @ I_F = 20mA$	$I_R @ V_R = 5V$
GREEN	565	1.8~2.6V	10 $\mu A$ max
ORANGE	610	1.8~2.6V	10 $\mu A$ max

X:X ±0.30	APPD:	LINK-PP INT'L TECHNOLOGY CO., LIMITED	
		TITLE: RJ45 Connector with 1000 Base-T Integrated Magnetics	
		PART NO.: LPJK0036A55NL	
ANGLES ±1°	UNIT: mm		
	SCALE: 2/1	SHEET: 1/2	REV: A DWG NO.: LP08110657

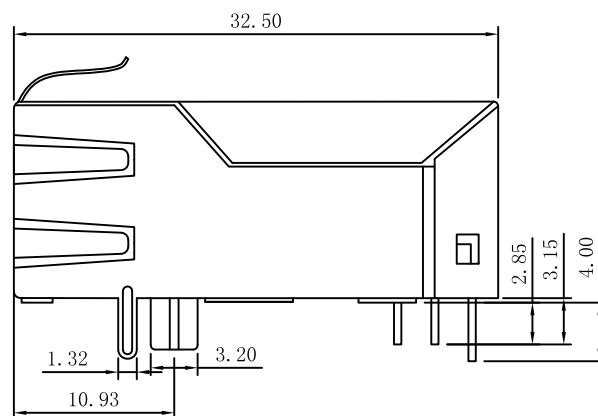


# Mechanical:

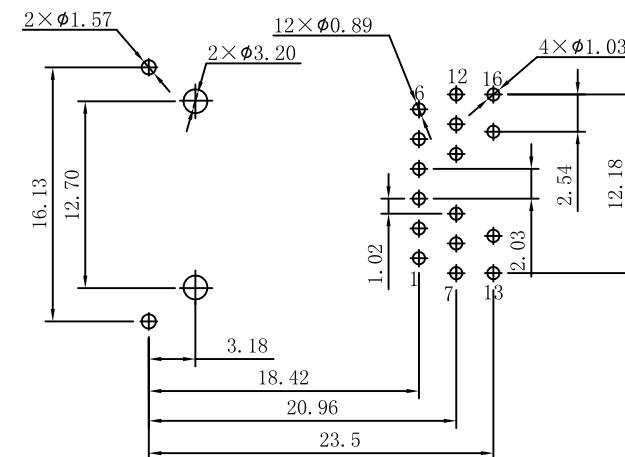
REV.	ECN NO.	DESCRIPTION	DATE	APPD
A	REL		2008-11-06	



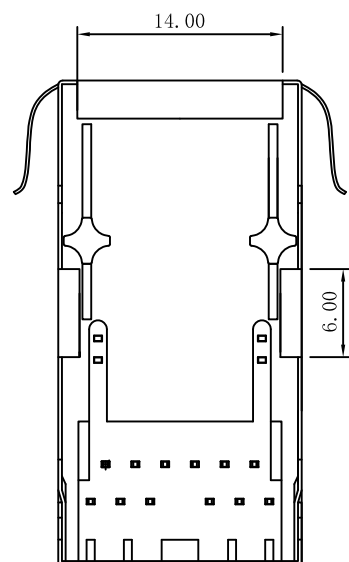
Front Side View



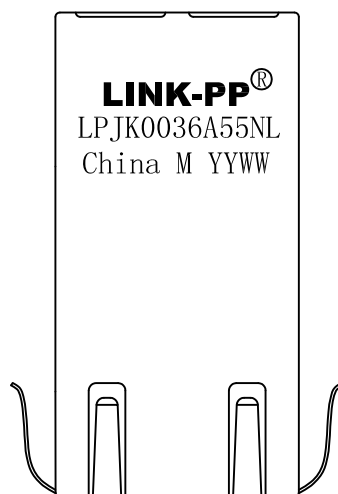
Left Side View



Suggested PCB Layout (Top View)



Bottom Side View

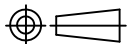


Top Side View

## NOTES:

1. Designed to support application, such as SOHO (ADSL modems), LAN-on-Motherboard (LOM), hub and Switches.
2. Meets IEEE 802.3 specification
3. Connector Materials:  
Housing: Thermoplastic UL94V-0  
Contact/Shield: Copper alloy  
Shield plating: Nickel  
Contact plating: Gold 6 micro-inches Min. In contact area.
4. Wave peak temperature: 260°C Max, 5Sec.
5. UL Certification: File Number E484635.



X:X ±0.30	APPD:	LINK-PP INT'L TECHNOLOGY CO., LIMITED		
X:XX ±0.25	CHKD:			
X:XXX ±0.05	DR: TOM	TITLE: RJ45 Connector with 1000 Base-T Integrated Magnetics		
ANGLES ±1°	UNIT: mm	PART NO.: LPJK0036A55NL		
	SCALE: 2/1	SHEET: 2/2	REV: A	DWG NO.: LP08110657