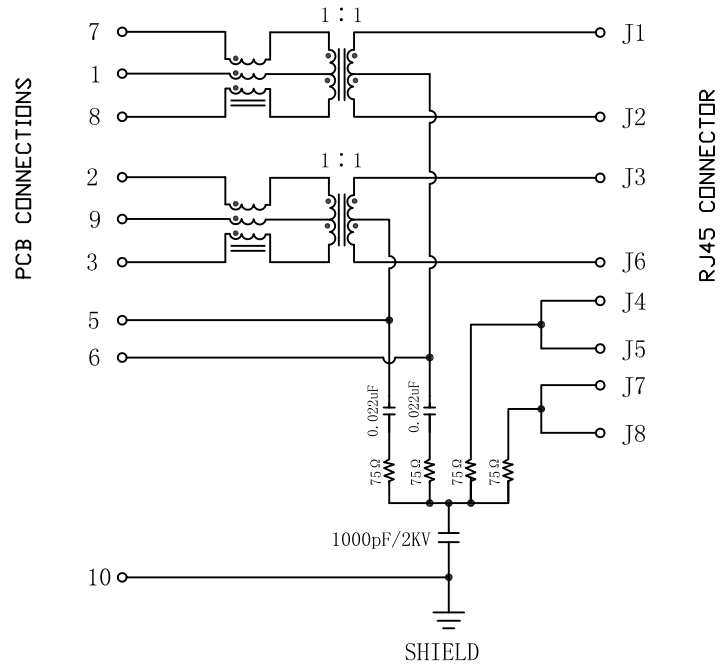


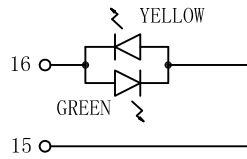
# Schematic:

REV.	ECN NO.	DESCRIPTION	DATE	APPD
A	REL		2008-11-06	



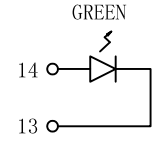
### Electrical Specifications @25°C

- OCL: 350uH MIN  
@100KHz, 100mV, 8mA bias current.
- Turns Ratio(±2%): 1 : 1
- Insertion Loss:  
100kHz:-1.2dB MAX  
1-125MHz:-1.0dB MAX
- Return Loss(@100 Ω ± 15 Ω):  
0.1-30MHz:-16dB MIN  
30-60MHz:-13dB MIN  
60-80MHz:-10dB MIN
- Crosstalk:  
1MHz:-50dB MIN  
10-100MHz:-30dB MIN
- CMRR:  
2MHz:-50dB MIN  
30-200MHz:-18dB MIN
- Hipot: 1500Vrms MIN
- Operating Temperature: 0°C ~ +70°C.



LEFT LED

LED POLARITY		COLOR
PIN 15	PIN 16	
+	-	YELLOW
-	+	GREEN



RIGHT LED

LED POLARITY		COLOR
PIN 13	PIN 14	
-	+	GREEN

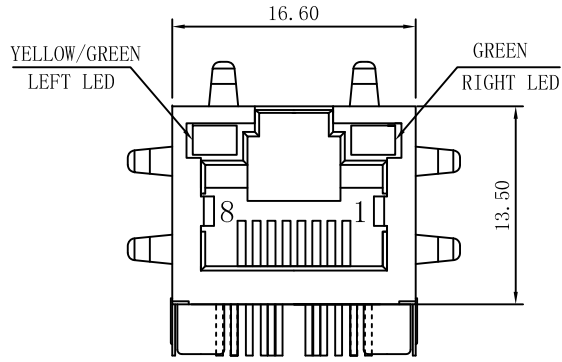


Emitting Color	λ p(nm)	VF@IF=20mA	IR @VR=5V
GREEN	565	1.8~2.6V	10 μ A max
YELLOW	585	1.8~2.6V	10 μ A max

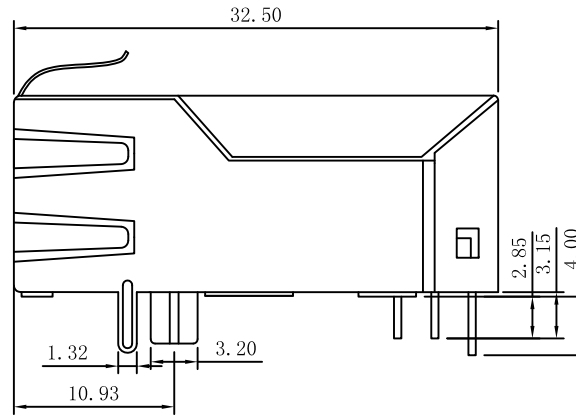
X:X ±0.30	APPD:	LINK-PP INT'L TECHNOLOGY CO., LIMITED
X:XX ±0.25	CHKD:	
X:XXX ±0.05	DR: TOM	TITLE: RJ45 Connector with 10/100 Base-T Integrated Magnetics
ANGLES ±1°	UNIT: mm	PART NO.: LPJK0017AINL
	SCALE: 2/1	SHEET: 1/2
	REV: A	DWG NO.: LP08110615

# Mechanical :

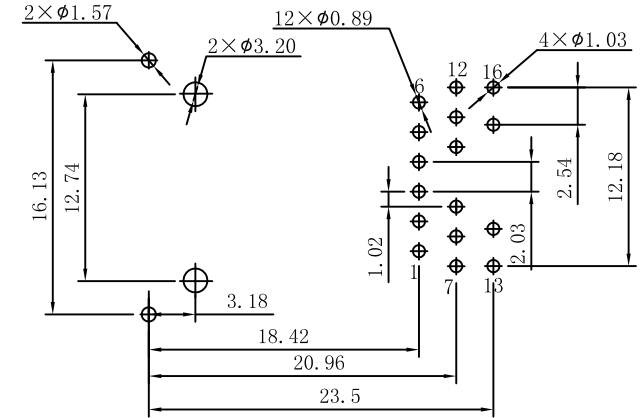
REV.	ECN NO.	DESCRIPTION	DATE	APPD
A	REL		2008-11-06	



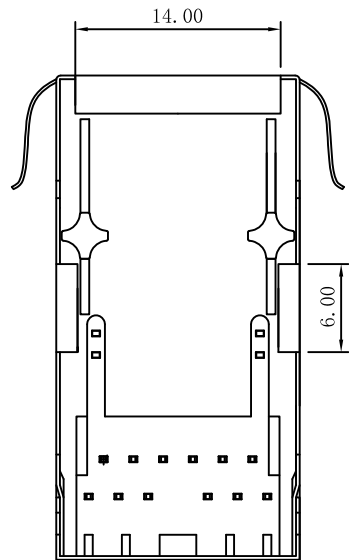
Front Side View



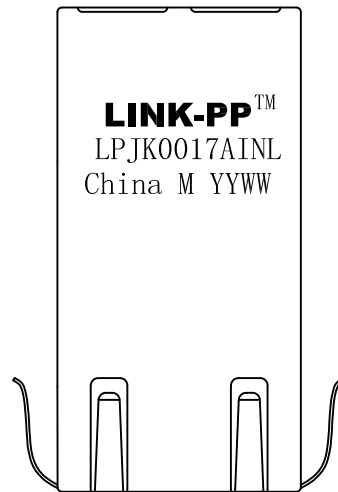
Left Side View



Suggested PCB Layout (Top View)



Bottom Side View



Top Side View

## NOTES:

1. Designed to support application, such as SOHO (ADSL modems), LAN-on-Motherboard (LOM), hub and Switches.
2. Meets IEEE 802.3af specification
3. Connector Materials:  
Housing: Thermoplastic UL94V-0  
Contact/Shield: Copper alloy  
Shield plating: Nickel  
Contact plating: Gold 6 micro-inches Min. In contact area.
4. Wave peak temperature: 260°C Max, 5Sec Max.



X:X	±0.30	APPD:	LINK-PP INT'L TECHNOLOGY CO., LIMITED	
X:XX	±0.25	CHKD:	TITLE: RJ45 Connector with 10/100 Base-T Integrated Magnetics	
X:XXX	±0.05	DR: TOM	PART NO.: LPJK0017AINL	
ANGLES	±1°	UNIT: mm	DWG NO.: LP08110615	
	SCALE: 2/1	SHEET: 2/2	REV: A	