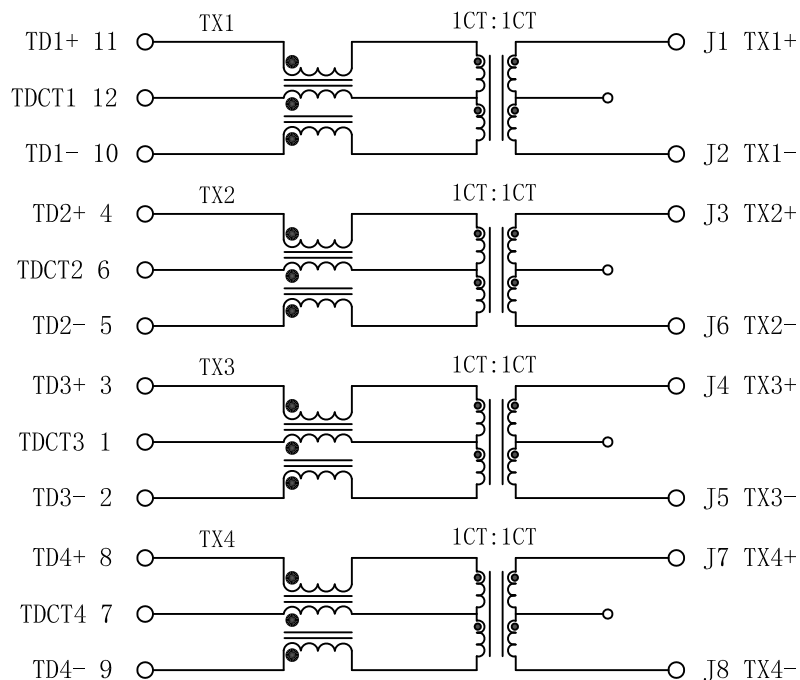


# Schematic:

REV.	ECN NO.	DESCRIPTION	DATE	APPD
A	REL		13/10/2007	

PCB SIDE



CABLE SIDE

## Electrical Specifications @25°C

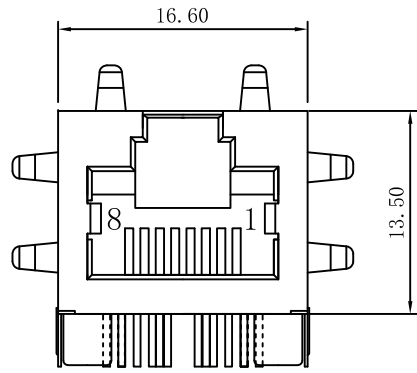
- Turns Ratio ( $\pm 2\%$ ):  
Pri : Sec = 1CT : 1CT
- OCL: 350uH min  
@100KHz, 100mV, 8mA bias current.
- Insertion Loss:  
1~100MHz: -1.0dB max
- Return Loss (dB min):  
1~10MHz: -20      30MHz: -16  
60~80MHz: -12      80~100MHz: -10
- Crosstalk (dB min):  
1~10MHz: -40      32~65MHz: -35  
65~100MHz: -30
- Common Mode Rejection (dB min):  
1~125MHz: -30      125~500MHz: -20
- Hi-Pot: 1500Vrms
- Operating Temperature: 0°C ~ 70°C



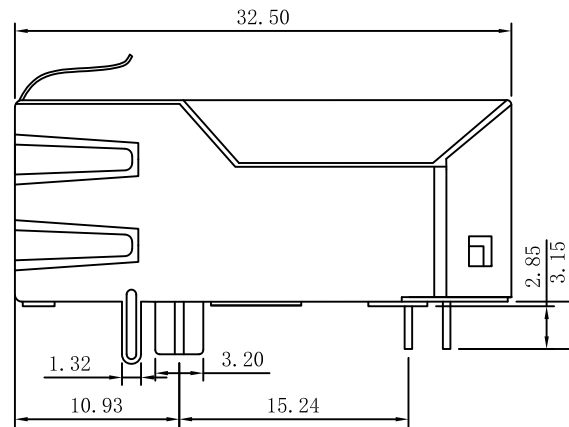
X:X	$\pm 0.30$	APPD:	LINK-PP INT'L TECHNOLOGY CO., LIMITED	
X:XX	$\pm 0.25$	CHKD:	TITLE: RJ45 Connector with 1000 Base-TX Integrated Magnetic	
X:XXX	$\pm 0.05$	DR: TOM	PART NO.: LPJK0014CNL	
ANGLES	$\pm 1^\circ$	UNIT: mm		
	SCALE: 2/1	SHEET: 1/2	REV: A	DWG NO.:

# Mechanical :

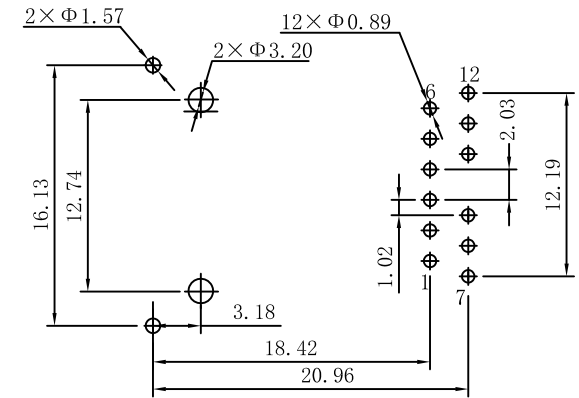
REV.	ECN NO.	DESCRIPTION	DATE	APPD
A	REL		13/10/2007	



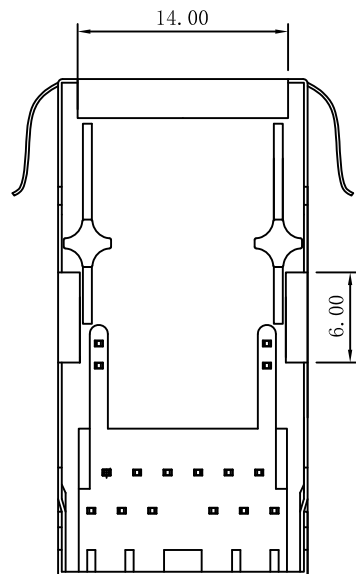
Front Side View



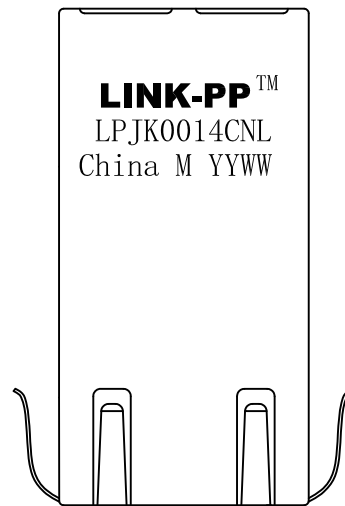
Left Side View



Suggested PCB Layout (Top View)



Bottom Side View



Top Side View

## NOTES :

1. Designed to support application, such as SOHO (ADSL modems), LAN-on-Motherboard (LOM), hub and Switches.
2. Meets IEEE 802.3 specification
3. Connector Materials:  
 Housing Material: Thermoplastic PBT+30%G.F UL94V-0  
 Contact Material: Phosphor Bronze C5210R-EH Thickness=0.35mm  
 Pins: Brass C2680R-H Thickness=0.35mm  
 Shield: Copper alloy Brass H65Y Thickness=0.2mm  
 Contact plating: Gold 6 micro-inches min. In contact area.
4. Wave solder tip temperature: 265°C Max, 5 Sec Max.
5. UL Certification: File Number E484635.



X:X	±0.30	APPD:	LINK-PP INT'L TECHNOLOGY CO., LIMITED	
X:XX	±0.25	CHKD:	TITLE: RJ45 Connector with 1000 Base-TX Integrated Magnetic	
X:XXX	±0.05	DR: TOM	PART NO.: LPJK0014CNL	
ANGLES	±1°	UNIT: mm		
	SCALE: 2/1	SHEET: 2/2	REV: A	DWG NO.: