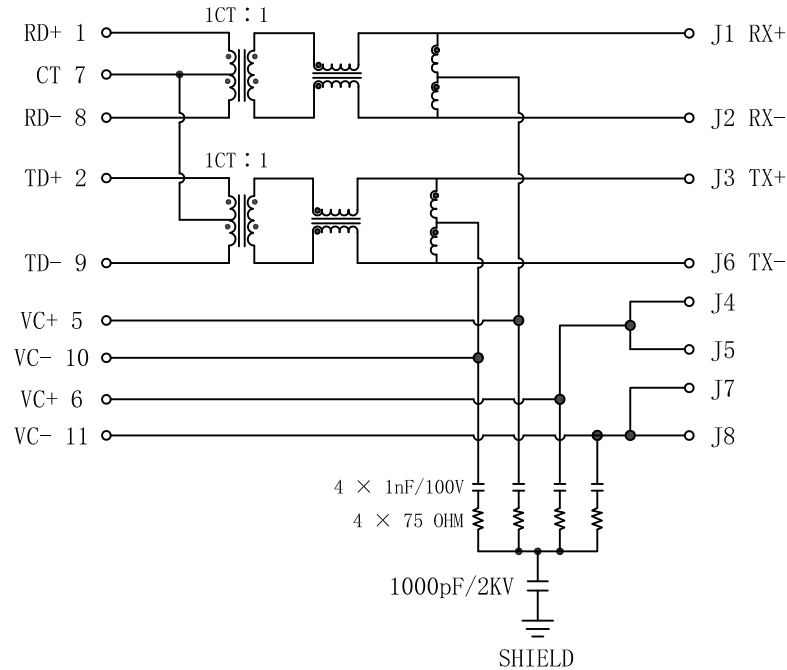


# Schematic:

REV.	ECN NO.	DESCRIPTION	DATE	APPD
A	REL		2016-05-31	

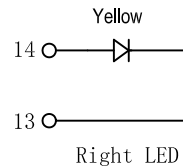
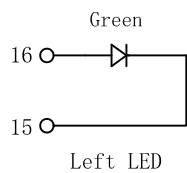
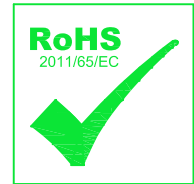
PCB CONNECTIONS



RJ45 CONNECTOR

## Electrical Specifications @25°C

- Turns Ratio ( $\pm 2\%$ ):  
TX=1CT : 1      RX=1CT : 1
- OCL: 350uH Min  
@100KHz 100mVrms 8mA DC Bias
- Insertion Loss:  
0.1-100MHz: -1.5dB Max
- Return Loss:  
2-30MHz: -16 Min  
60-80MHz: -10 Min
- Crosstalk:  
0.1-100MHz: -30dB Min
- Common Mode Rejection:  
1-50MHz: -30 Min  
50-150MHz: -20 Min
- Balanced DC Line Current:  
350mA Max @ 57 VDC Continuous  
500mA Max @ 57 VDC For 200 Millseconds
- Hipot: 1500Vrms
- Operating Temperature: 0°C ~ 70°C.

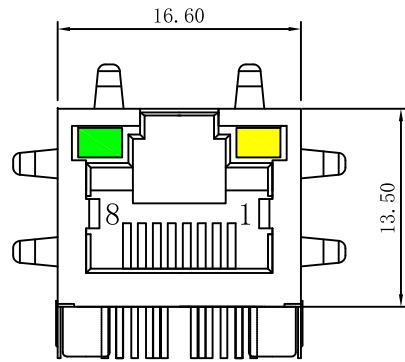


Emitting Color	$\lambda$ p(nm)	V <sub>F</sub> @I <sub>F</sub> =20mA	I <sub>R</sub> @V <sub>R</sub> =5V
Yellow	585	1.8~2.4V	10 $\mu$ A max
Green	565	1.8~2.4V	10 $\mu$ A max

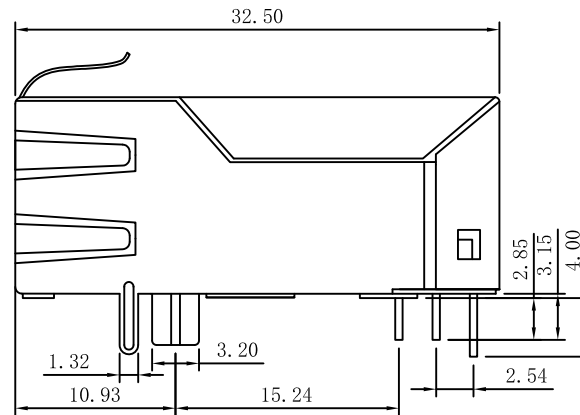
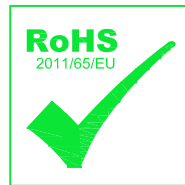
X:X	$\pm 0.25$	APPD:	LINK-PP INT'L TECHNOLOGY CO., LIMITED	
X:XX	$\pm 0.20$	CHKD:	TITLE: RJ45 Connector with 10/100 Base-TX Integrated Magnetic For PoE+ Application	
X:XXX	$\pm 0.05$	DR: TOM	PART NO.: LPJK0013AHNL	
ANGLES	$\pm 1^\circ$	UNIT: mm	DWG NO.: LP16053126	
		SCALE: 2/1	SHEET: 1/2	REV: A

# Mechanical :

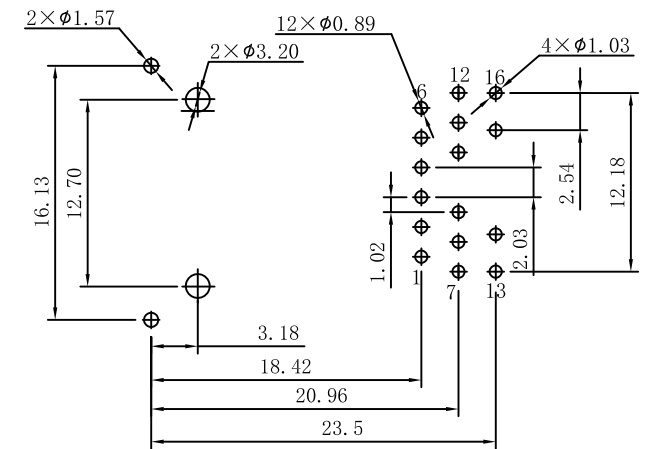
REV.	ECN NO.	DESCRIPTION	DATE	APPD
A	REL		2016-05-31	



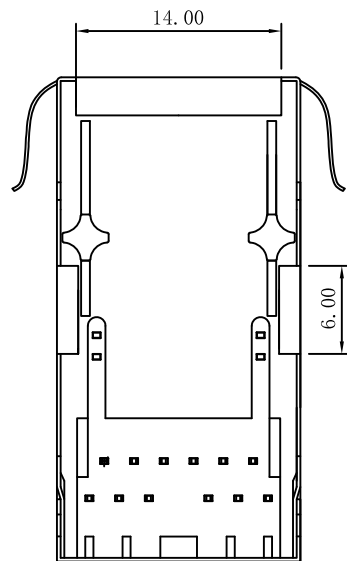
Front Side View



Left Side View



Suggested PCB Layout (Top View)



Bottom Side View



Top Side View

## NOTES:

1. Designed to support application, such as SOHO (ADSL modems), LAN-on-Motherboard (LOM), hub and Switches.
2. Meets IEEE 802.3at specification
3. Connector Materials:  
 Housing: Thermoplastic UL94V-0  
 Contact/Shield: Copper alloy  
 Shield plating: Nickel  
 Contact plating: Gold 6 micro-inches min. In contact area.
4. Wave solder tip temperature: 265°C Max, 5 Sec Max

X:X	±0.25	APPD:	LINK-PP INT'L TECHNOLOGY CO., LIMITED	
X:XX	±0.20	CHKD:		
X:XXX	±0.05	DR: TOM	TITLE: RJ45 Connector with 10/100 Base-TX Integrated Magnetic For PoE Application	
ANGLES	±1°	UNIT: mm	PART NO.: LPJK0013AHNL	
	SCALE: 2/1	SHEET: 2/2	REV: A	DWG NO.: LP16053126