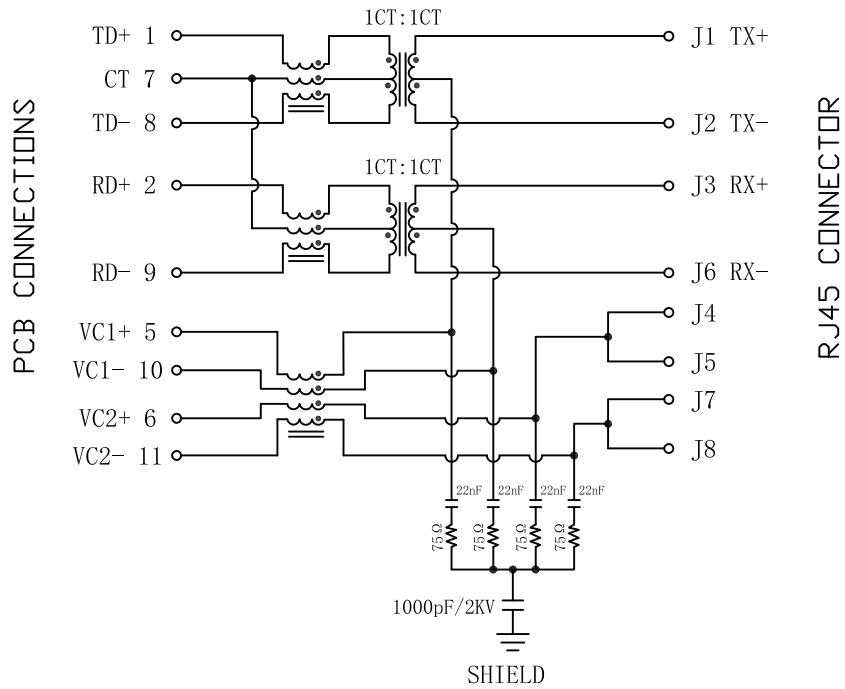


Schematic:

REV.	ECN NO.	DESCRIPTION	DATE	APPD
A	REL		2016-05-31	

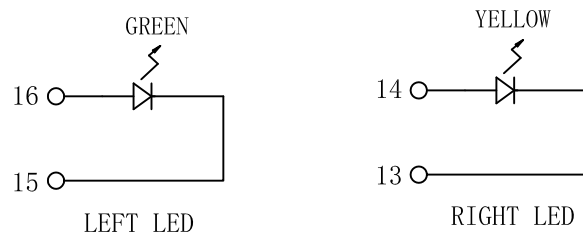


ELECTRICAL SPECIFICATIONS @25°C

- Turn Ratio ($\pm 3\%$):
TX=1CT:1CT RX=1CT:1CT
- Inductance OCL:
350uH MIN @ 100KHz 0.1V 8mA DC Bias
- DCR: 1.2Ω MAX
- Insertion Loss:
-1.0dB MAX @ 1~100MHz
- Return Loss:
-18dB MIN @ 1~30MHz
-14dB MIN @ 30~60MHz
-12dB MIN @ 60~80MHz
- Crosstalk:
-30dB MIN @ 1~100MHz
- Common Mode Rejection:
-30dB MIN @ 1~100MHz
- Balanced DC Line Current:
350mA MAX @57VDC Continuous
500mA MAX @57VDC For 200 Millseconds.
- Hipot Test: 1500Vrms
- Operating Temperature Range: 0°C~70°C.



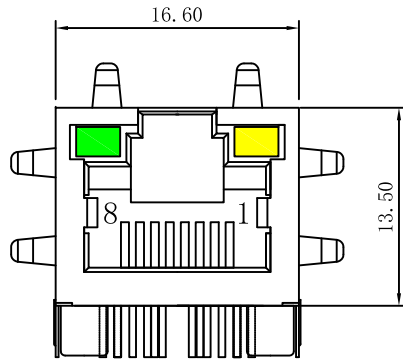
Emitting Color	λ p(nm)	VF@IF=20mA	IR @VR=5V
YELLOW	585	1.8~2.4V	10 μ A max
GREEN	565	1.8~2.4V	10 μ A max



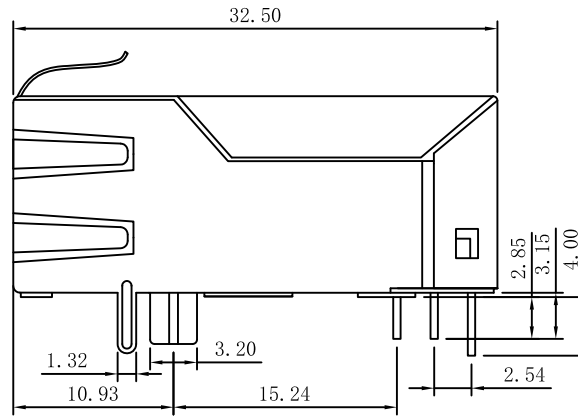
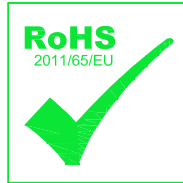
X:X ±0.30	APPD:	LINK-PP INT'L TECHNOLOGY CO., LIMITED
X:XX ±0.25	CHKD:	
X:XXX ±0.05	DR: TOM	TITLE: RJ45 Connector with 10/100 Base-TX Integrated Magnetic For PoE Application
ANGLES ±1°	UNIT: mm	PART NO.: LPJK0010AHNL
	SCALE: 2/1	SHEET: 1/2
	REV: A	DWG NO.: LP16053132

Mechanical :

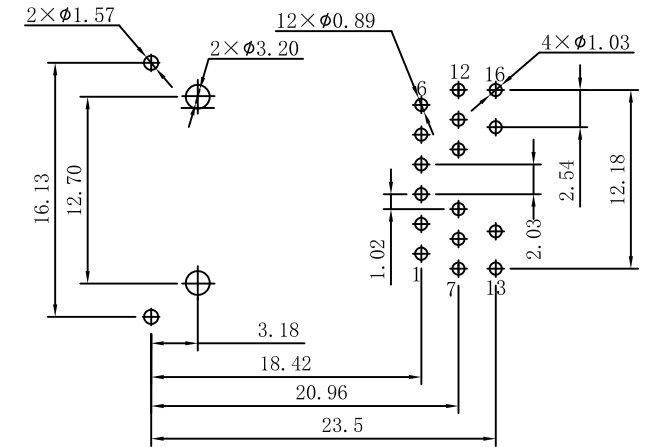
REV.	ECN NO.	DESCRIPTION	DATE	APPD
A	REL		2016-05-31	



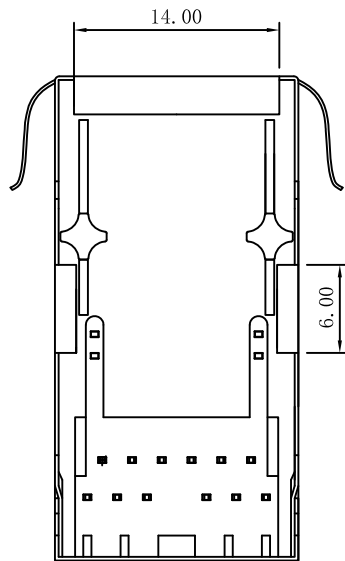
Front Side View



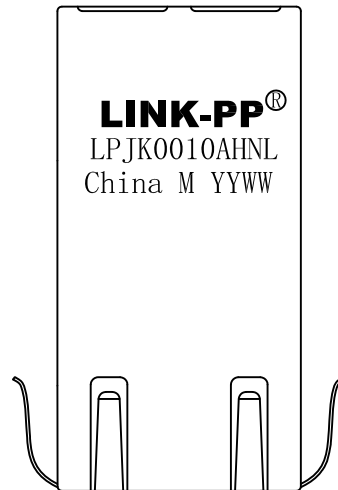
Left Side View



Suggested PCB Layout (Top View)



Bottom Side View



Top Side View

NOTES:

1. Designed to support application, such as SOHO (ADSL modems), LAN-on-Motherboard (LOM), hub and Switches.
2. Meets IEEE 802.3af specification
3. Connector Materials:
Housing: Thermoplastic UL94V-0
Contact/Shield: Copper alloy
Shield plating: Nickel
Contact plating: Gold 6 micro-inches min. In contact area.
4. Wave solder tip temperature: 265°C Max, 5 Sec.
5. UL Certification: File Number E484635.

X:X ±0.30	APPD:	LINK-PP INT'L TECHNOLOGY CO., LIMITED
X:XX ±0.25	CHKD:	
X:XXX ±0.05	DR: TOM	TITLE: RJ45 Connector with 10/100 Base-TX Integrated Magnetic For PoE Application
ANGLES ±1°	UNIT: mm	PART NO.: LPJK0010AHNL
	SCALE: 2/1	SHEET: 2/2
	REV: A	DWG NO.: LP16053132