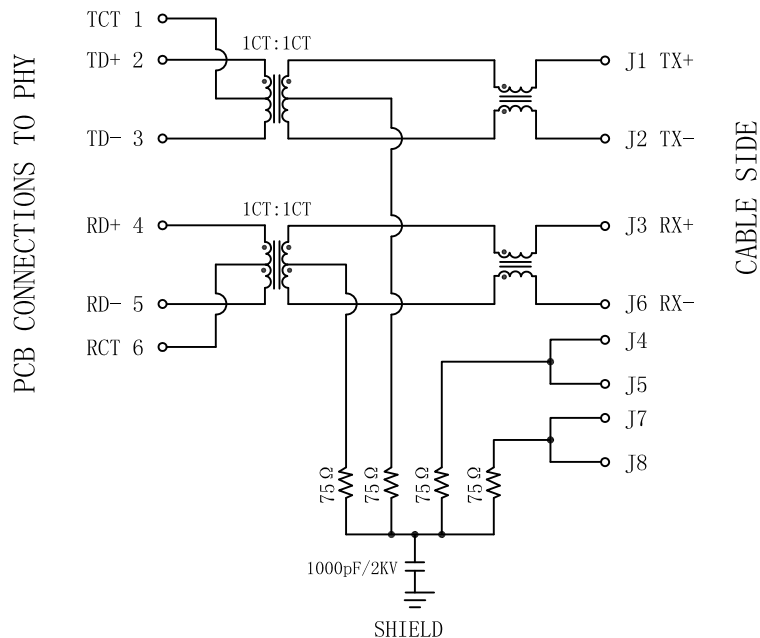


Schematic:

| REV. | ECN NO. | DESCRIPTION | DATE | APPD |
|------|---------|-------------|------------|------|
| A | REL | | 2011/07/10 | |



Electrical Specifications @25°C

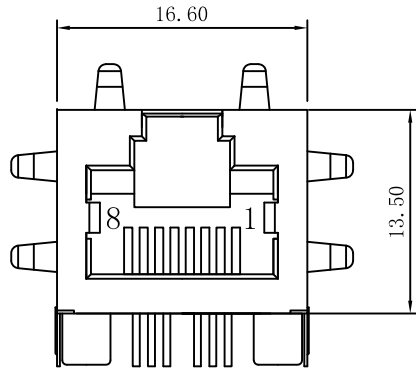
- OCL: 350uH MIN
@100KHz/100mVrms 8mA DC Bias
- Turns Ratio:
TX=1CT:1CT RX=1CT:1CT
- Insertion Loss:
1~100MHz: -1.0dB MAX
- Return Loss(dB MIN):
1~30MHz: -18
30~60MHz: $-[18+20\text{LOG}(F/30\text{MHz})]$
60~80MHz: -12
- Crosstalk(TX - RX):
0.5~1MHz: -70 dB MIN
10MHz: -50 dB MIN
30MHz: -45 dB MIN
50MHz: -40 dB MIN
100MHz: -35 dB MIN
- CM To CM REJ:
0.1~1MHz: -70 dB MIN
10MHz: -47 dB MIN
30MHz: -42 dB MIN
60MHz: -37 dB MIN
100MHz: -30 dB MIN
- CM To DM REJ:
0.1~1MHz: -70 dB MIN
10MHz: -60 dB MIN
30MHz: -50 dB MIN
60MHz: -45 dB MIN
100MHz: -40 dB MIN
- Hipot:1500Vrms
- Operating Temperature: 0°C~70°C.



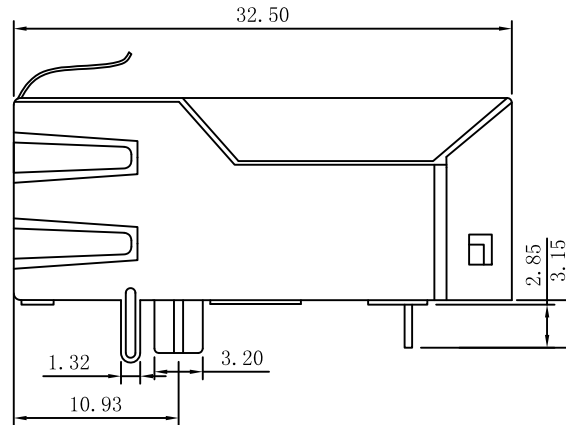
| | | | |
|--------|------------|------------|---|
| X:X | ±0.30 | APPD: | LINK-PP INT'L TECHNOLOGY CO., LIMITED |
| X:XX | ±0.25 | CHKD: | |
| X:XXX | ±0.05 | DR: TOM | TITLE: RJ45 Connector with 10/100 Base-TX Integrated Magnetic |
| ANGLES | ±1° | UNIT: mm | PART NO.: LPJK0005CNL |
| | SCALE: 2/1 | SHEET: 1/2 | REV: A DWG NO.: TRC11050710 |

Mechanical :

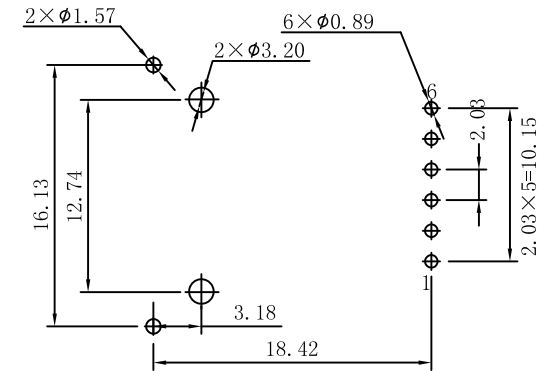
| REV. | ECN NO. | DESCRIPTION | DATE | APPD |
|------|---------|-------------|------------|------|
| A | REL | | 2011/07/10 | |



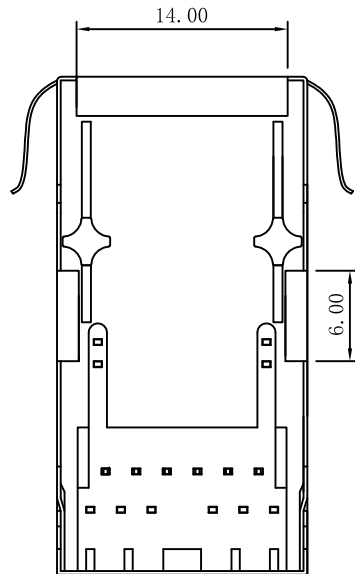
Front Side View



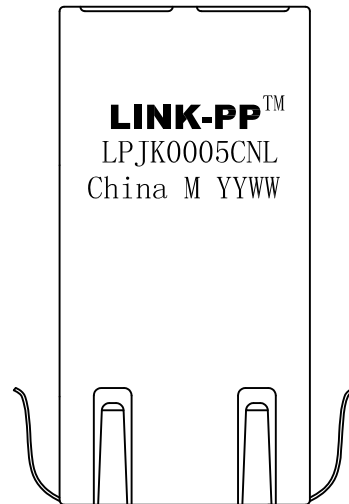
Left Side View



Suggested PCB Layout (Top View)



Bottom Side View



Top Side View



NOTES:

1. Designed to support application, such as SOHO (ADSL modems), LAN-on-Motherboard (LOM), hub and Switches.
2. Meets IEEE 802.3 specification
3. Connector Materials:
Housing: Thermoplastic UL94V-0
Contact/Shield: Copper alloy
Shield plating: Nickel
Contact plating: Gold 6 micro-inches min. In contact area.
4. Wave solder tip temperature: 265°C Max, 5 Sec Max.

| | | | | |
|--------|------------|------------|---|----------------------|
| X:X | ±0.30 | APPD: | LINK-PP INT'L TECHNOLOGY CO., LIMITED | |
| X:XX | ±0.25 | CHKD: | TITLE: RJ45 Connector with 10/100 Base-TX Integrated Magnetic | |
| X:XXX | ±0.05 | DR: TOM | PART NO.: LPJK0005CNL | |
| ANGLES | ±1° | UNIT: mm | | |
| | SCALE: 2/1 | SHEET: 2/2 | REV: A | DWG NO.: TRC11050710 |