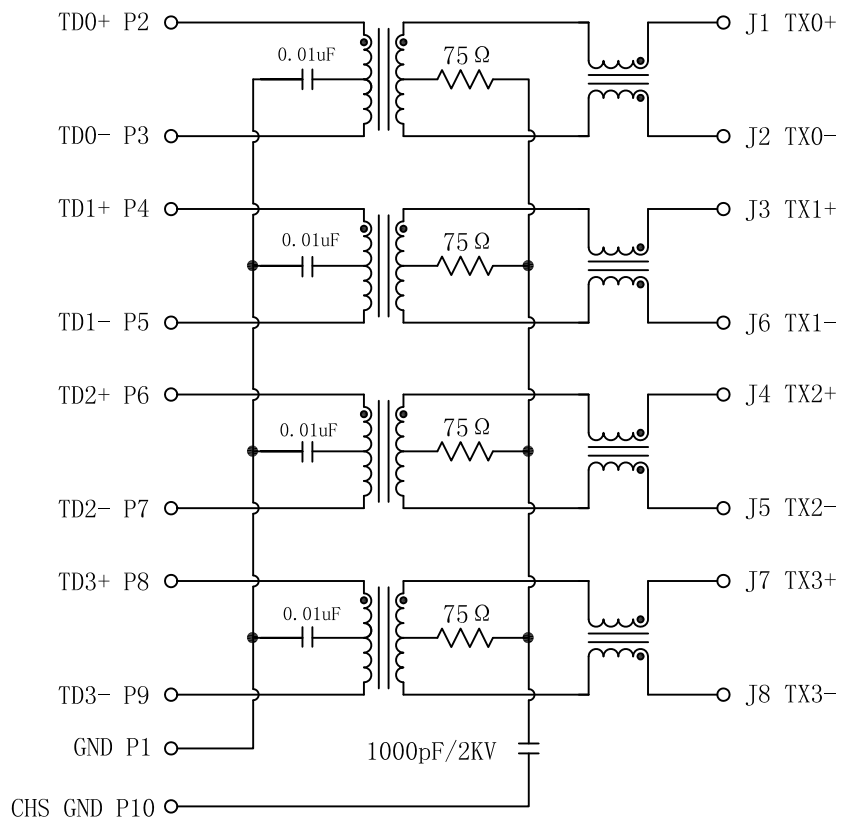


# Schematic:

REV.	ECN NO.	DESCRIPTION	DATE	APPD
A	REL		2008/07/02	

PCB CONNECTIONS



RJ45 CONNECTOR

### Electrical Specification @25°C

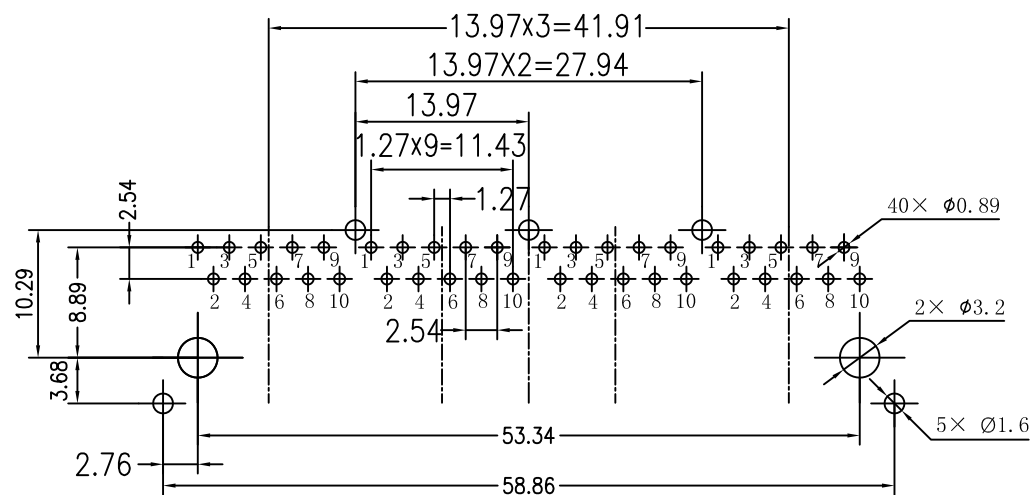
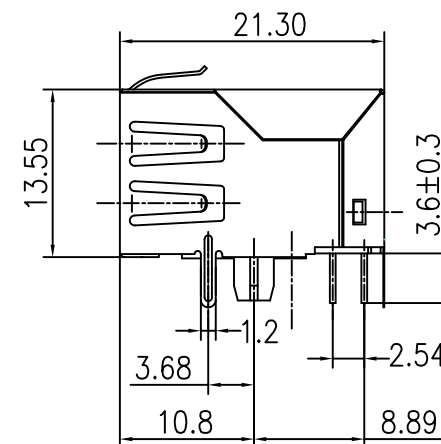
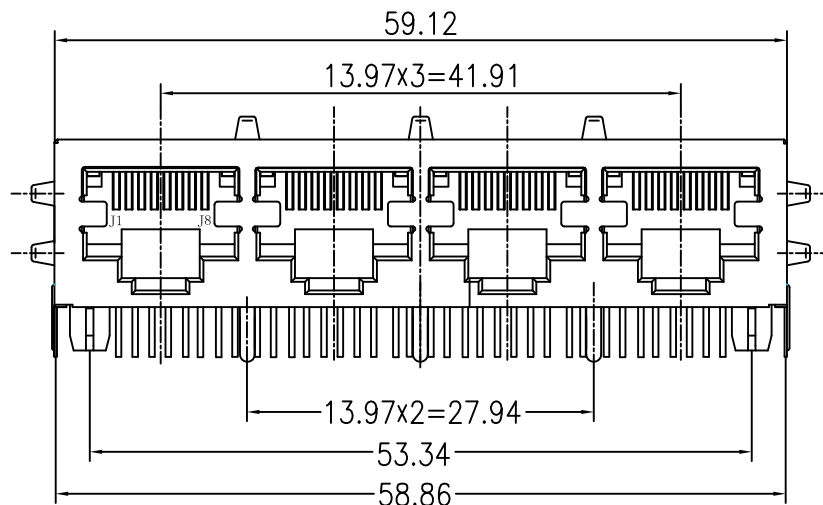
- Turns Ratio ( $\pm 2\%$ ) : 1CT : 1CT
- OCL: 350uH Min  
@100KHz, 0.1V, 8mA DC Bias
- Insertion Loss:  
1~65MHz: -1. dB Max
- Return Loss(dB Min):  
1~40MHz: -18                      60MHz: -14  
80MHz: -12                        100MHz: -10
- Crosstalk(dB Min):  
1~30MHz: -40                      30~60MHz: -35  
60~100MHz: -30
- CMR(dB Min):  
1~50MHz: -30                      50~150MHz: -20
- Hipot: 1500Vrms
- Operating Temperature: 0°C ~ 70°C.



X:X	$\pm 0.30$	APPD:	LINK-PP INT'L TECHNOLOGY CO., LIMITED
X:XX	$\pm 0.25$	CHKD:	
X:XXX	$\pm 0.05$	DR: TOM	TITLE: RJ45 Connector With 1000 Base-TX Integrated Magnetic
ANGLES	$\pm 1^\circ$	UNIT: mm	PART NO.: LPJGF46843CNL
	SCALE: 2/1	SHEET: 1/2	REV: A      DWG: LP08070229

# Mechanical:

REV.	ECN NO.	DESCRIPTION	DATE	APPD
A	REL		2008/07/02	



SUGGESTED PCB LAYOUT (TOP VIEW)

## NOTES:

1. Designed to support application, such as SOHO (ADSL modems), LAN-on-Motherboard (LOM), hub and Switches.
2. Meets IEEE 802.3 specification
3. Connector Materials:  
 Housing: Thermoplastic UL94V-0  
 Contact/Shield: Copper alloy  
 Shield plating: Nickel  
 Contact plating: Gold 6 micro-inches min. In contact area.
4. Wave peak temperature: 260°C, 5Sec.



X:X	±0.30	APPD:	LINK-PP INT'L TECHNOLOGY CO., LIMITED
X:XX	±0.25	CHKD:	
X:XXX	±0.05	DR: TOM	TITLE: RJ45 Connector With 1000 Base-TX Integrated Magnetic
ANGLES	±1°	UNIT: mm	PART NO.: LPJGF46843CNL
	SCALE: 2/1	SHEET: 2/2	REV: A DWG: LP08070229