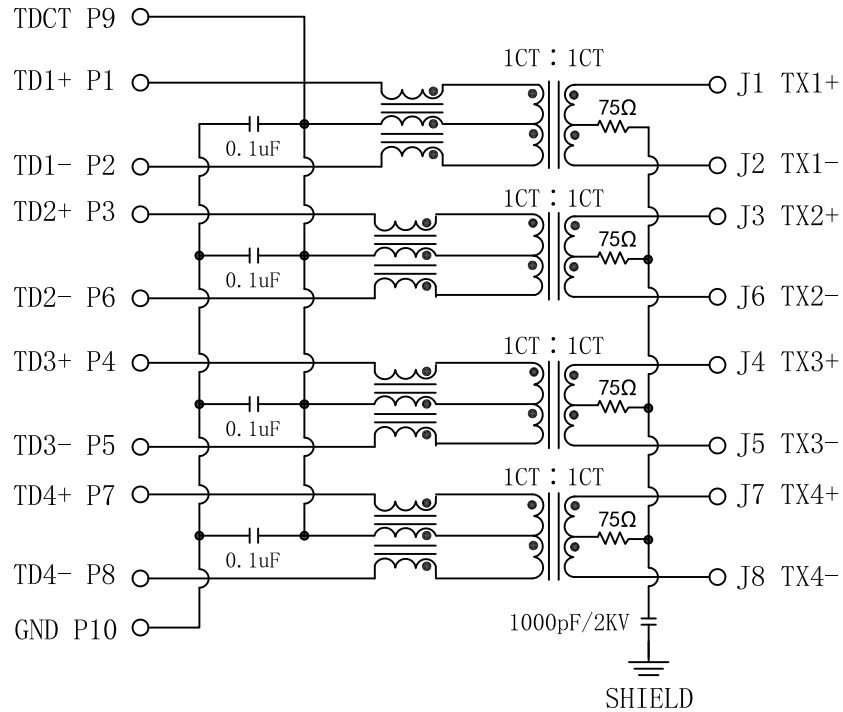


Schematic:

REV.	ECN NO.	DESCRIPTION	DATE	APPD
A	REL		2015-06-26	

PC BOARD CONNECTIONS



RJ45 CONNECTOR

Electrical Specifications @25°C

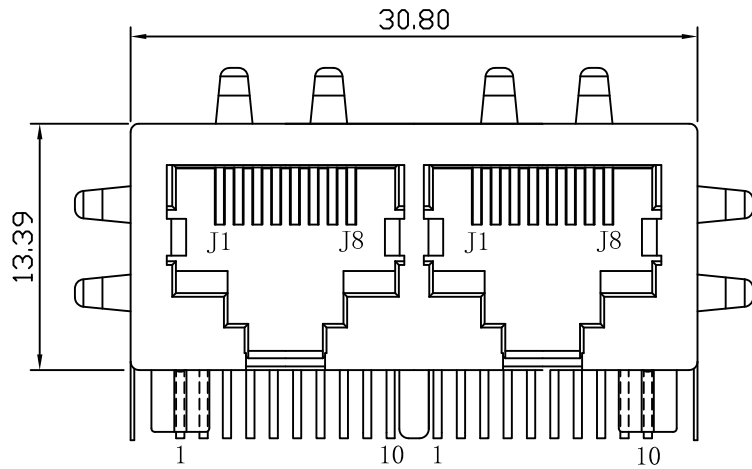
- Turns Ratio ($\pm 2\%$):
TX=1CT:1CT RX=1CT:1CT
- OCL(@100KHz, 100mV, 8mADC): 350uH Min
- Insertion Loss:
1-100MHz:-1.0dB Max
- Return Loss(dB Min):
1-40MHz:-18 40-60MHz:-14
60-80MHz:-12 80-100MHz:-10
- Crosstalk:
1-100MHz:-30dB Typ
- CMR:
1-100MHz:-35 dB Typ
- Isolation: 1500Vrms
- Operating Temperature: 0°C ~ 70°C.



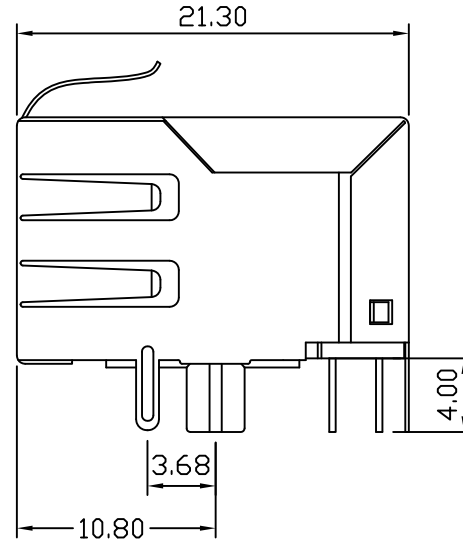
X:X	± 0.30	APPD:	LINK-PP INT'L TECHNOLOGY CO., LIMITED
X:XX	± 0.25	CHKD:	
X:XXX	± 0.05	DR: TOM	TITLE: 1*2 RJ45 Connector with 1000 BASE-T Integrated Magnetics
ANGLES	$\pm 1^\circ$	UNIT: mm	PART NO.: LPJGF26856CNL
	SCALE: 2/1	SHEET: 1/2	REV: A DWG NO.: LP15091432

Mechanical:

REV.	ECN NO.	DESCRIPTION	DATE	APPD
A	REL		2015-06-26	



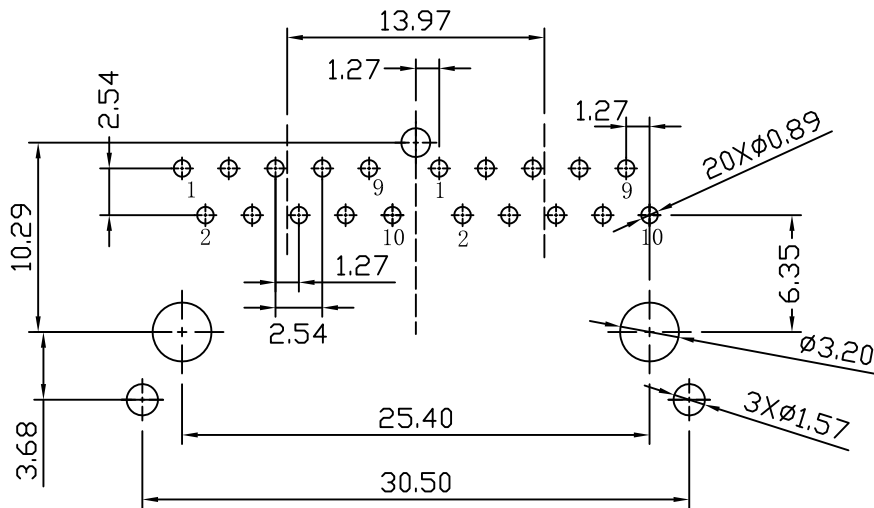
Front Side View



Left Side View



Top Side View



SUGGESTED PCB LAYOUT(TOP VIEW)

NOTES:

1. Meets IEEE 802.3 specification
2. Connector Materials:
 Housing Material: Thermoplastic PBT+30%G.F UL94V-0
 Contact Material: Phosphor Bronze C5210R-EH Thickness=0.35mm
 Pins: Brass C2680R-H Thickness=0.35mm
 Shield: SUS 201-1/2H Thickness=0.2mm
 Contact plating: Gold 6 micro-inches min. In contact area.
3. Wave solder tip temperature: 265°C Max, 5 Sec.
4. UL Certification: File Number E484635.



X:X ±0.30	APPD:	LINK-PP INT'L TECHNOLOGY CO., LIMITED
X:XX ±0.25	CHKD:	
X:XXX ±0.05	DR: TOM	TITLE: 1*2 RJ45 Connector with 1000 BASE-T Integrated Magnetics
ANGLES ±1°	UNIT: mm	PART NO.: LPJGF26856CNL
	SCALE: 2/1	SHEET: 2/2
	REV: A	DWG NO.: LP15091432