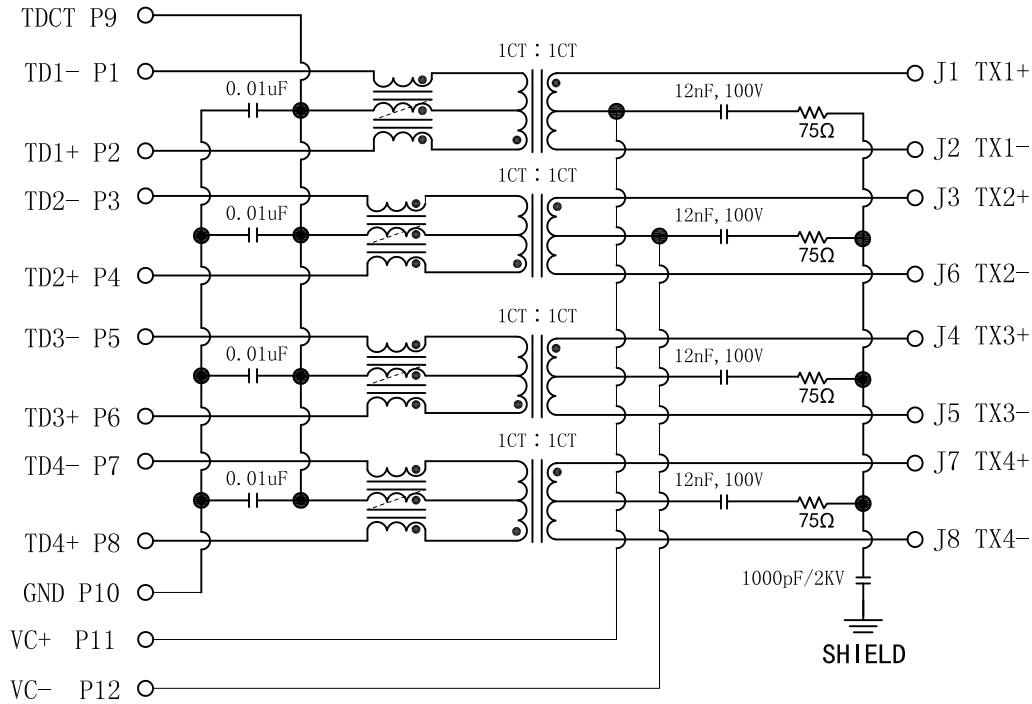


Schematic:

REV.	ECN NO.	DESCRIPTION	DATE	APPD
A	REL		2011/08/02	

PC BOARD CONNECTIONS



RJ45 CONNECTOR

Electrical Specifications @25°C

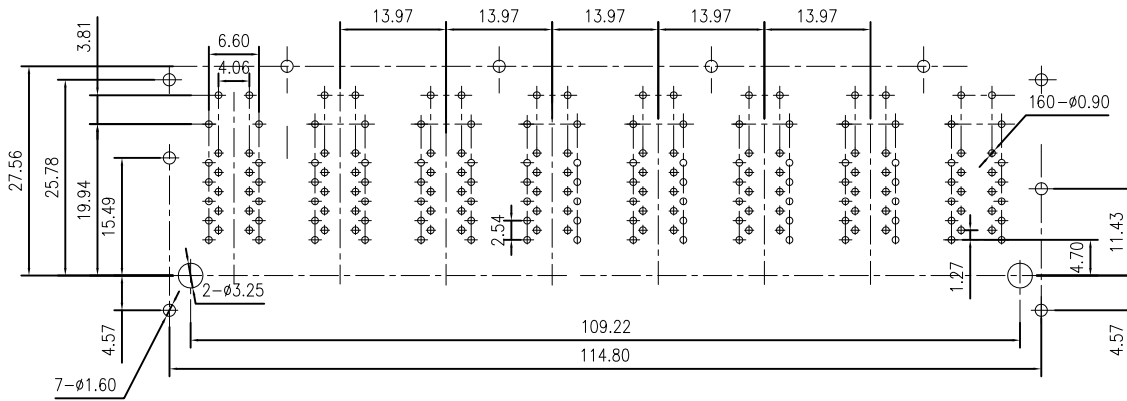
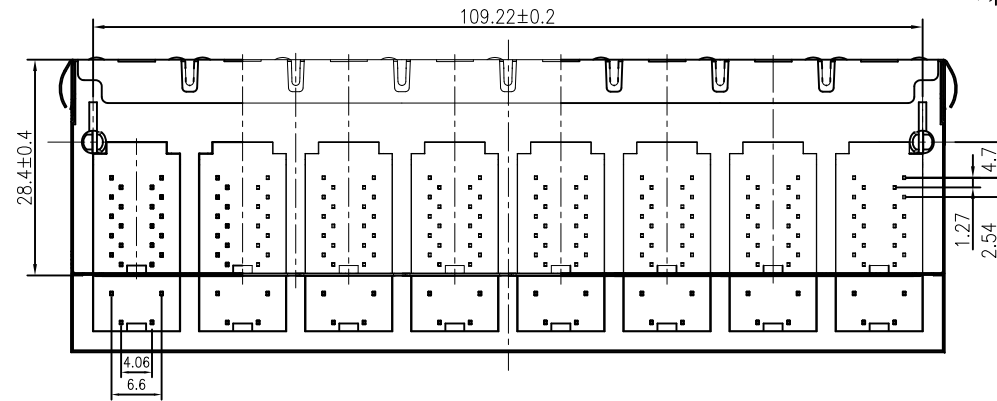
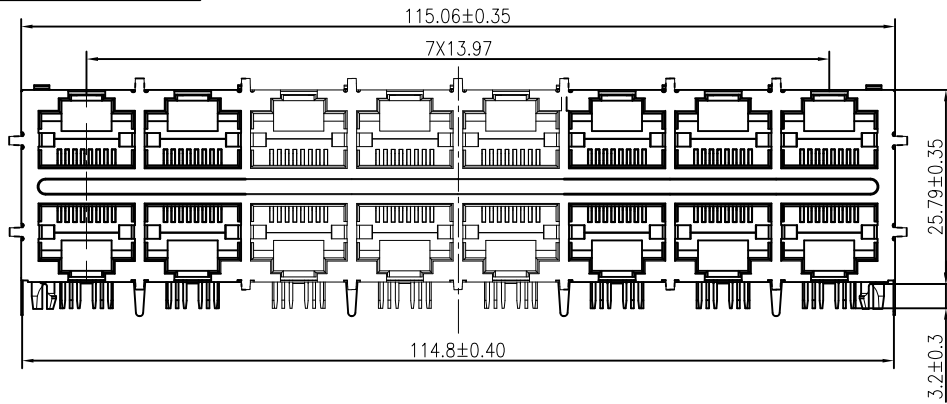
- Inductance: 350uH Min
@ 100KHz, 0.1V, 8mA DC BIAS
- Turns Ratio ($\pm 2\%$): 1CT : 1CT
- Insertion Loss (dB Max):
1-100MHz: -1.0
- Return Loss (dB Min):
1-30MHz: -18 30-60MHz: -16
60-100MHz: -12
- Crosstalk:
1-100MHz: -30dB Min
- Common Mode Rejection:
1-100MHz: -30dB Min
- Hipot: 1500Vrms/0.5A.
- Operating Temperature: -20°C ~ 70°C.



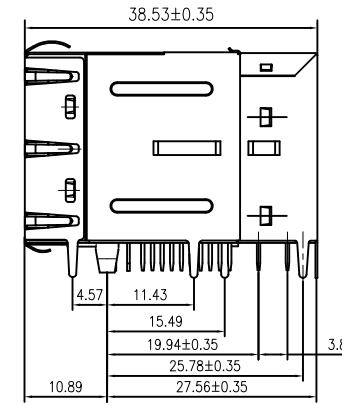
X:X	± 0.25	APPD:	LINK-PP	
X:XX	± 0.20	CHKD:	LINK-PP INT'L TECHNOLOGY CO., LIMITED	
X:XXX	± 0.05	DR: TOM	TITLE: RJ45 .Transformer.1000 Base-T. 2x8 Port For PoE Application	
ANGLES	$\pm 1^\circ$	UNIT: mm	PART NO.: LPJG87012CNL	
	SCALE: 2/1	SHEET: 1/2	REV: A	DWG NO.: LP14071002

Mechanical :

REV.	ECN NO.	DESCRIPTION	DATE	APPD
A	REL		2014/07/10	

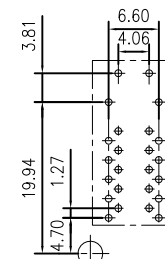


SUGGESTED PCB LAYOUT <TOP VIEW>



NOTES:

1. Designed to support application, such as SOHO (ADSL modems), LAN-on-Motherboard (LOM), hub and Switches.
2. Meets IEEE 802.3af specification
3. PoE rating: 15W, 350mA, 48V (For PoE Products only)
4. Connector Materials:
Housing: Thermoplastic UL94V-0
Contact/Shield: Copper alloy
Shield plating: Nickel
Contact plating: Gold 6 micro-inches min. In contact area.
5. Wave solder tip temperature: 265°C Max
Wave solder tip temperature time: 5 Sec Max



PIN-OUT DETAIL

X:X	±0.25	APPD:	LINK-PP	
X:XX	±0.20	CHKD:	LINK-PP INT'L TECHNOLOGY CO., LIMITED	
X:XXX	±0.05	DR: TOM	TITLE: RJ45 .Transformer.1000 Base-T. 2×8 Port For PoE Application	
ANGLES	±1°	UNIT: mm	PART NO.: LPJG87012CNL	
	SCALE: 2/1	SHEET: 2/2	REV: A	DWG NO.: LP14071002