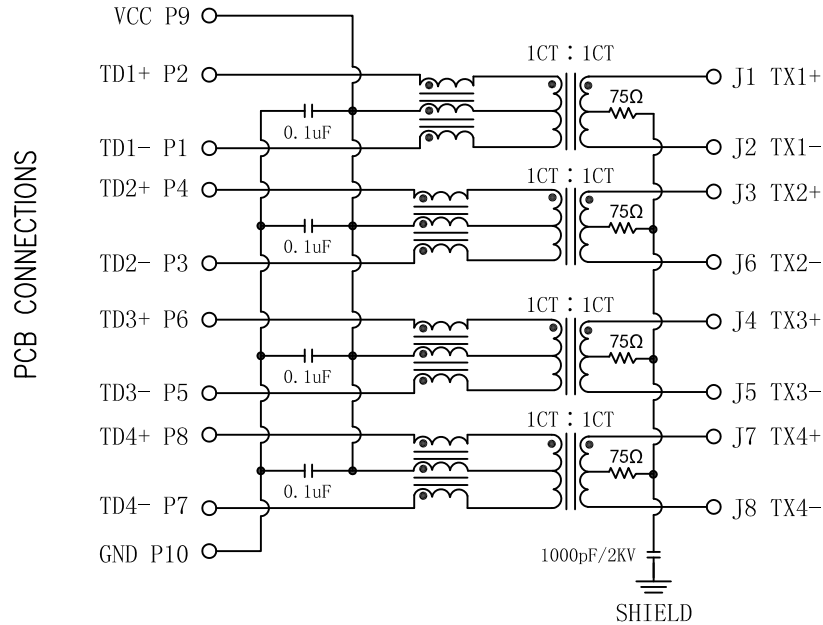


Schematic:

REV.	ECN NO.	DESCRIPTION	DATE	APPD
A	REL		2011/03/30	

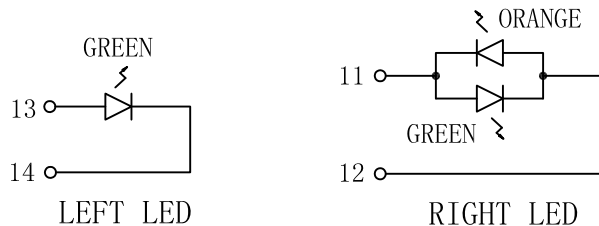


RJ45 CONNECTOR

Electrical Specifications @25°C

- Turns Ratios:
Pri : Sec = 1CT : 1CT
- OCL (@100KHz, 0.1V, 8mA DC Bias):
350uH MIN
- Insertion Loss:
0.5~100MHz: -1.1dB MAX
- Return Loss:
0.5~40MHz: -18dB MIN
40.1~100MHz: -12-20LOG(f/80) dB MIN.
- Crosstalk:
0.5~40MHz: -35dB MIN
40.1~100MHz: -33-20LOG(f/50) dB MIN.
- Common Mode Rejection Ratio:
0.5~100MHz: -30dB MIN
- Hipot Test: 1500Vrms MIN
- Operating Temperature: 0°C ~ 70°C.

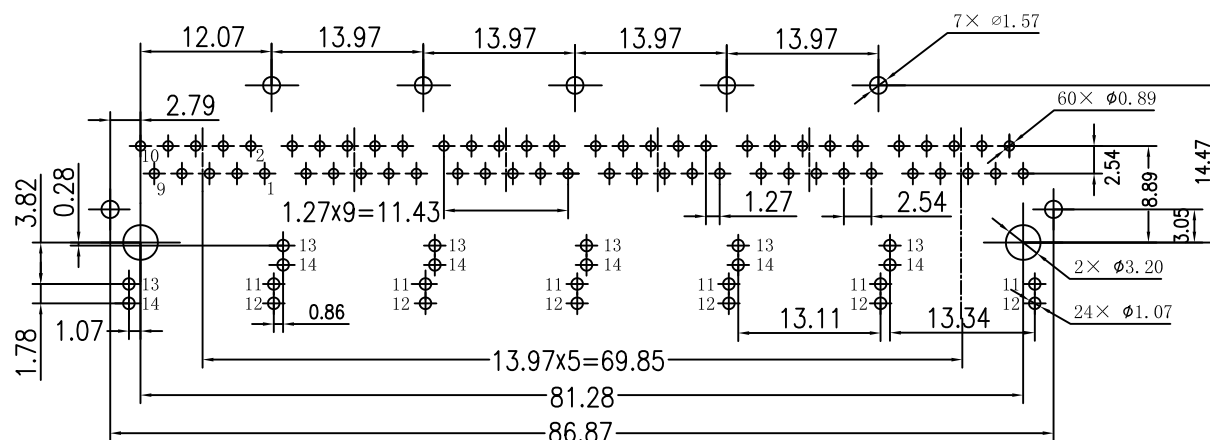
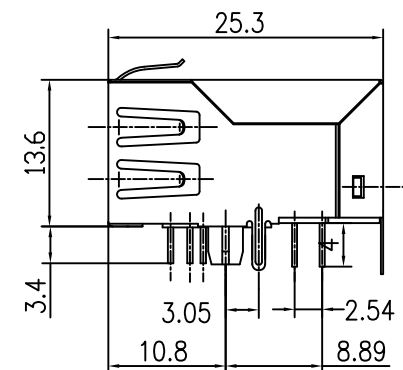
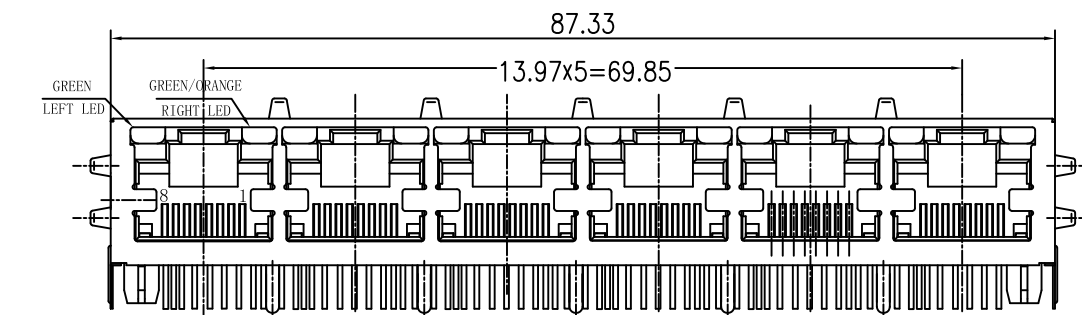
Emitting Color	λ_p (nm)	V _F @I _F =20mA	I _R @V _R =5V
GREEN	565	1.8~2.6V	10 μ A max
ORANGE	610	1.8~2.6V	10 μ A max



X:X	±0.30	APPD:	LINK-PP INT'L TECHNOLOGY CO., LIMITED
X:XX	±0.25	CHKD:	
X:XXX	±0.05	DR: TOM	TITLE: RJ45 Connector With 1000 Base-TX Integrated Magnetic
ANGLES	±1°	UNIT: mm	PART NO.: LPJG68837A63NL
	SCALE: 2/1	SHEET: 1/2	REV: A DWG: LP11033046

Mechanical :

REV.	ECN NO.	DESCRIPTION	DATE	APPD
A	REL		2011/03/30	



SUGGESTED PCB LAYOUT (TOP VIEW)



NOTES:

1. Designed to support application, such as SOHO(ADSL modems), LAN-on-Motherboard (LOM), hub and Switches.
2. Meets IEEE 802.3 specification
3. Connector Materials:
Housing: Thermoplastic UL94V-0
Contact/Shield: Copper alloy
Shield plating: Nickel
Contact plating: Gold 6 micro-inches min. In contact area.
4. Wave solder tip temperature: 265°C Max, 5 Sec.
5. UL Certification: File Number E484635.

X:X	±0.30	APPD:	LINK-PP INT'L TECHNOLOGY CO., LIMITED	
X:XX	±0.25	CHKD:	TITLE: RJ45 Connector With 1000 Base-TX Integrated Magnetic	
X:XXX	±0.05	DR: TOM	PART NO.: LPJG68837A63NL	
ANGLES	±1°	UNIT: mm	DWG: LP11033046	
	SCALE: 2/1	SHEET: 2/2	REV: A	