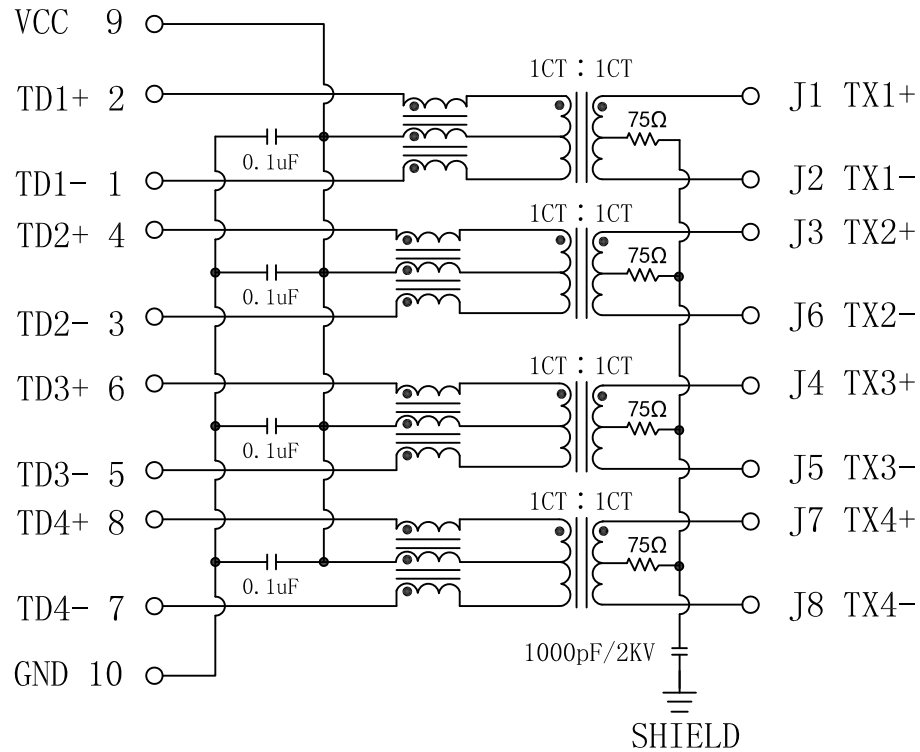


# Schematic:

REV.	ECN NO.	DESCRIPTION	DATE	APPD
A	REL		2012/06/14	

PCB CONNECTIONS



RJ45 CONNECTOR

## Electrical Specifications @25°C

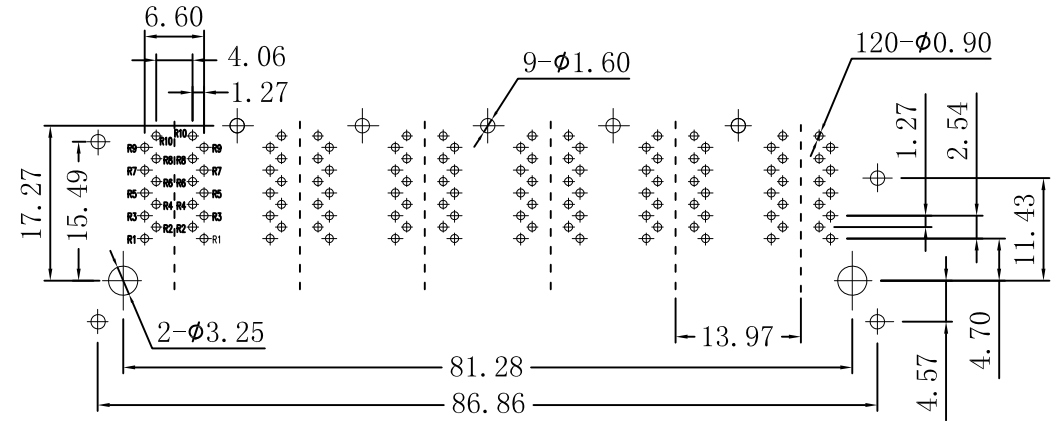
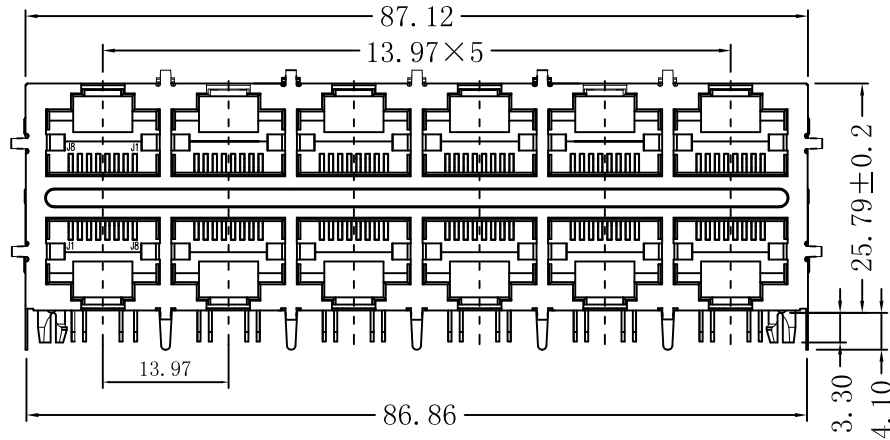
1. OCL (@100KHz, 100mVrms, 8mA DC Bias):  
350uH min
2. Turns Ratio: 1CT : 1CT ±2%
3. Insertion Loss:  
1~100MHz: -1.0dB Max
4. Return Loss (dB Min @100Ω):  
1~30MHz: -18  
30~60MHz: -16  
60~80MHz: -12  
80~100MHz: -10
5. Crosstalk:  
1~100MHz: -30dB Min
6. Common Mode Rejection  
1~100MHz: -30dB Min
7. Hi-Pot: 1500Vrms @60Hz
8. Operating Temperature: 0°C ~ 70°C.



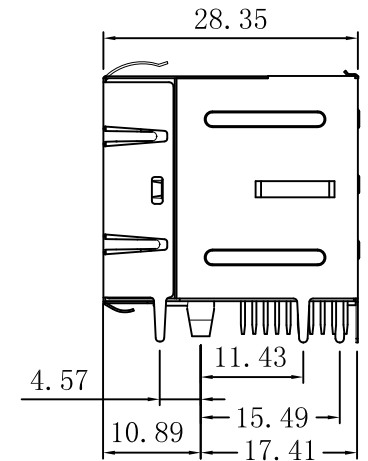
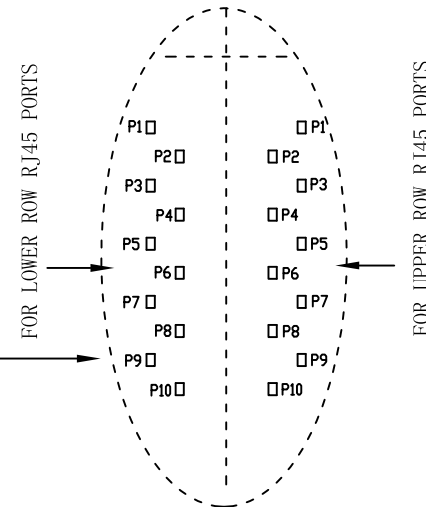
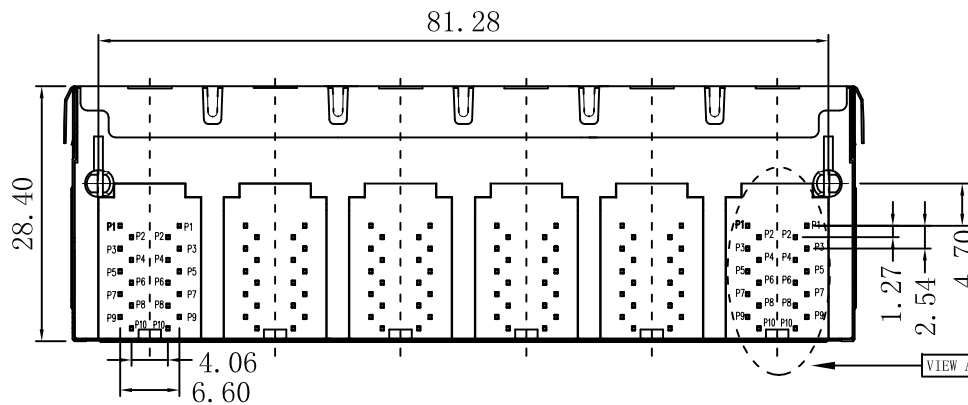
X:X	±0.30	APPD:	LINK-PP INT'L TECHNOLOGY CO., LIMITED	
X:XX	±0.25	CHKD:	TITLE: RJ45 .Transformer. 1000 Base-T. 2×6 Ports	
X:XXX	±0.05	DR: TOM	PART NO.: LPJG67537CNL	
ANGLES	±1°	UNIT: mm	DWG NO.: LP12061401	
	SCALE: 2/1	SHEET: 1/2	REV: A	

# Mechanical :

REV.	ECN NO.	DESCRIPTION	DATE	APPD
A	REL		2012/06/14	



SUGGESTED PCB LAYOUT (TOP VIEW)



NOTES:

1. Designed to support application, such as SOHO (ADSL modems), LAN-on-Motherboard (LOM), hub and Switches.
2. Meets IEEE 802.3 specification
3. Connector Materials:  
Housing: Thermoplastic UL94V-0  
Contact/Shield: Copper alloy  
Shield plating: Nickel  
Contact plating: Gold 6 micro-inches min. in contact area.
4. Wave solder tip temperature: 265°C Max, 5 Sec.
5. UL Certification: File Number



X:X	±0.30	APPD:	LINK-PP INT'L TECHNOLOGY CO., LIMITED	
X:XX	±0.25	CHKD:	TITLE: RJ45 Transformer. 1000 Base-T. 2x6 Ports	
X:XXX	±0.05	DR: TOM	PART NO.: LPJG67537CNL	
ANGLES	±1°	UNIT: mm	DWG NO.: LP12061401	
	SCALE: 2/1	SHEET: 2/2	REV: A	