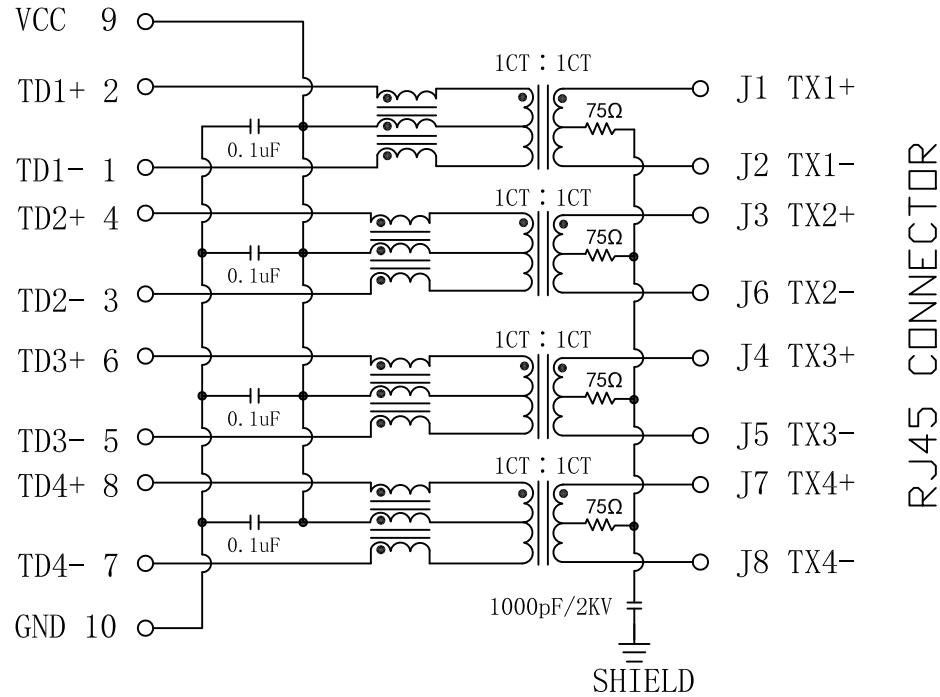


Schematic:

REV.	ECN NO.	DESCRIPTION	DATE	APPD
A	REL		2011/11/02	

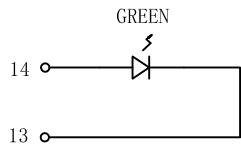
PCB CONNECTIONS



RJ45 CONNECTOR

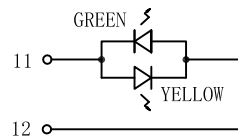
Electrical Specifications @25°C

1. OCL (@100KHz, 100mVrms, 8mA DC Bias):
350uH min
2. Turns Ratio: 1CT : 1CT ±2%
3. Insertion Loss:
1~100MHz: -1.0dB Max
4. Return Loss (dB Min @100Ω):
1~30MHz: -18
30~60MHz: -16
60~80MHz: -12
80~100MHz: -10
5. Crosstalk:
1~100MHz: -30dB Min
6. Common Mode Rejection
1~100MHz: -30dB Min
7. Hi-Pot: 1500Vrms @60Hz
8. Operating Temperature: 0°C ~ 70°C.



LEFT LED

LED POLARITY		COLOR
PIN 14	PIN 13	
+	-	GREEN



RIGHT LED

LED POLARITY		COLOR
PIN 11	PIN 12	
+	-	YELLOW
-	+	GREEN

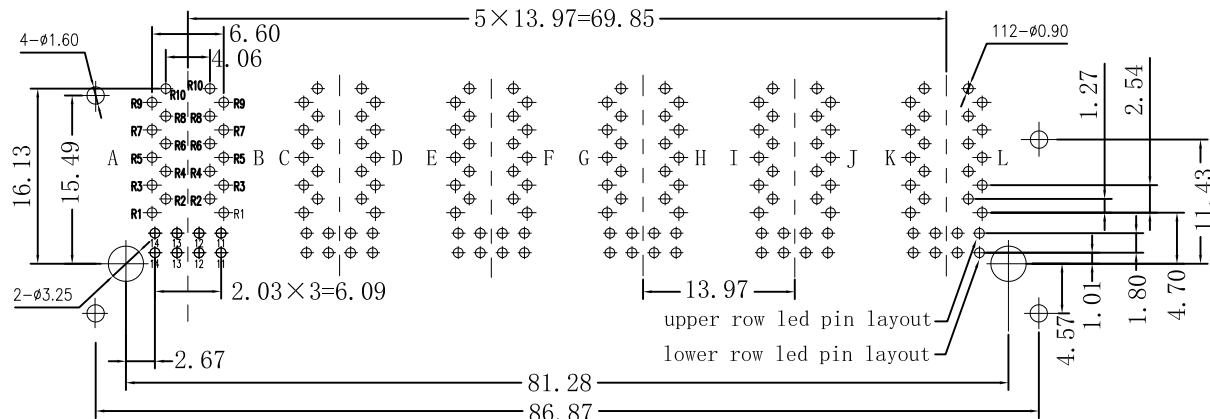
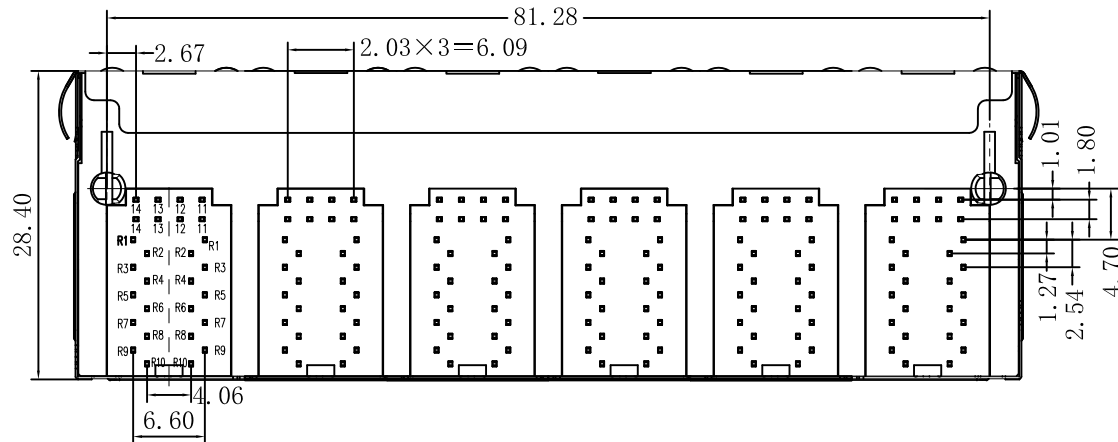
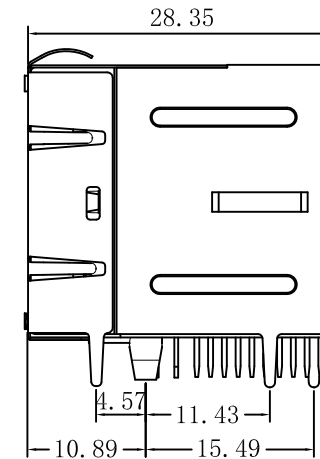
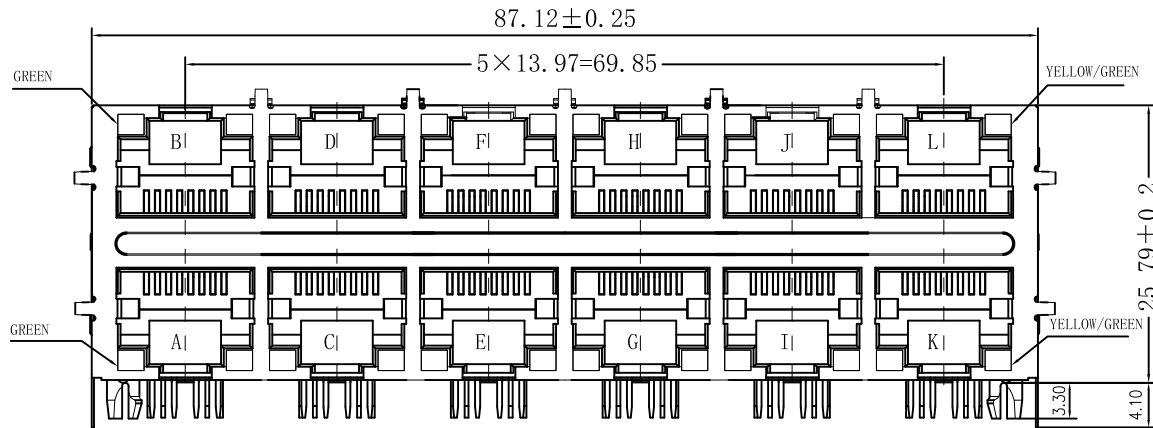


Emitting Color	λ p(nm)	VF@IF=20mA	IR @VR=5V
GREEN	565	1.8~2.6V	10 μ A max
YELLOW	585	1.8~2.6V	10 μ A max

X:X	±0.30	APPD:	LINK-PP INT'L TECHNOLOGY CO., LIMITED
X:XX	±0.25	CHKD:	
X:XXX	±0.05	DR: TOM	TITLE: RJ45 Transformer & 2×6. 1000 Base-T W/LED
ANGLES	±1°	UNIT: mm	PART NO.: LPJG67537A8NL-2
	SCALE: 2/1	SHEET: 1/2	REV: A
			DWG NO.: LP11110207

Mechanical :

REV.	ECN NO.	DESCRIPTION	DATE	APPD
A	REL		2011/11/02	



SUGGESTED PCB LAYOUT (TOP VIEW)

NOTES:

1. Designed to support application, such as SOHO (ADSL modems), LAN-on-Motherboard (LOM), hub and Switches.
2. Meets IEEE 802.3 specification
3. Connector Materials:
Housing: Thermoplastic UL94V-0
Contact/Shield: Copper alloy
Shield plating: Nickel
Contact plating: Gold 6 micro-inches min. In contact area.
4. Wave solder tip temperature: 265°C Max, 5 Sec.
5. UL Certification: File Number E484635.

X:X	±0.30	APPD:	LINK-PP INT'L TECHNOLOGY CO., LIMITED
X:XX	±0.25	CHKD:	
X:XXX	±0.05	DR: TOM	TITLE: RJ45 Transformer & 2×6. 1000 Base-T W/LED
ANGLES	±1°	UNIT: mm	PART NO.: LPJG67537A8NL-2
	SCALE: 2/1	SHEET: 2/2	REV: A DWG NO.: LP11110207