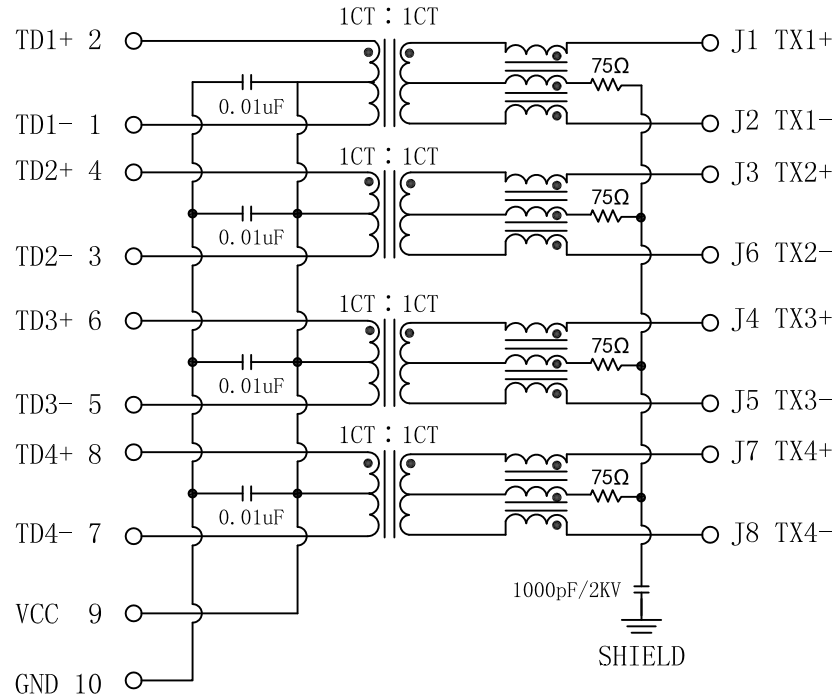


Schematic:

REV.	ECN NO.	DESCRIPTION	DATE	APPD
A	REL		2012/11/30	

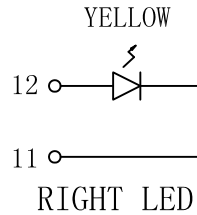
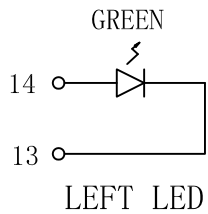
PCB CONNECTIONS



RJ45 CONNECTOR

Electrical Specifications @25°C

- Turns Ratio: (PRI : SEC) 1CT : 1CT ±2%
- OCL (@100KHz, 0.1V, 8mA DC BIAS):
350uH MIN
- Insertion Loss:
100KHz: -1.2dB MAX
1~125MHz: -1.4dB MAX
- Return Loss:
0.1~40MHz: -15dB MIN
40~100MHz: -12+20LOG(f/80) dB MIN.
- Crosstalk:
1MHz: -40dB MIN
10~100MHz: -40+10LOG(f/10) dB MIN.
- CMRR:
2MHz: -50dB MIN
30~200MHz: -15+20LOG(f/200) dB MIN
- Hipot Test: 1500Vrms MIN
- Operating Temperature: -40°C TO +85°C.



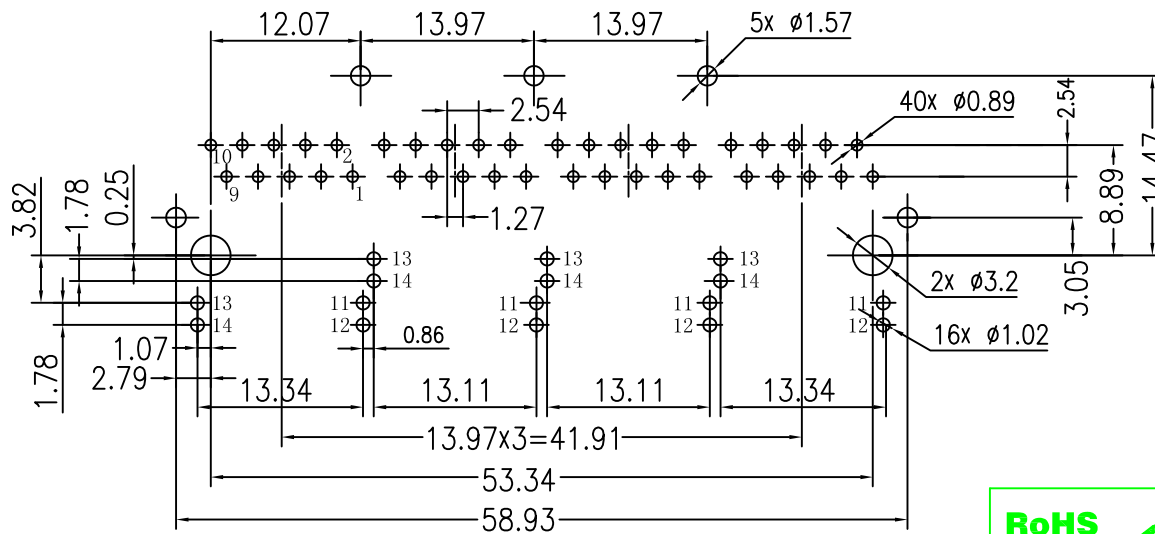
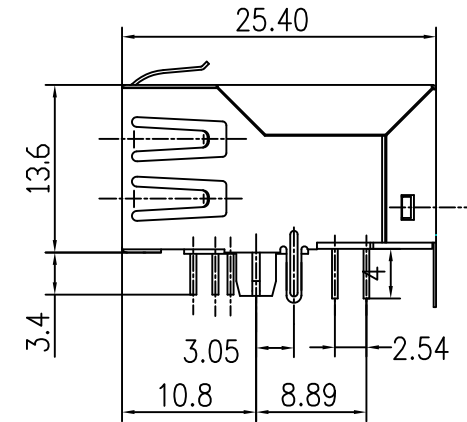
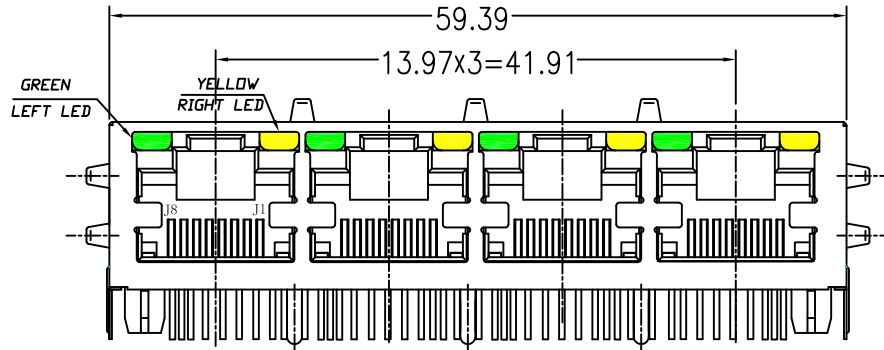
Emitting Color	λ p(nm)	VF@IF=20mA	IR @VR=5V
Green	570	1.8~2.6V	10 μA max
Yellow	590	1.8~2.6V	10 μA max



X:X ±0.30	APPD:	LINK-PP INT'L TECHNOLOGY CO., LIMITED
X:XX ±0.25	CHKD:	
X:XXX ±0.05	DR: TOM	TITLE: RJ45 Connector With 1000 Base-TX Integrated Magnetic
ANGLES ±1°	UNIT: mm	PART NO.: LPJG49883AHNL
	SCALE: 2/1	SHEET: 1/2
	REV: A	DWG: LP12120110

Mechanical :

REV.	ECN NO.	DESCRIPTION	DATE	APPD
A	REL		2012/12/01	



SUGGESTED PCB LAYOUT (TOP VIEW)



NOTES:

1. Designed to support application, such as SOHO (ADSL modems), LAN-on-Motherboard (LOM), hub and Switches.
2. Meets IEEE 802.3 specification
3. Connector Materials:
 Housing: Thermoplastic UL94V-0
 Contact/Shield: Copper alloy
 Shield plating: Nickel
 Contact plating: Gold 6 micro-inches min. In contact area.
4. Wave solder tip temperature: 265°C Max
 Wave solder tip temperature time: 5 Sec Max

X:X	±0.30	APPD:	LINK-PP INT'L TECHNOLOGY CO., LIMITED	
X:XX	±0.25	CHKD:	TITLE: RJ45 Connector With 1000 Base-TX Integrated Magnetic	
X:XXX	±0.05	DR: TOM	PART NO.: LPJG49883AHNL	
ANGLES	±1°	UNIT: mm		
	SCALE: 2/1	SHEET: 2/2	REV: A	DWG: LP12120110