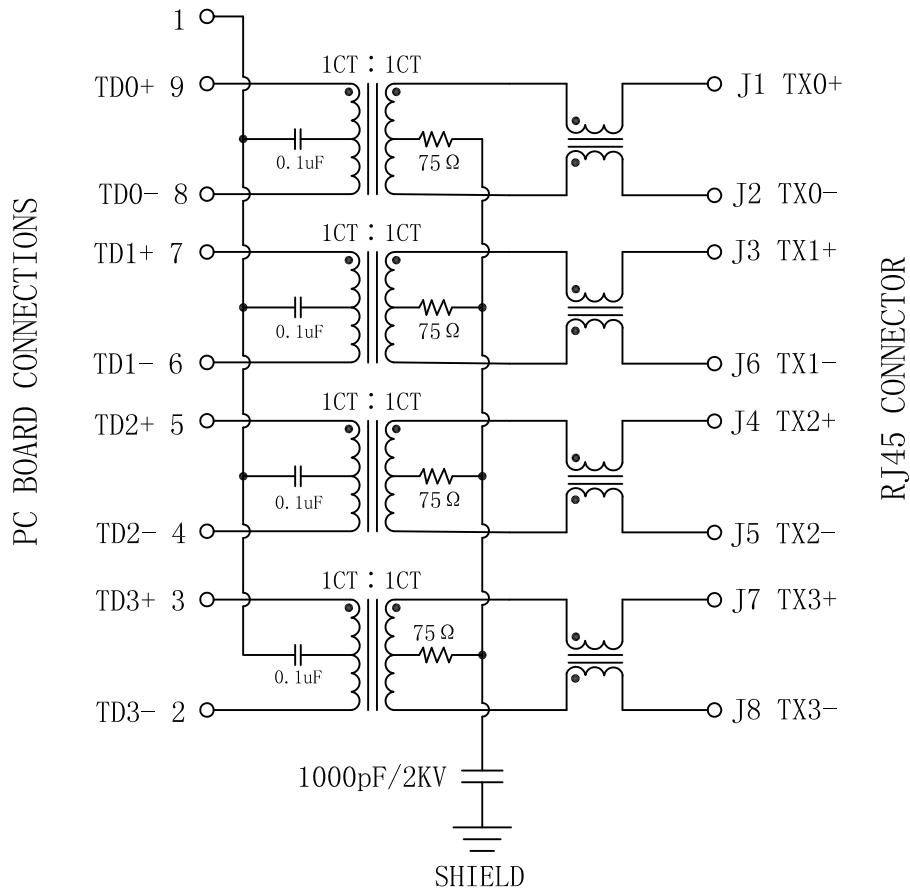


Schematic:

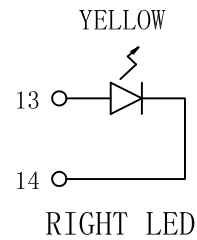
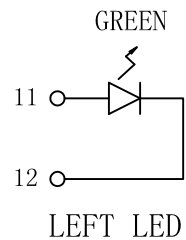
REV.	ECN NO.	DESCRIPTION	DATE	APPD
A	REL		2021-03-16	



ELECTRICAL SPECIFICATIONS @25°C

- Turn Ratio($\pm 5\%$):
Pri : Sec = 1CT : 1CT
- Inductance OCL:
350uH Min @100KHz, 0.1V, 8mADC Bias.
- DC Resistance: 1.2 Ω Max
- Insertion Loss(dB Max):
1~100MHz:-1.0 100~125MHz:-1.2
- Return Loss(dB Min):¹⁰
1~40MHz:-16 40~60MHz:-12
60~80MHz:-10 80~100MHz:-8
- Cross talk(dB Min):
1~100MHz:-30
- Common to Common Mode Attenuation(dB Min):
1~100MHz:-30
- Hipot Test: 1500Vrms Min
- Operating Temperature: -40°C ~ +85°C.

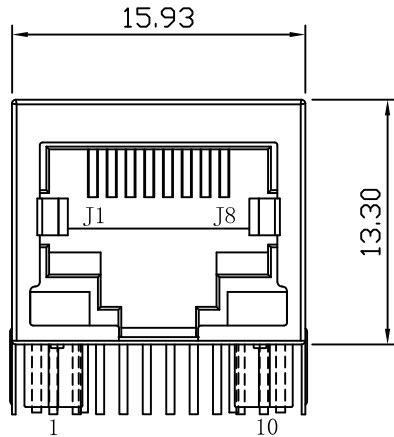
Emitting Color	λ_p (nm)	V _F @I _F =20mA	I _R @V _R =5V
GREEN	565	1.8~2.6V	10 μ A max
YELLOW	585	1.8~2.6V	10 μ A max



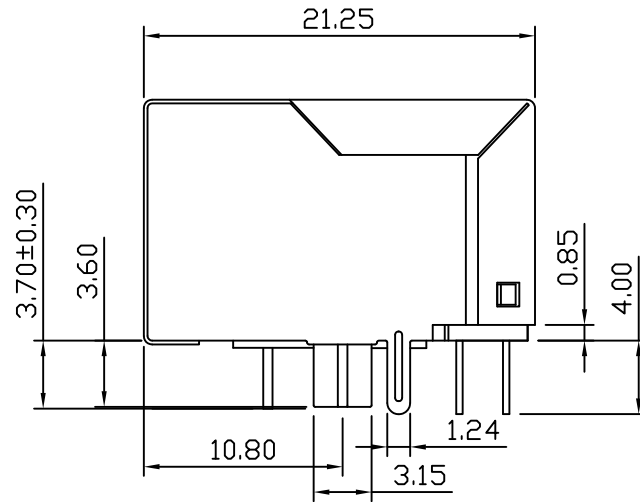
X:X	± 0.30	APPD:	LINK-PP INT'L TECHNOLOGY CO., LIMITED	
X:XX	± 0.25	CHKD:	TITLE: RJ45 Connector with 1000 Base-T Integrated Magnetics	
X:XXX	± 0.05	DR: TOM		
ANGLES	$\pm 1^\circ$	UNIT: mm	PART NO.: LPJG4944HENL	
	SCALE: 2/1	SHEET: 1/2	REV: A	DWG NO.: LP21031632

Mechanical:

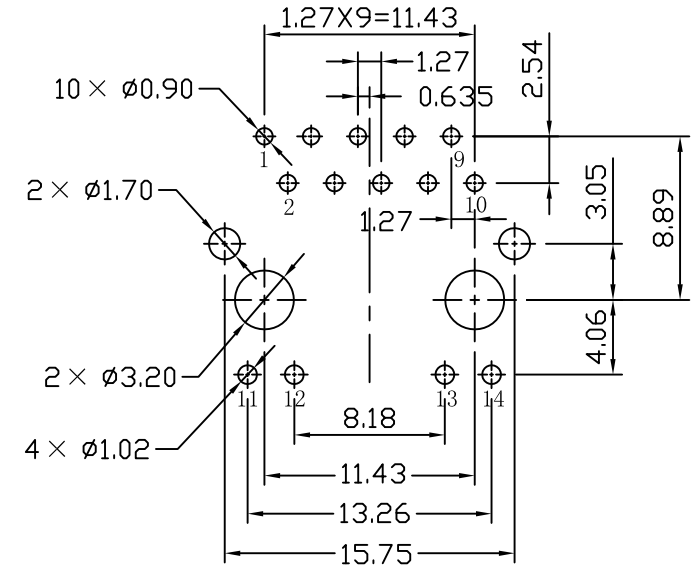
REV.	ECN NO.	DESCRIPTION	DATE	APPD
A	REL		2021-03-16	



Front Side View



Left Side View

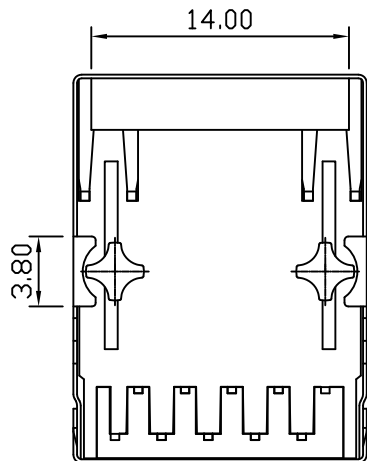


Suggested PCB Layout (Top View)

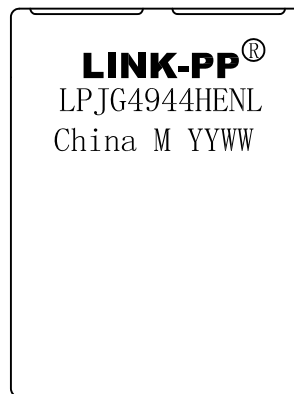


NOTES:

1. Designed to support application, such as SOHO (ADSL modems), LAN-on-Motherboard (LOM), hub and Switches.
2. Meets IEEE 802.3 specification
3. Connector Materials:
 Housing Material: Thermoplastic PBT+30%G.F UL94V-0
 Contact Material: Phosphor Bronze C5210R-EH Thickness=0.35mm
 Pins: Brass C2680R-H Thickness=0.35mm
 Shield: SUS 201-1/2H Thickness=0.2mm
 Contact plating: Gold 6 micro-inches min. In contact area.
4. Wave solder tip temperature: 250°C, 5 Sec.
5. UL Certification: File Number E484635.



Bottom Side View



Top Side View

X:X ±0.30	APPD:	LINK-PP INT'L TECHNOLOGY CO., LIMITED		
X:XX ±0.25	CHKD:	TITLE: RJ45 Connector with 1000 Base-T Integrated Magnetics		
X:XXX ±0.05	DR: TOM	PART NO.: LPJG4944HENL		
ANGLES ±1°	UNIT: mm			
	SCALE: 2/1	SHEET: 2/2	REV: A	DWG NO.: LP21031632