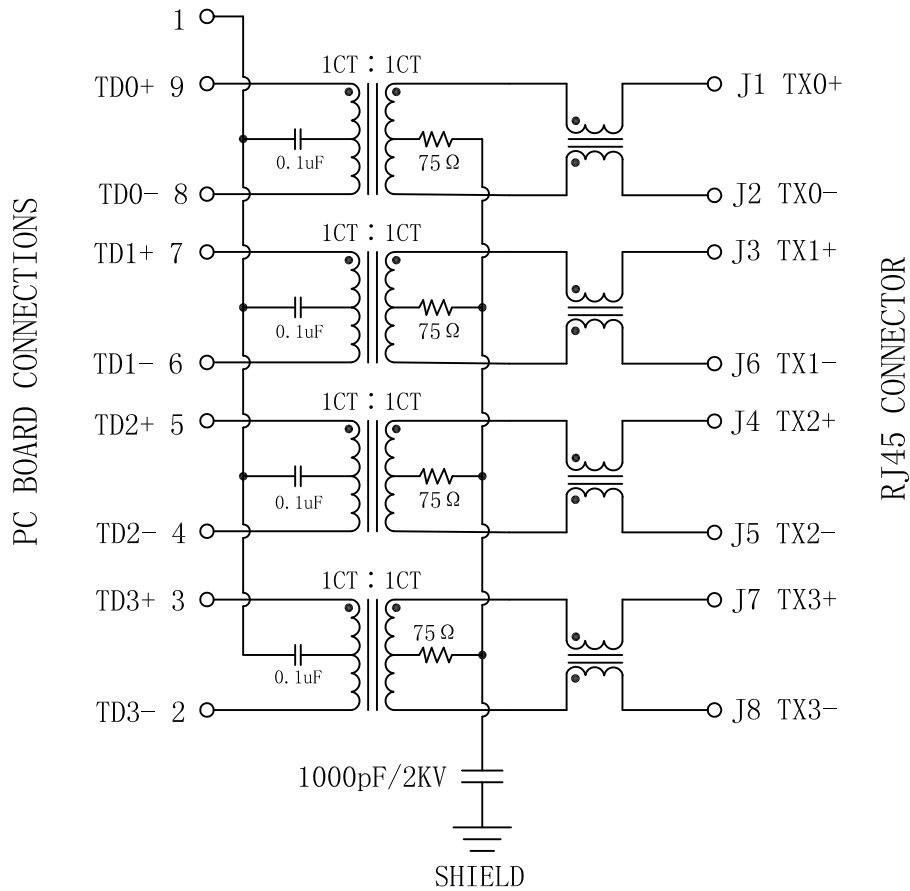


Schematic:

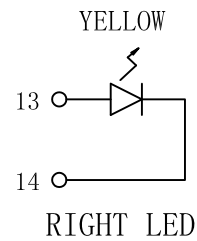
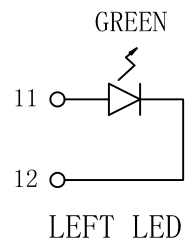
REV.	ECN NO.	DESCRIPTION	DATE	APPD
A	REL		2021-03-16	



ELECTRICAL SPECIFICATIONS @25°C

- Turn Ratio ( $\pm 5\%$ ):  
Pri : Sec = 1CT : 1CT
- Inductance OCL:  
350uH Min @100KHz, 0.1V, 8mADC Bias.
- DC Resistance: 1.2  $\Omega$  Max
- Insertion Loss (dB Max):  
1~100MHz: -1.0      100~125MHz: -1.2
- Return Loss (dB Min):<sup>10</sup>  
1~40MHz: -16      40~60MHz: -12  
60~80MHz: -10      80~100MHz: -8
- Cross talk (dB Min):  
1~100MHz: -30
- Common to Common Mode Attenuation (dB Min):  
1~100MHz: -30
- Hipot Test: 1500Vrms Min
- Operating Temperature: -40°C ~ +85°C.

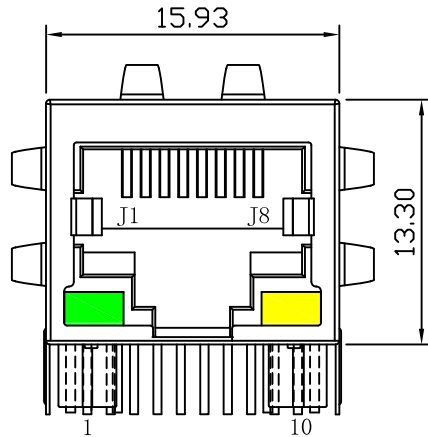
Emitting Color	$\lambda_p$ (nm)	V <sub>F</sub> @I <sub>F</sub> =20mA	I <sub>R</sub> @V <sub>R</sub> =5V
GREEN	565	1.8~2.6V	10 $\mu$ A max
YELLOW	585	1.8~2.6V	10 $\mu$ A max



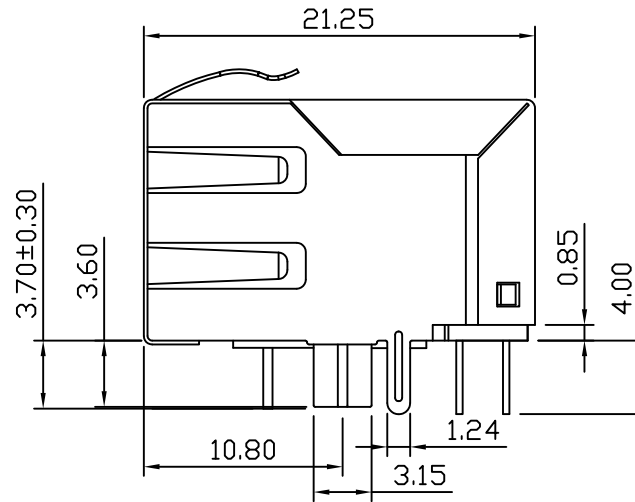
X:X	$\pm 0.30$	APPD:	LINK-PP INT'L TECHNOLOGY CO., LIMITED	
X:XX	$\pm 0.25$	CHKD:	TITLE: RJ45 Connector with 1000 Base-T Integrated Magnetics	
X:XXX	$\pm 0.05$	DR: TOM		
ANGLES	$\pm 1^\circ$	UNIT: mm	PART NO.: LPJG4944GENL	
	SCALE: 2/1	SHEET: 1/2	REV: A	DWG NO.: LP21031602

# Mechanical:

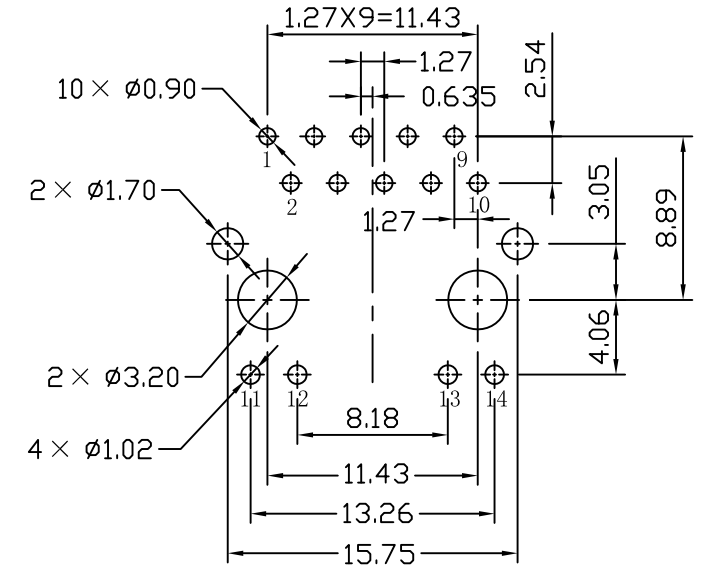
REV.	ECN NO.	DESCRIPTION	DATE	APPD
A	REL		2021-03-16	



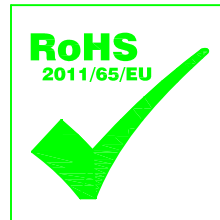
Front Side View



Left Side View

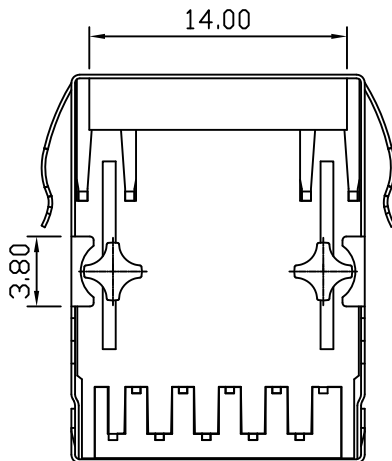


Suggested PCB Layout (Top View)

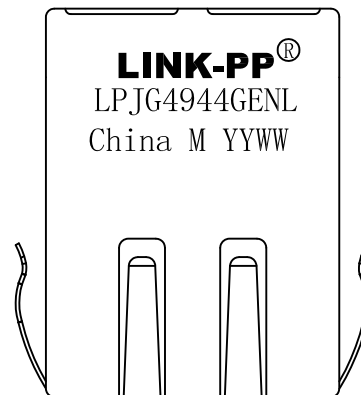


### NOTES:

1. Designed to support application, such as SOHO (ADSL modems), LAN-on-Motherboard (LOM), hub and Switches.
2. Meets IEEE 802.3 specification
3. Connector Materials:  
 Housing Material: Thermoplastic PBT+30%G.F UL94V-0  
 Contact Material: Phosphor Bronze C5210R-EH Thickness=0.35mm  
 Pins: Brass C2680R-H Thickness=0.35mm  
 Shield: SUS 201-1/2H Thickness=0.2mm  
 Contact plating: Gold 6 micro-inches min. In contact area.
4. Wave solder tip temperature: 250°C, 5 Sec.
5. UL Certification: File Number E484635.



Bottom Side View



Top Side View

X:X	±0.30	APPD:	LINK-PP INT'L TECHNOLOGY CO., LIMITED	
X:XX	±0.25	CHKD:	TITLE: RJ45 Connector with 1000 Base-T Integrated Magnetics	
X:XXX	±0.05	DR: TOM		
ANGLES	±1°	UNIT: mm	PART NO.: LPJG4944GENL	
	SCALE: 2/1	SHEET: 2/2	REV: A	DWG NO.: LP21031602