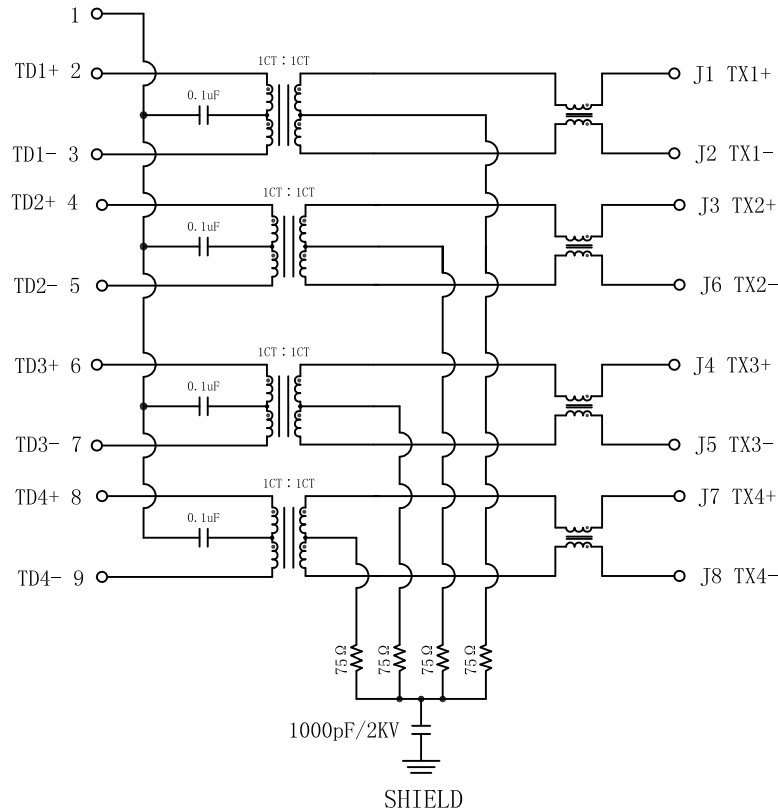


Schematic:

REV.	ECN NO.	DESCRIPTION	DATE	APPD
A	REL		2019-10-14	

PC BOARD CONNECTIONS

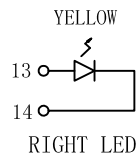
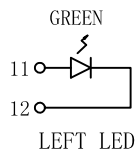


RJ45 CONNECTOR

ELECTRICAL SPECIFICATIONS @25°C

- Turn Ratio($\pm 5\%$):
Pri : Sec = 1CT : 1CT
- Inductance OCL:
350uH MIN @100KHz/0.1V, 8mA DC Bias
- Insertion Loss:
-1.0dB MAX @1-100MHz
-1.2dB MAX @100-125MHz
- Return Loss:
-16dB MIN @1-40MHz
-12dB MIN @40-60MHz
-10dB MIN @60-80MHz
-8dB MIN @80-100MHz
- Cross talk:
-30dB MIN @1-100MHz
- Common to Common Mode Attenuation:
-30dB MIN @1-100MHz
- Hipot Test: 1500Vrms MIN
- Operating Temperature: -40°C to +85°C.

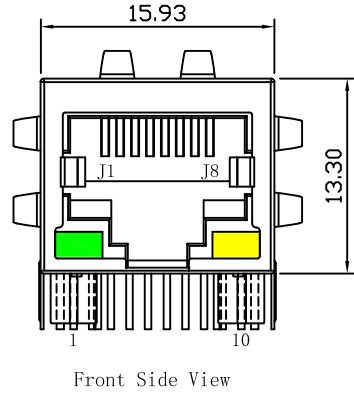
Emitting Color	λ_p (nm)	VF@IF=20mA	IR @VR=5V
GREEN	565	1.8~2.6V	10 μ A max
YELLOW	585	1.8~2.6V	10 μ A max



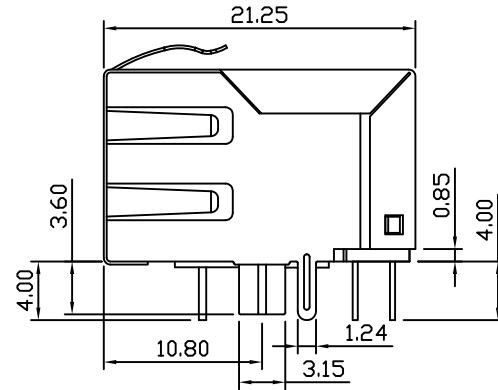
X:X	± 0.25	APPD:	LINK-PP INT'L TECHNOLOGY CO., LIMITED
X:XX	± 0.20	CHKD:	
X:XXX	± 0.05	DR: TOM	
ANGLES	$\pm 1^\circ$	UNIT: mm	PART NO.: LPJG4933GENL
	SCALE: 2/1	SHEET: 1/2	REV: A
			DWG NO.: LP19101423

Mechanical:

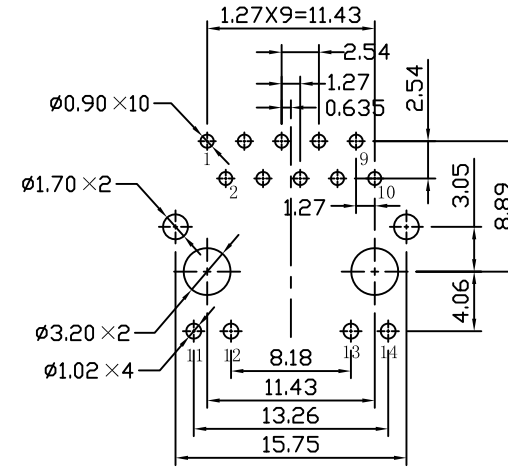
REV.	ECN NO.	DESCRIPTION	DATE	APPD
A	REL		2019-10-14	



Front Side View



Left Side View

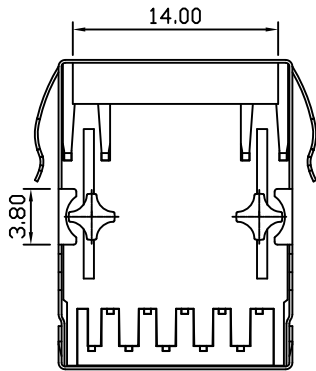


Suggested PCB Layout (Top View)



NOTES:

1. Designed to support application, such as SOHO (ADSL modems), LAN-on-Motherboard (LOM), hub and Switches.
2. Meets IEEE802.3 specification.
3. Connector Materials:
Housing: Thermoplastic PBT+30%G. F UL94V-0
Contact: Phosphor Bronze C5210R-EH Thickness=0.35mm
Pins: Brass C2680R-H Thickness=0.35mm
Shield: SUS 201-1/2H Thickness=0.2mm
Contact plating: Gold 6 micro-inches min. In contact area.
4. Wave solder tip temperature: 265°C Max, 5 Sec.
5. UL Certification: File Number E484635.



Bottom Side View



Top Side View

X:X ±0.25	APPD:	LINK-PP INT'L TECHNOLOGY CO., LIMITED	
X:XX ±0.20	CHKD:	TITLE: RJ45 Connector with 1000 Base-T Integrated Magnetics	
X:XXX ±0.05	DR: TOM		
ANGLES ±1°	UNIT: mm	PART NO.: LPJG4933GENL	
	SCALE: 2/1	SHEET: 2/2	REV: A DWG NO.: LP19101423