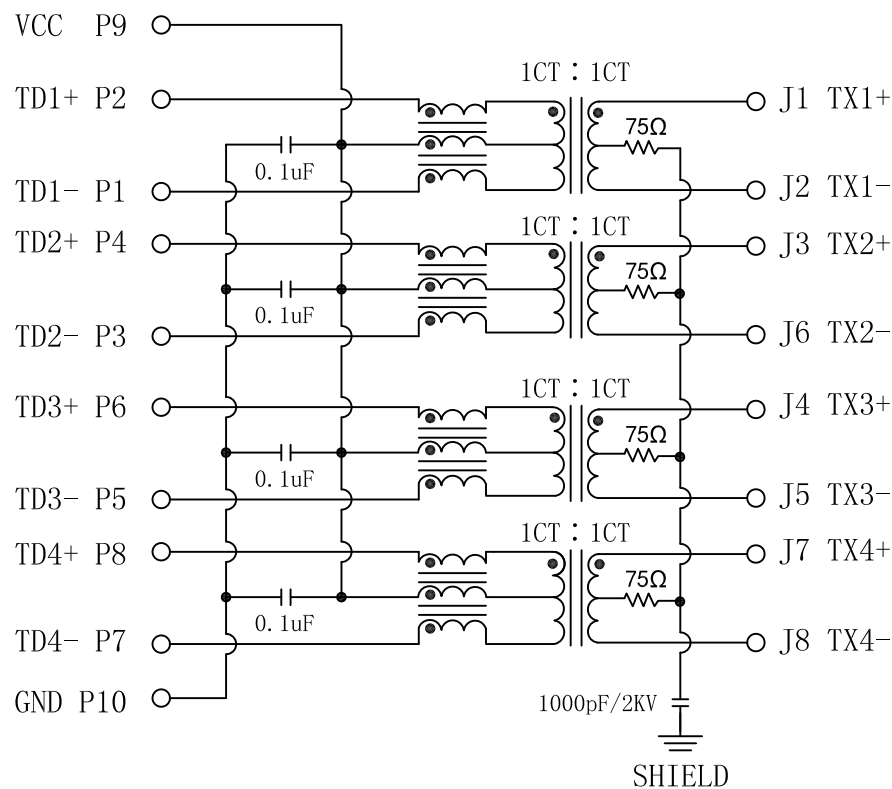


Schematic:

REV.	ECN NO.	DESCRIPTION	DATE	APPD
A	REL		2013/12/04	

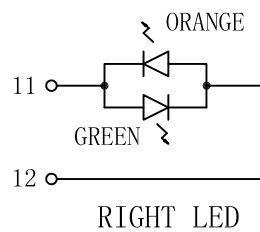
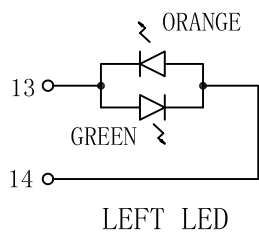
PCB CONNECTIONS



RJ45 CONNECTOR

Electrical Specifications @25°C

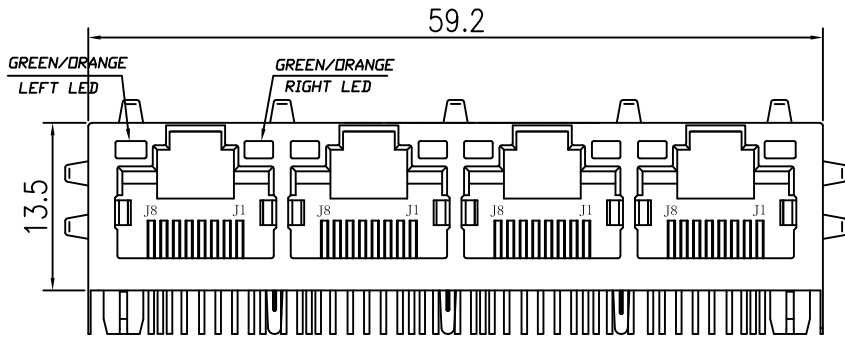
1. Trun Ratio: 1CT : 1CT
2. OCL(100KHz, 0.1V, 8mA DC BIAS):
350uH MIN
3. Insertion Loss:
0.5~100MHz:-1.1dB MAX
4. Return Loss:
0.5~40MHz:-18dB MIN
40.1~100MHz:-12-20LOG(f/80) dB MIN.
5. Crosstalk:
0.5~40MHz:-35dB MIN
40.1~100MHz:-33-20LOG(f/50) dB MIN.
6. Common Mode Rejection Ratio:
0.5~100MHz:-30dB MIN
7. Hipot Test: 1500Vrms MIN
8. Operating Temperature: 0°C TO 70°C.



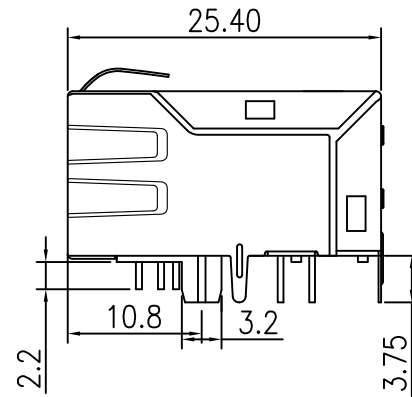
X:X	±0.30	APPD:	LINK-PP INT'L TECHNOLOGY CO., LIMITED	
X:XX	±0.25	CHKD:	TITLE: RJ45 Connector With 1000 Base-TX Integrated Magnetic	
X:XXX	±0.05	DR: TOM		
ANGLES	±1°	UNIT: mm	PART NO.: LPJG48837A31NL	
	SCALE: 2/1	SHEET: 1/2	REV: A	DWG: LP13120419

Mechanical:

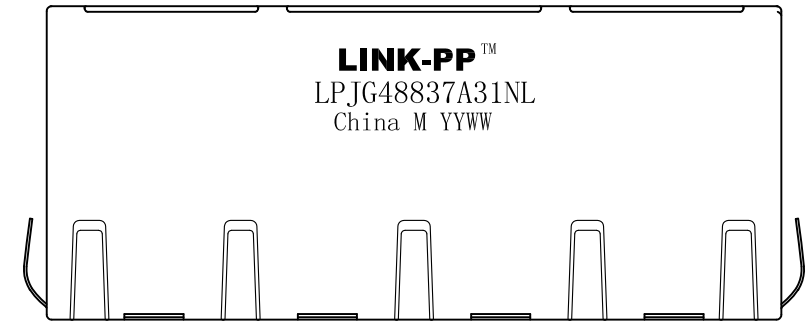
REV.	ECN NO.	DESCRIPTION	DATE	APPD
A	REL		2013/12/04	



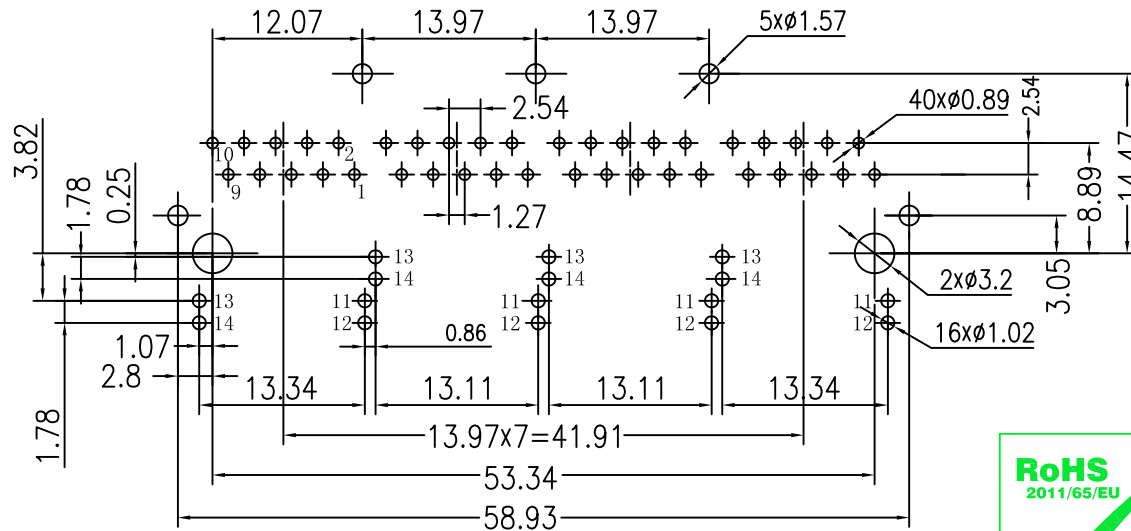
Front Side View



Left Side View



Top Side View



Suggested PCB Layout (Top View)



NOTES:

1. Designed to support application, such as SOHO (ADSL modems), LAN-on-Motherboard (LOM), hub and Switches.
2. Meets IEEE 802.3 specification
3. Connector Materials:
Housing: Thermoplastic PBT+30%G.F UL94V-0
Contact: Phosphor Bronze C5210R-EH Thickness=0.35mm
Pins: Brass C2680R-H Thickness=0.35mm
Shield: SUS 201-1/2H Thickness=0.2mm
Contact plating: Gold 6 micro-inches min. In contact area.
4. Wave solder tip temperature: 265°C Max, 5 Sec Max.

X:X	± 0.30	APPD:	LINK-PP INT'L TECHNOLOGY CO., LIMITED
X:XX	± 0.25	CHKD:	
X:XXX	± 0.05	DR: TOM	TITLE: RJ45 Connector With 1000 Base-TX Integrated Magnetic
ANGLES	$\pm 1^\circ$	UNIT: mm	PART NO.: LPJG48837A31NL
	SCALE: 2/1	SHEET: 2/2	REV: A DWG: LP13120419