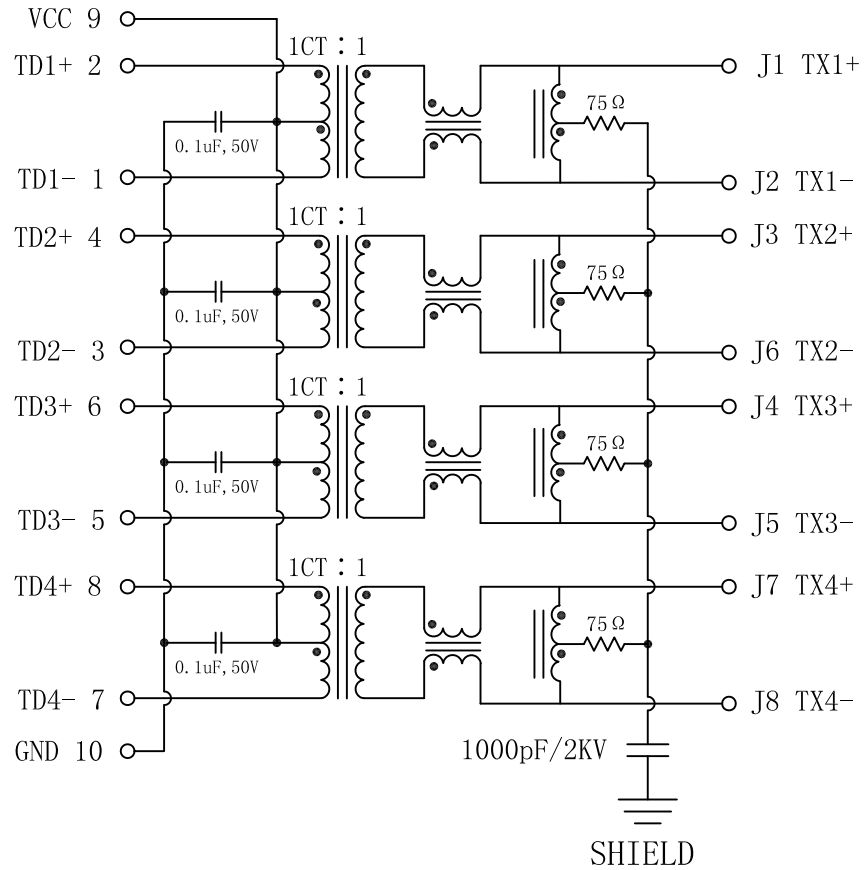


Schematic:

REV.	ECN NO.	DESCRIPTION	DATE	APPD
A	REL		20141/01/04	

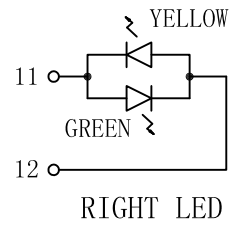
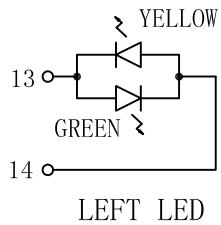
PCB CONNECTIONS



RJ45 CONNECTOR

Electrical Specifications @25°C

1. Turns Ratio: 1CT : 1
2. OCL: 350uH MIN
@100KHz, 0.1V, 8mA DC BIAS
3. Insertion Loss:
0.5~100MHz: -1.1dB MAX
4. Return Loss:
0.5~40MHz: -18dB MIN
40.1~100MHz: -12-20LOG(f/80) dB MIN.
5. Crosstalk:
0.5~40MHz: -35dB MIN
40.1~100MHz: -33-20LOG(f/50) dB MIN.
6. Common Mode Rejection Ratio:
0.5~100MHz: -30dB MIN
7. Hipot Test: 1500Vrms MIN
8. Operating Temperature: 0°C TO +70°C.

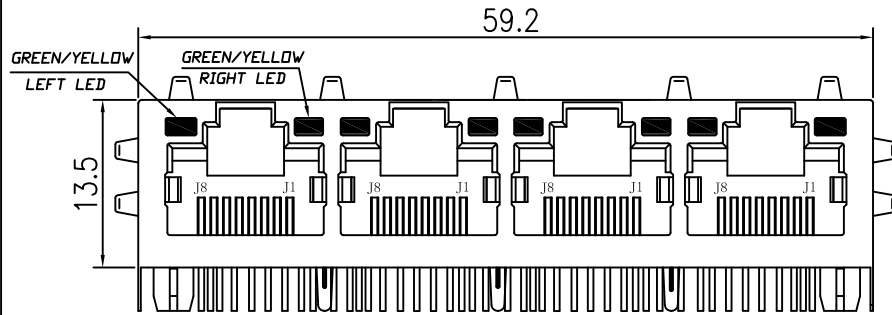


Emitting Color	λ p(nm)	VF@IF=20mA	IR @VR=5V
GREEN	565	1.8-2.6V	10 μ A max
YELLOW	585	1.8-2.6V	10 μ A max

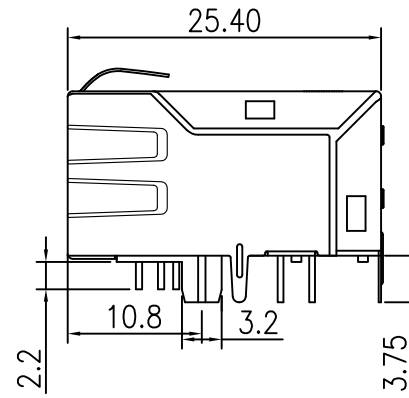
X:X	± 0.30	APPD:	LINK-PP INT'L TECHNOLOGY CO., LIMITED
X:XX	± 0.25	CHKD:	
X:XXX	± 0.05	DR: TOM	TITLE: RJ45 Connector With 1000 Base-TX Integrated Magnetic
ANGLES	$\pm 1^\circ$	UNIT: mm	PART NO.: LPJG48831A4NL
	SCALE: 2/1	SHEET: 1/2	REV: A
		DWG: LP11010415	

Mechanical:

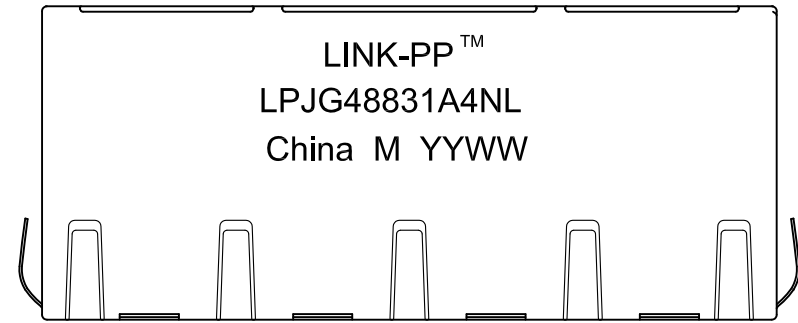
REV.	ECN NO.	DESCRIPTION	DATE	APPD
A	REL		2011/01/04	



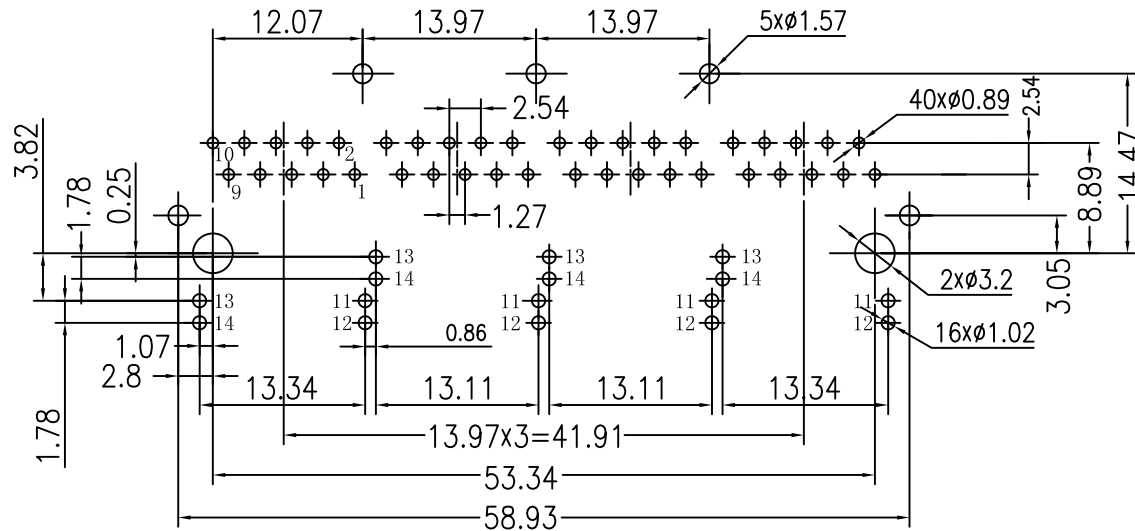
Front Side View



Left Side View



Top Side View



Suggested PCB Layout (Top View)



NOTES:

1. Designed to support application, such as SOHO (ADSL modems), LAN-on-Motherboard (LOM), hub and Switches.
2. Meets IEEE 802.3 specification
3. Connector Materials:
 Housing: Thermoplastic PBT+30%G.F UL94V-0
 Contact: Phosphor Bronze C5210R-EH Thickness=0.35mm
 Pins: Brass C2680R-H Thickness=0.35mm
 Shield: SUS 201-1/2H Thickness=0.2mm
 Contact plating: Gold 6 micro-inches min. In contact area.
4. Wave solder tip temperature: 265°C Max, 5 Sec Max.

X:X	±0.30	APPD:	LINK-PP INT'L TECHNOLOGY CO., LIMITED
X:XX	±0.25	CHKD:	
X:XXX	±0.05	DR: TOM	TITLE: RJ45 Connector With 1000 Base-TX Integrated Magnetic
ANGLES	±1°	UNIT: mm	PART NO.: LPJG48831A4NL
	SCALE: 2/1	SHEET: 2/2	REV: A DWG: LP11010415