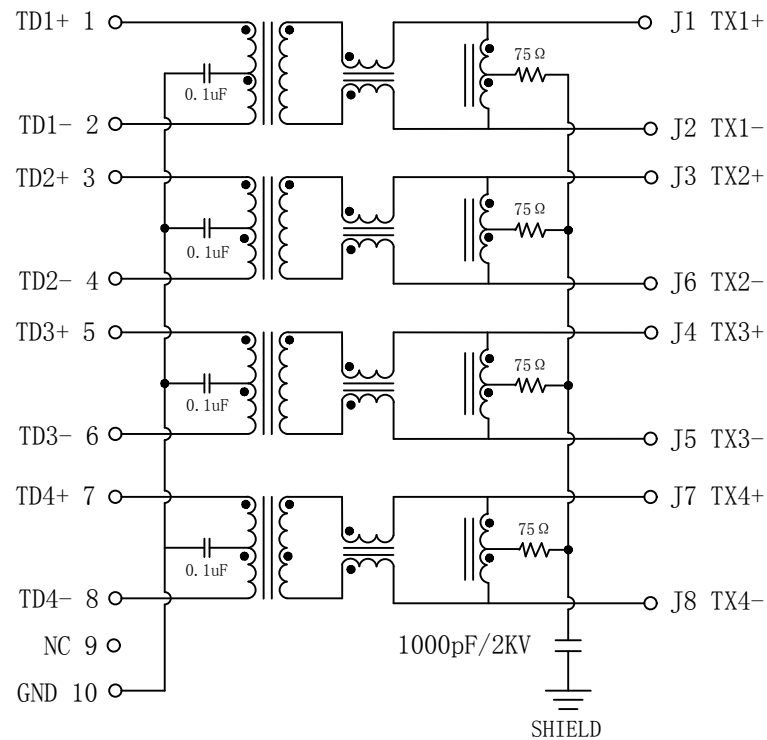


# Schematic:

REV.	ECN NO.	DESCRIPTION	DATE	APPD
A	REL		2011/01/04	

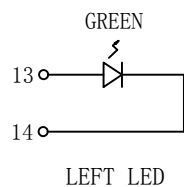
PCB CONNECTIONS



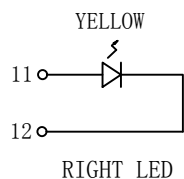
RJ45 CONNECTOR

## Electrical Specifications @25°C

- Turns Ratio: 1CT : 1CT
- OCL:  
350uH MIN @ 100KHz, 100mV, 8mADC
- Insertion Loss:  
1~100MHz: -1.0dB MAX
- Return Loss(dB MIN .load 100Ω ):  
1~30MHz: -18      30~60MHz: -16  
60~80MHz: -12      80~100MHz: -10
- Crosstalk:  
1~100MHz: -30dB MIN
- Common Mode Rejection:  
1~100MHz: -30dB MIN
- CMRR: 1~100MHz: -30dB MIN
- Isolation: 1500Vrms MIN
- Operating Temperature: 0°C ~ 70°C.



LED POLARITY		COLOR
PIN 13	PIN 14	
+	-	GREEN



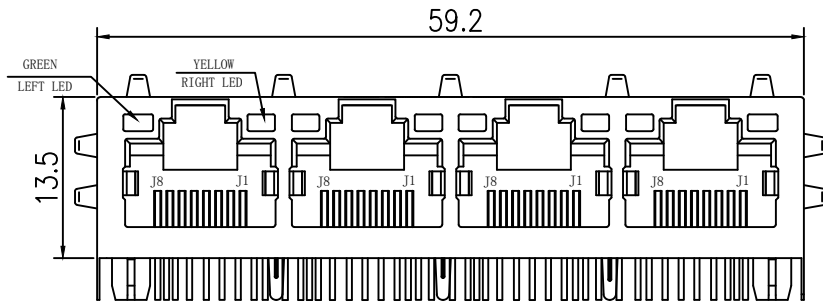
LED POLARITY		COLOR
PIN 11	PIN 12	
+	-	YELLOW



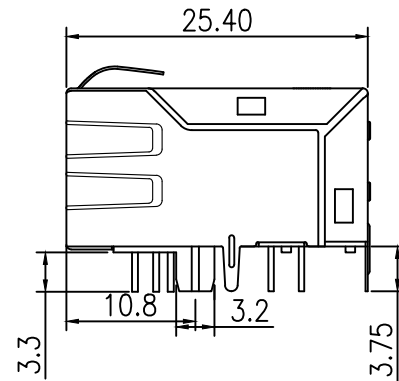
X:X	±0.20	APPD: TOM	LINK-PP INT'L TECHNOLOGY CO., LIMITED
X:XX	±0.10	CHKD: JAMES	
X:XXX	±0.05	DR: LEO	TITLE: RJ45 Connector With 1000 Base-TX Integrated Magnetic
ANGLES	±1°	UNIT: mm	PART NO.: LPJG488148AENL
	SCALE: 2/1	SHEET: 1/2	REV: A    DWG: LP11010415

# Mechanical:

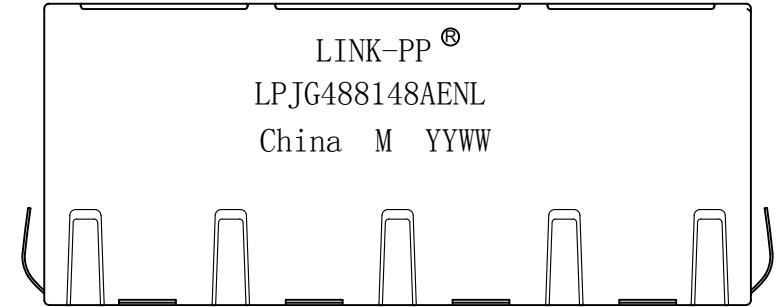
REV.	ECN NO.	DESCRIPTION	DATE	APPD
A	REL		2011/01/04	



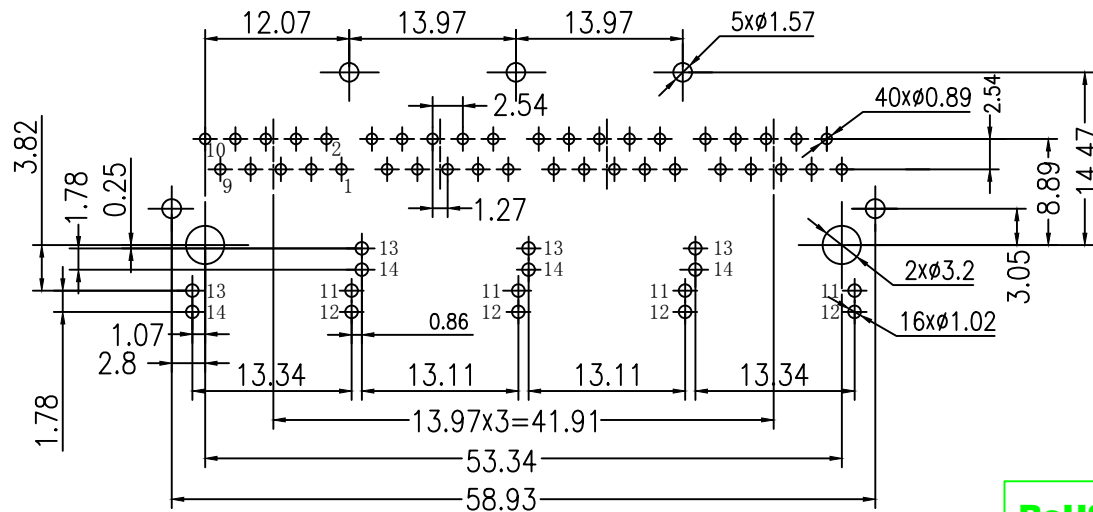
Front Side View



Left Side View



Top Side View



Suggested PCB Layout (Top View)



## NOTES:

1. Designed to support application, such as SOHO (ADSL modems), LAN-on-Motherboard (LOM), hub and Switches.
2. Meets IEEE 802.3 specification
3. Connector Materials:  
 Housing: Thermoplastic PBT+30%G.F UL94V-0  
 Contact: Phosphor Bronze C5210R-EH Thickness=0.35mm  
 Pins: Brass C2680R-H Thickness=0.35mm  
 Shield: SUS 201-1/2H Thickness=0.2mm  
 Contact plating: Gold 6 micro-inches min. In contact area.
4. Wave solder tip temperature: 260°C, 5 Sec.
5. UL Certification: File Number E484635.

X:X	±0.20	APPD: TOM	LINK-PP INT'L TECHNOLOGY CO., LIMITED
X:XX	±0.10	CHKD: JAMES	
X:XXX	±0.05	DR: LEO	TITLE: RJ45 Connector With 1000 Base-TX Integrated Magnetic
ANGLES	±1°	UNIT: mm	PART NO.: LPJG488148AENL
	SCALE: 2/1	SHEET: 2/2	REV: A DWG: LP11010415