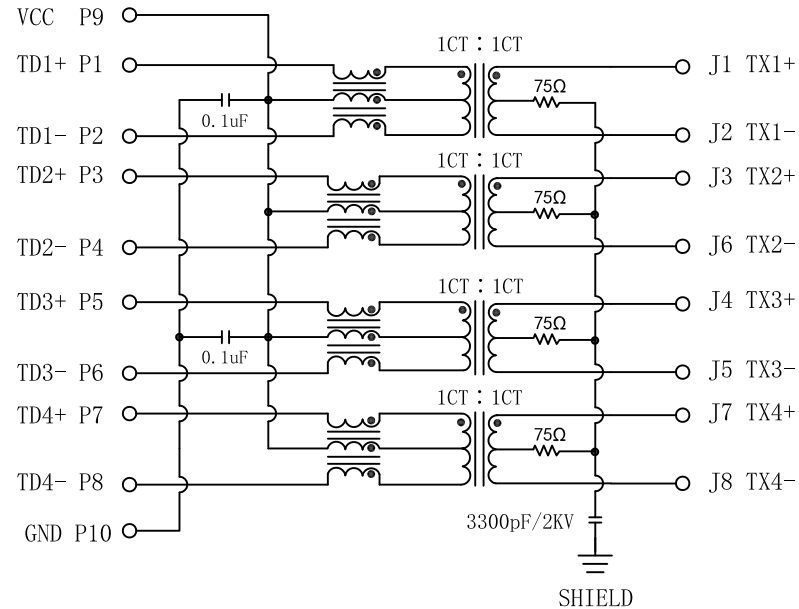


# Schematic:

REV.	ECN NO.	DESCRIPTION	DATE	APPD
A	REL		2017/05/10	

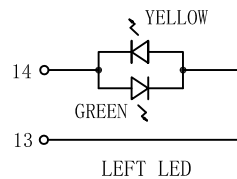
PCB CONNECTIONS



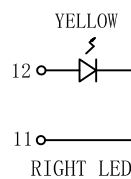
RJ45 CONNECTOR

## Electrical Specifications @25°C

- Turns Ratio:  
Pri:Sec = 1CT:1CT ±2%
- OCL:  
350uH MIN @100KHz, 100mV, 8mADC
- Insertion Loss:  
0.3~100MHz:-1.0dB MAX
- Return Loss (dB MIN, @100 Ω):  
1~30MHz:-18                      30~60MHz:-16  
60~100MHz:-12
- Crosstalk (dB MIN):  
0.3~30MHz:-40                      30~60MHz:-35  
60~100MHz:-30
- Common Mode Rejection Ratio:  
1~100MHz:-30dB MIN
- Isolation: 1500Vrms MIN
- Operating Temperature Range: 0°C~70°C.



LEFT LED



RIGHT LED

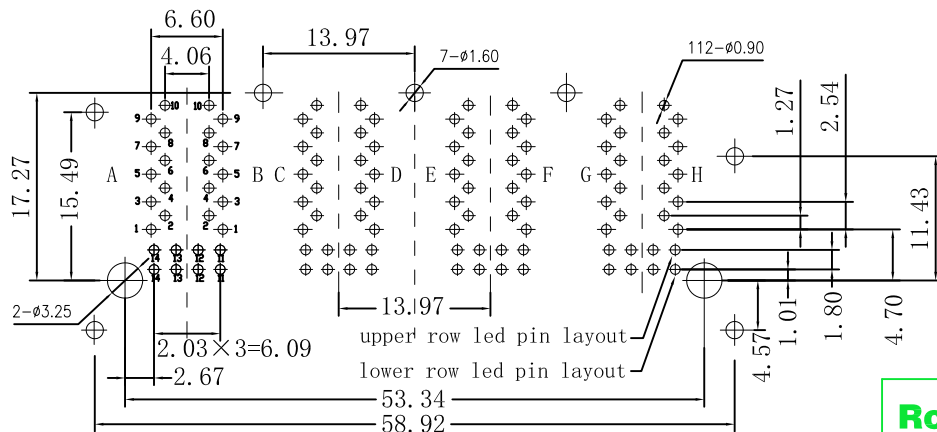
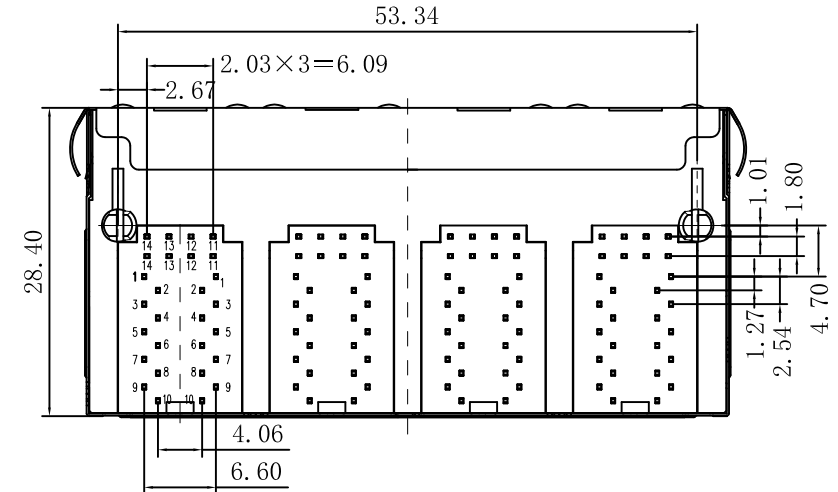
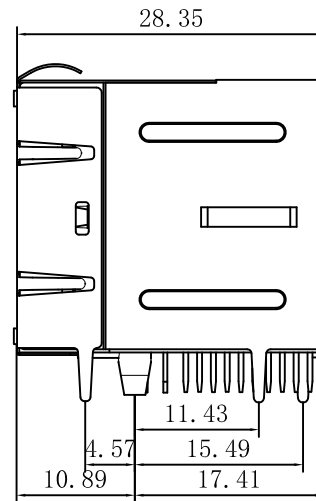
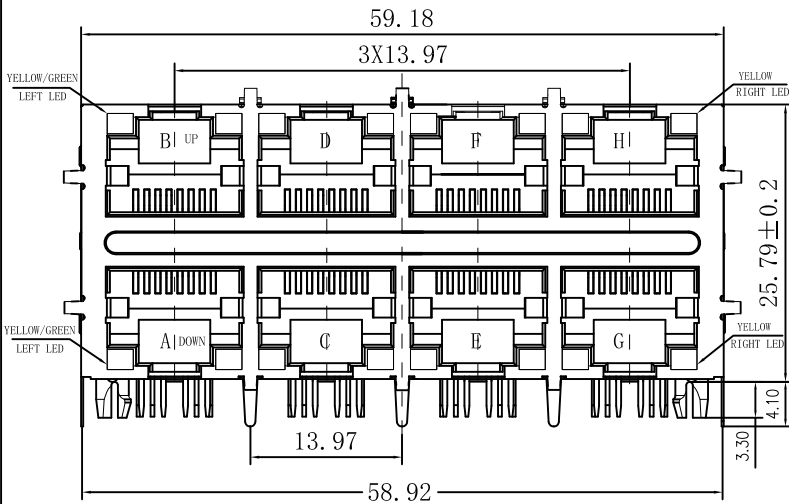
Emitting Color	λ p(nm)	V <sub>F</sub> @I <sub>F</sub> =20mA	I <sub>R</sub> @V <sub>R</sub> =5V
GREEN	565	1.8~2.6V	10 μA max
YELLOW	585	1.8~2.6V	10 μA max



X:X	±0.30	APPD:	LINK-PP INT'L TECHNOLOGY CO., LIMITED	
X:XX	±0.25	CHKD:	TITLE: RJ45 .Transformer. 1000 Base-T . 2x4	
X:XXX	±0.05	DR: TOM	PART NO.: LPJG47580A35NL	
ANGLES	±1°	UNIT: mm		
	SCALE: 2/1	SHEET: 1/2	REV: A	DWG NO.: LP17051003

# Mechanical :

REV.	ECN NO.	DESCRIPTION	DATE	APPD
A	REL		2017/05/10	



SUGGESTED PCB LAYOUT (TOP VIEW)



## NOTES:

1. Designed to support application, such as SOHO (ADSL modems), LAN-on-Motherboard (LOM), hub and Switches.
2. Meets IEEE 802.3 specification
3. Connector Materials:  
Housing: Thermoplastic UL94V-0  
Contact/Shield: Copper alloy  
Shield plating: Nickel  
Contact plating: Gold 6 micro-inches min. In contact area.
4. Wave solder tip temperature: 265°C Max, 5 Sec.
5. UL Certification: File Number E484635.

X:X	±0.30	APPD:	LINK-PP INT'L TECHNOLOGY CO., LIMITED
X:XX	±0.25	CHKD:	TITLE: RJ45 Transformer. 1000 Base-T . 2x4
X:XXX	±0.05	DR: TOM	PART NO.: LPJG47580A35NL
ANGLES	±1°	UNIT: mm	
	SCALE: 2/1	SHEET: 2/2	REV: A DWG NO.: LP17051003