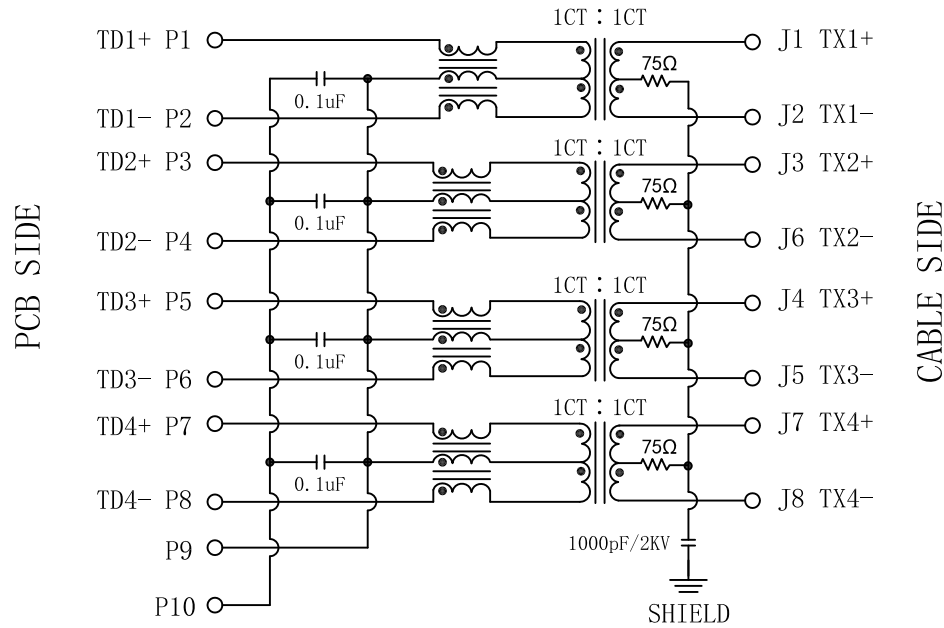


Schematic:

| REV. | ECN NO. | DESCRIPTION | DATE | APPD |
|------|---------|-------------|-----------|------|
| A | REL | | 2016-4-12 | |



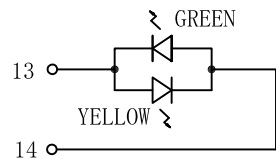
Electrical Specifications @25°C

- Turns Ratio:
Pri : Sec = 1CT : 1CT ±5%
- OCL: 350uH MIN
@ 100KHz, 100mV, 8mA DC Bias
- Insertion Loss:
1~100MHz: -1.0dB MAX
100~125MHz: -1.2dB MAX
- Return Loss(dB MIN):
1~40MHz: -16 40~60MHz: -12
60~80MHz: -10 80~100MHz: -8
- Crosstalk:
1~100MHz: -30dB Min
- Common to Common Mode Attenuation:
1~100MHz: -30dB MIN
- Hipot: 1500Vrms MIN
- Operating Temperature: 0°C ~ 70°C.



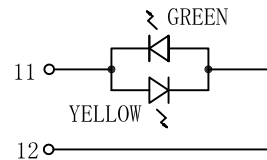
PCB SIDE

CABLE SIDE



LEFT LED

| LED POLARITY | | COLOR |
|--------------|--------|--------|
| PIN 13 | PIN 14 | |
| + | - | YELLOW |
| - | + | GREEN |



RIGHT LED

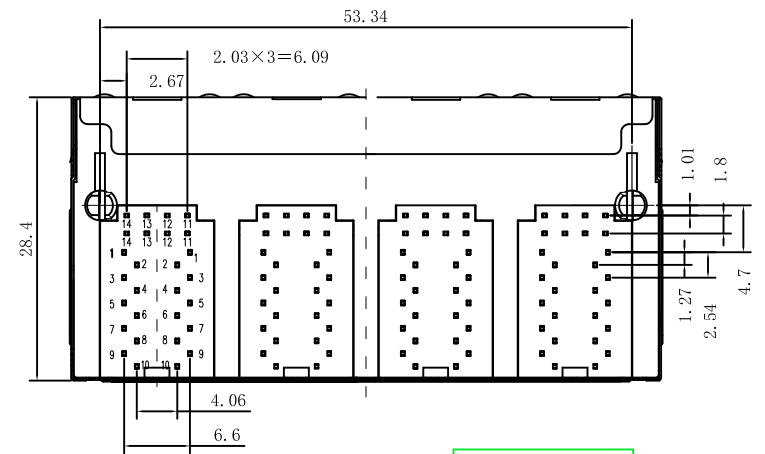
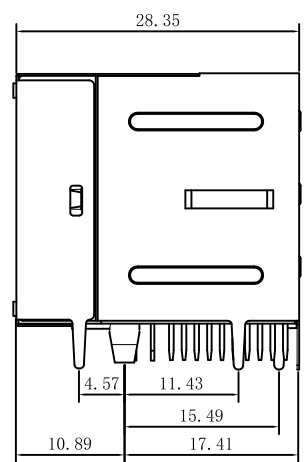
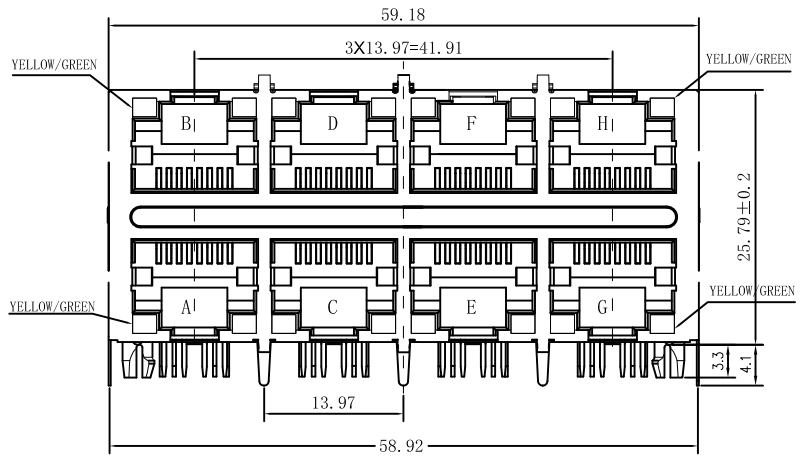
| LED POLARITY | | COLOR |
|--------------|--------|--------|
| PIN 11 | PIN 12 | |
| + | - | YELLOW |
| - | + | GREEN |

| Emitting Color | λ p(nm) | VF@IF=20mA | IR @VR=5V |
|----------------|---------|------------|------------|
| GREEN | 565 | 1.8~2.4V | 10 μ A max |
| YELLOW | 585 | 1.8~2.4V | 10 μ A max |

| | | |
|-------------|------------|---|
| X:X ±0.30 | APPD: | LINK-PP INT'L TECHNOLOGY CO., LIMITED |
| X:XX ±0.25 | CHKD: | |
| X:XXX ±0.05 | DR: TOM | TITLE: 2*4 RJ45 Connector with 1000 Base-T Integrated Magnetics |
| ANGLES ±1° | UNIT: mm | PART NO.: LPJG47549B47NL |
| | SCALE: 2/1 | SHEET: 1/2 |
| | REV: A | DWG NO.: LP16041215 |

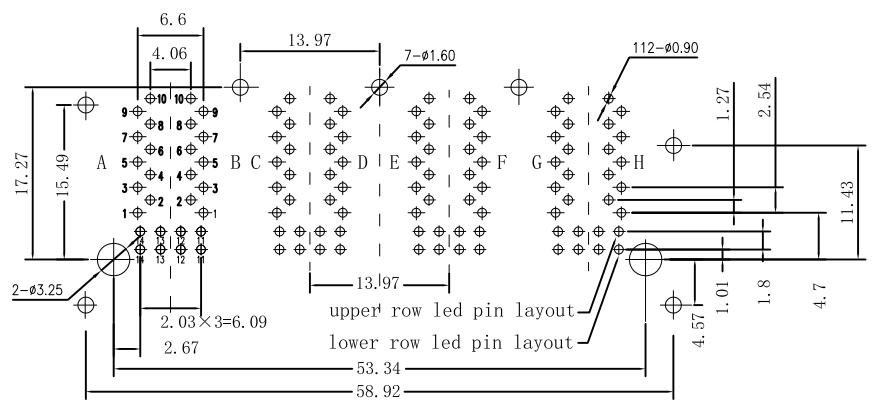
Mechanical:

| REV. | ECN NO. | DESCRIPTION | DATE | APPD |
|------|---------|-------------|-----------|------|
| A | REL | | 2016-4-12 | |



NOTES:

1. Meets IEEE 802.3 specification
2. Connector Materials:
 Housing Material: Thermoplastic PBT+30%G.F UL94V-0
 Contact Material: Phosphor Bronze C5210R-EH Thickness=0.35mm
 Pins: Brass C2680R-H Thickness=0.35mm
 Shield: Copper alloy Brass H65Y Thickness=0.20mm
 Shield plating: Nickel
 Contact plating: Gold 6 micro-inches min. In contact area.
3. Wave solder tip temperature: 265°C Max, 5 Sec.
4. UL Certification: File Number E484635.



SUGGESTED PCB LAYOUT (TOP VIEW)

| | | |
|-------------|------------|---|
| X:X ±0.30 | APPD: | LINK-PP INT'L TECHNOLOGY CO., LIMITED |
| X:XX ±0.25 | CHKD: | |
| X:XXX ±0.05 | DR: TOM | TITLE: 2*4 RJ45 Connector with 1000 Base-T Integrated Magnetics |
| ANGLES ±1° | UNIT: mm | PART NO.: LPJG47549B47NL |
| | SCALE: 2/1 | SHEET: 2/2 |
| | REV: A | DWG NO.: LP16041215 |