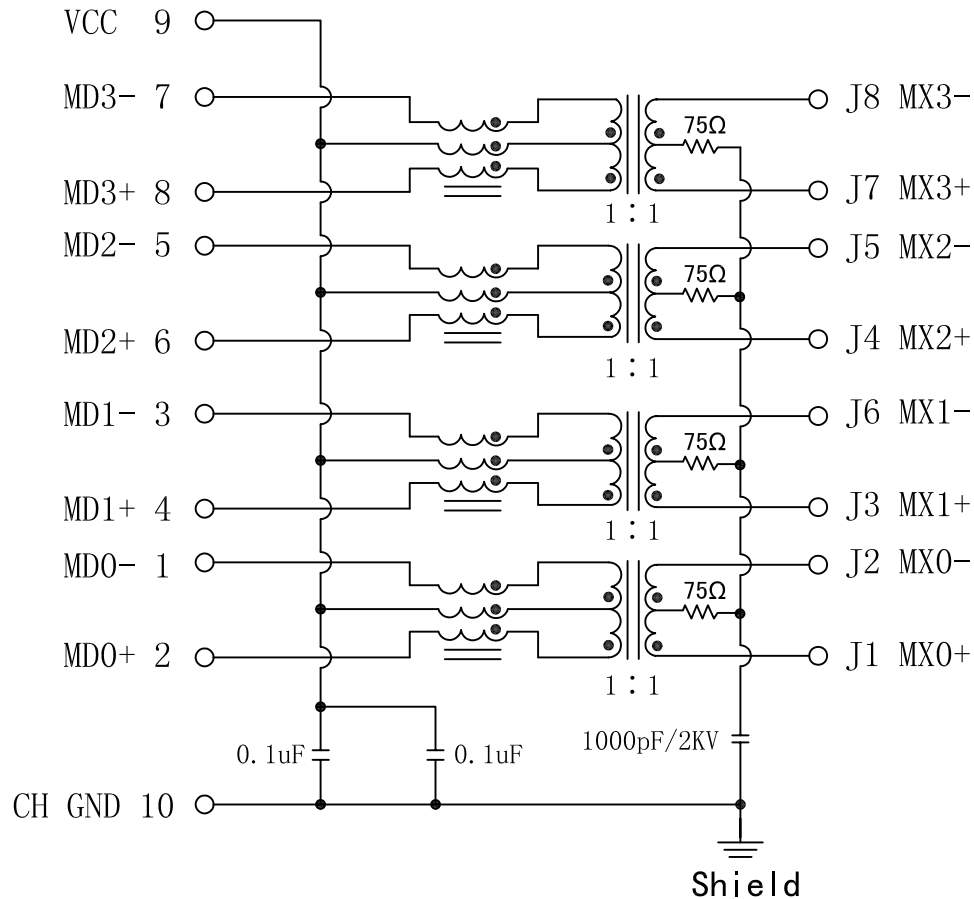


Schematic:

REV.	ECN NO.	DESCRIPTION	DATE	APPD
A	REL		2012/04/23	

PCB CONNECTIONS



CABLE

Electrical Specifications @ 25°C

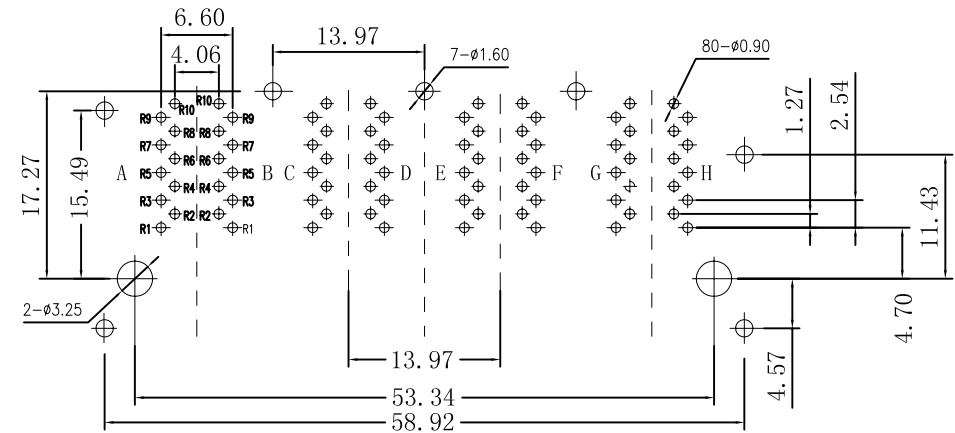
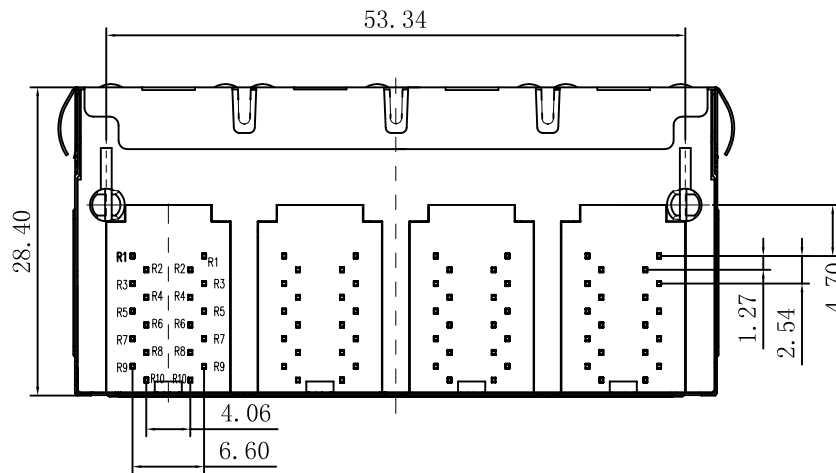
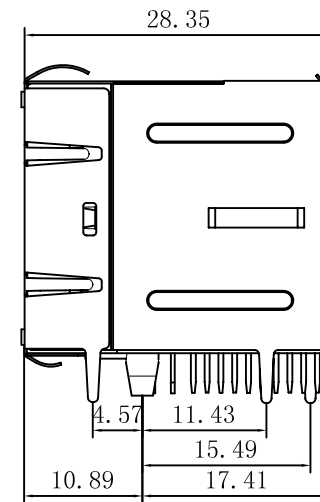
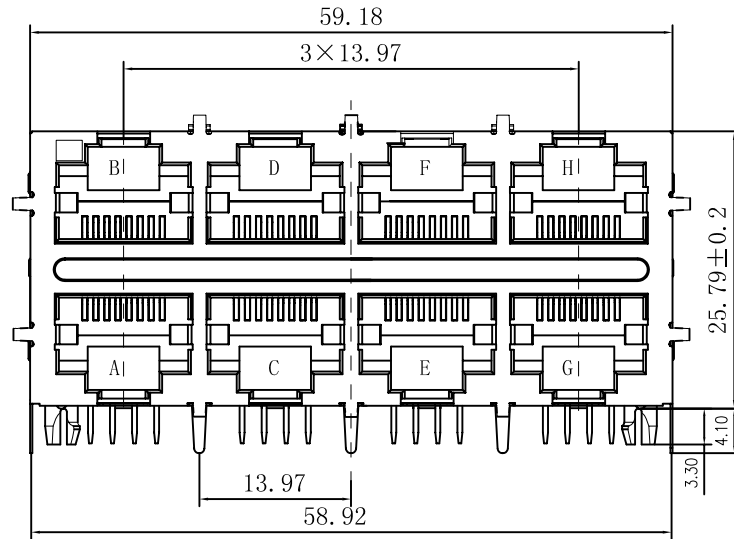
- Transmitter filter & Receiver filter
Type: Balance low pass 100Ω impedance
Insertion Loss:
1~65MHz: -1.0dB MAX
Return Loss:
1~10MHz: -20dB TYP. load 100Ω±15Ω
30MHz: -16dB TYP. load 100Ω±15Ω
60~80MHz: -12dB TYP. load 100Ω±15Ω
- Inductance (@ 100KHz, 0.1V, 8mA DC BIAS):
350uH MIN
- Crosstalk:
1~10MHz: -40dB MIN
32~60MHz: -35dB MIN
60~100MHz: -30dB MIN
- Common Mode Rejection:
1~50MHz: -30dB TYP
50~130MHz: -20dB TYP
- Hipot: 1500Vrms MIN @60Hz 1 MIN
- Operating Temperature: 0°C ~ +70°C.



X:X	±0.20	APPD:	LINK-PP INT'L TECHNOLOGY CO., LIMITED	
X:XX	±0.10	CHKD:	Title: RJ45 . Transformer. 1000 Base-T . 2x4	
X:XXX	±0.05	DR: TOM	PART NO.: LPJG47547CNL	
ANGLES	±1°	UNIT: mm		
	SCALE: 2/1	SHEET: 1/2	REV: A	DWG NO.: LP12042306

Mechanical :

REV.	ECN NO.	DESCRIPTION	DATE	APPD
A	REL		2012/04/23	



SUGGESTED PCB LAYOUT (TOP VIEW)

NOTES:

1. Designed to support application, such as SOHO (ADSL modems), LAN-on-Motherboard (LOM), hub and Switches.
2. Meets IEEE 802.3 specification
3. Connector Materials:
Housing: Thermoplastic UL94V-0
Contact/Shield: Copper alloy
Shield plating: Nickel
Contact plating: Gold 6 micro-inches min. In contact area.
4. Wave solder tip temperature: 265°C Max
Wave solder tip temperature time: 5 Sec Max



X:X	±0.20	APPD:	LINK-PP INT'L TECHNOLOGY CO., LIMITED	
X:XX	±0.10	CHKD:	Title: RJ45 .Transformer.1000 Base-T . 2x4	
X:XXX	±0.05	DR: TOM	PART NO. : LPJG47547CNL	
ANGLES	±1°	UNIT: mm		
	SCALE: 2/1	SHEET: 2/2	REV: A	DWG NO. : LP12042306