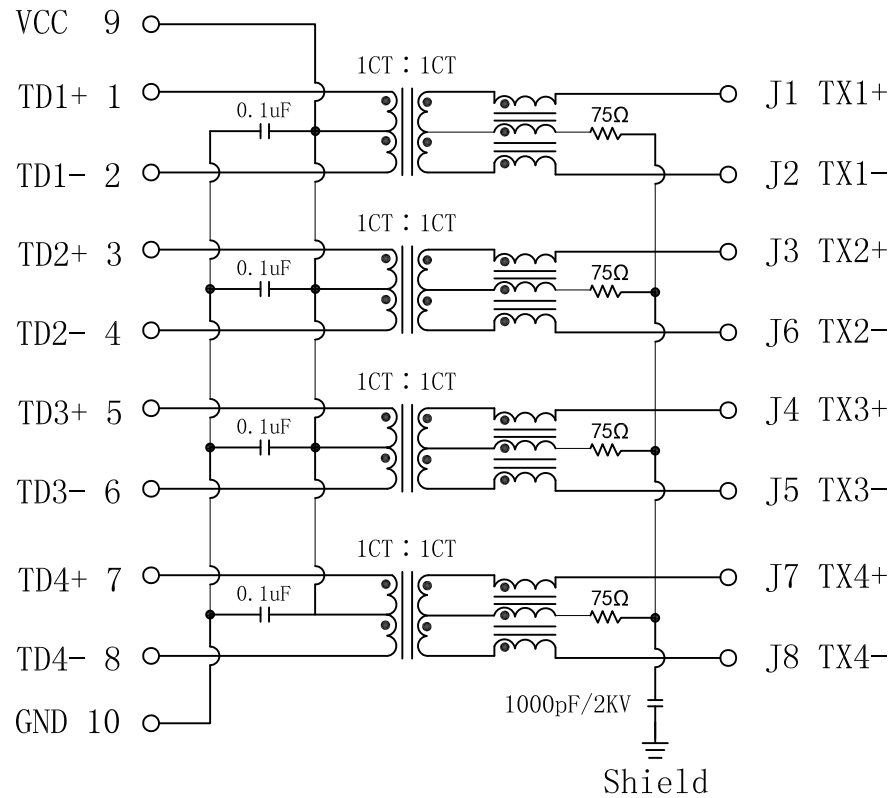


Schematic:

REV.	ECN NO.	DESCRIPTION	DATE	APPD
A	REL		2012/11/13	

PCB CONNECTIONS



RJ45 CONNECTOR

Electrical Specifications @25°C

1. Transmitter & Receiver filter

Insertion Loss:

1~100MHz:-1.0dB MAX

Return Loss:

1~30MHz:-18dB MIN @Load 100Ω.

40MHz:-16dB MIN @Load 100Ω.

50MHz:-14.08dB MIN @Load 100Ω.

60~80MHz:-12.5dB MIN @Load 100Ω.

100MHz:-10dB MIN @Load 100Ω.

2. Turns Ratio(±2%): 1CT : 1CT

3. Inductance: 350uH MIN

@100KHz, 0.1V, 8mA DC BIAS

4. Crosstalk:

0.5~10MHz:-50dB MIN

30MHz:-40dB MIN

50MHz:-35dB MIN

100MHz:-30dB MIN

5. DCMR:

0.3~30MHz:-50dB MIN

60MHz:-45dB MIN

100MHz:-40dB MIN

6. HiPot Test: 1500Vrms

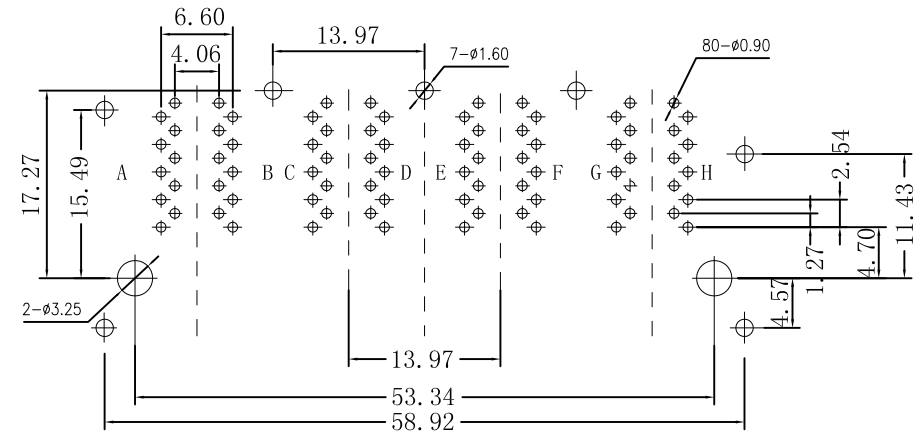
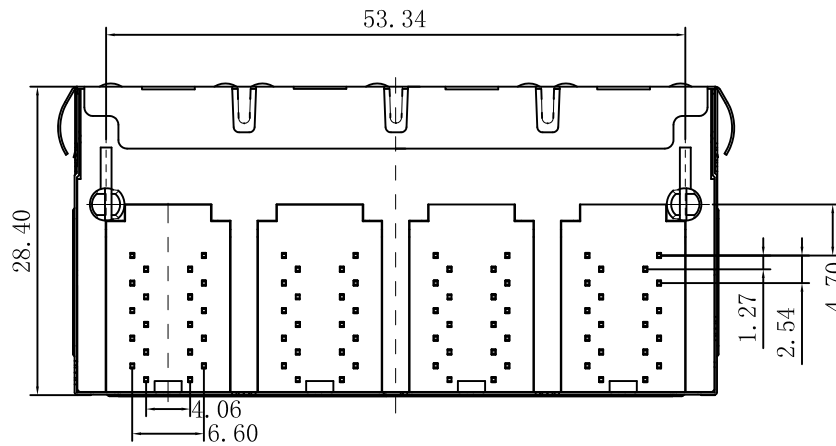
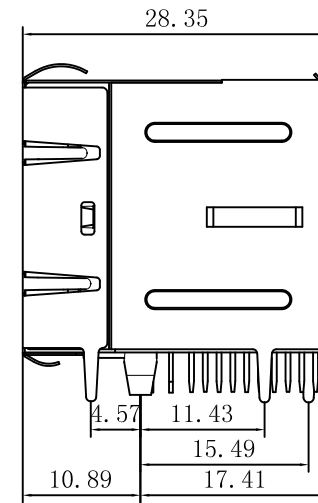
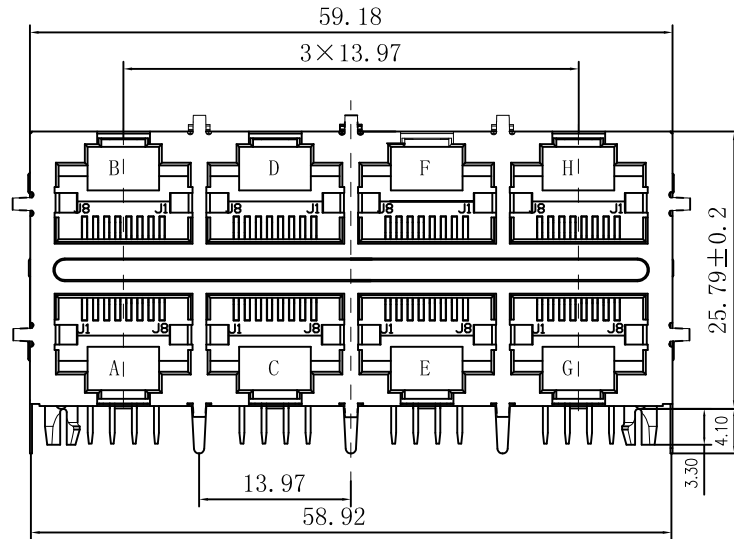
7. Operating Temperature Range: 0°C TO +70°C.



X:X	±0.20	APPD:	LINK-PP INT'L TECHNOLOGY CO., LIMITED	
X:XX	±0.10	CHKD:	TITLE: RJ45 . Transformer. 1000 Base-T . 2×4	
X:XXX	±0.05	DR: TOM	PART NO. : LPJG47502CNL	
ANGLES	±1°	UNIT: mm	SHEET: 1/2	
	SCALE: 2/1	SHEET: 1/2	REV: A	DWG NO. : LP12111318

Mechanical:

REV.	ECN NO.	DESCRIPTION	DATE	APPD
A	REL		2012/11/13	



SUGGESTED PCB LAYOUT (TOP VIEW)

NOTES:

1. Designed to support application, such as SOHO (ADSL modems), LAN-on-Motherboard (LOM), hub and Switches.
2. Meets IEEE 802.3 specification
3. Connector Materials:
Housing: Thermoplastic UL94V-0
Contact/Shield: Copper alloy
Shield plating: Nickel
Contact plating: Gold 6 micro-inches min. in contact area.
4. Wave solder tip temperature: 265°C Max
Wave solder tip temperature time: 5 Sec Max



X:X	±0.20	APPD:	LINK-PP INT'L TECHNOLOGY CO., LIMITED	
X:XX	±0.10	CHKD:	TITLE: RJ45 .Transformer. 1000 Base-T . 2x4	
X:XXX	±0.05	DR: TOM	PART NO. : LPJG47502CNL	
ANGLES	±1°	UNIT: mm	PART NO. : LPJG47502CNL	
	SCALE: 2/1	SHEET: 2/2	REV: A	DWG NO. : LP12111318