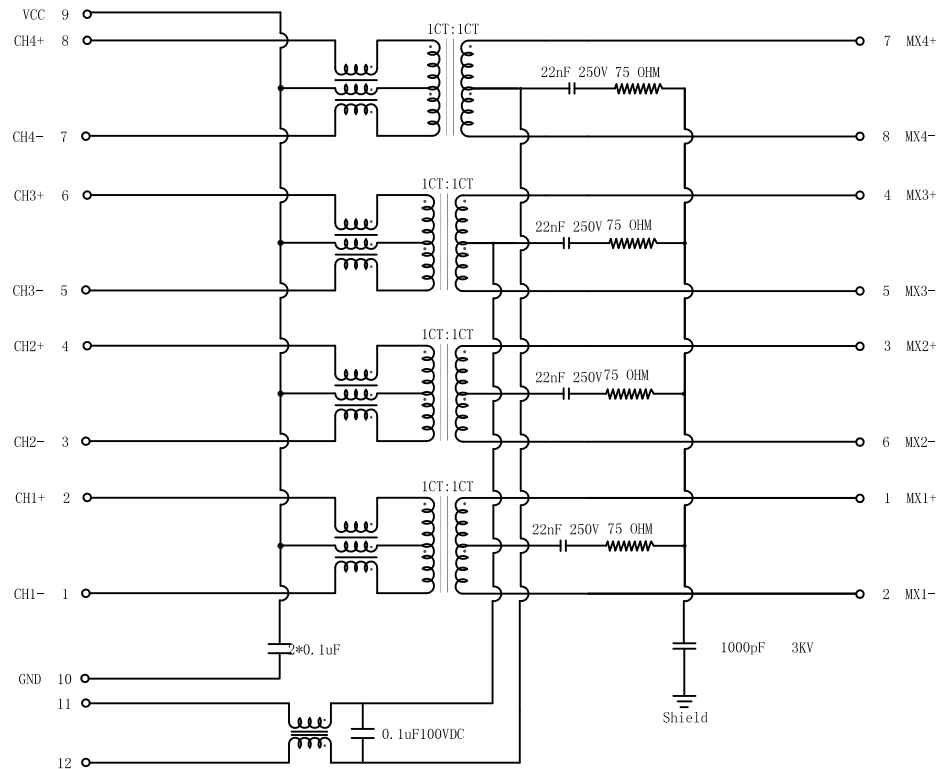


# Schematic:

REV.	ECN NO.	DESCRIPTION	DATE	APPD
A	REL		2018/12/14	

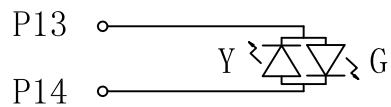
PC BOARD CONNECTIONS



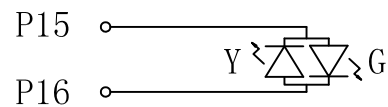
RJ45 CONNECTOR

## Electrical Specification @25°C

- Turns Ratio( $\pm 2\%$ ):  
Pri : SeC = 1CT : 1CT
- Inductance:  
350uH MIN @100KHz, 0.1V, 8mA DC Bias  
120uH MIN @100KHz, 0.1V, 18mA DC Bias
- Insertion Loss:  
1-100MHz:-1.0dB Max
- Return Loss(dB Min):  
1-30MHz:-18                      30-60MHz:-16  
60-100MHz:-12
- Crosstalk(dB Typ):  
1-30MHz:-40                      30-60MHz:-35  
60-100MHz:-30
- Common to Mode Rejection(dB Typ):  
1-50MHz:-30                      50-150MHz:-20
- Isolation: PHY Side to Line Side: 2250VDC
- DC CURRENT/VOLTAGE RATING-PSE PINS:  
600mA @57V (CONTINUOUS)



LEFT LED



RIGHT LED

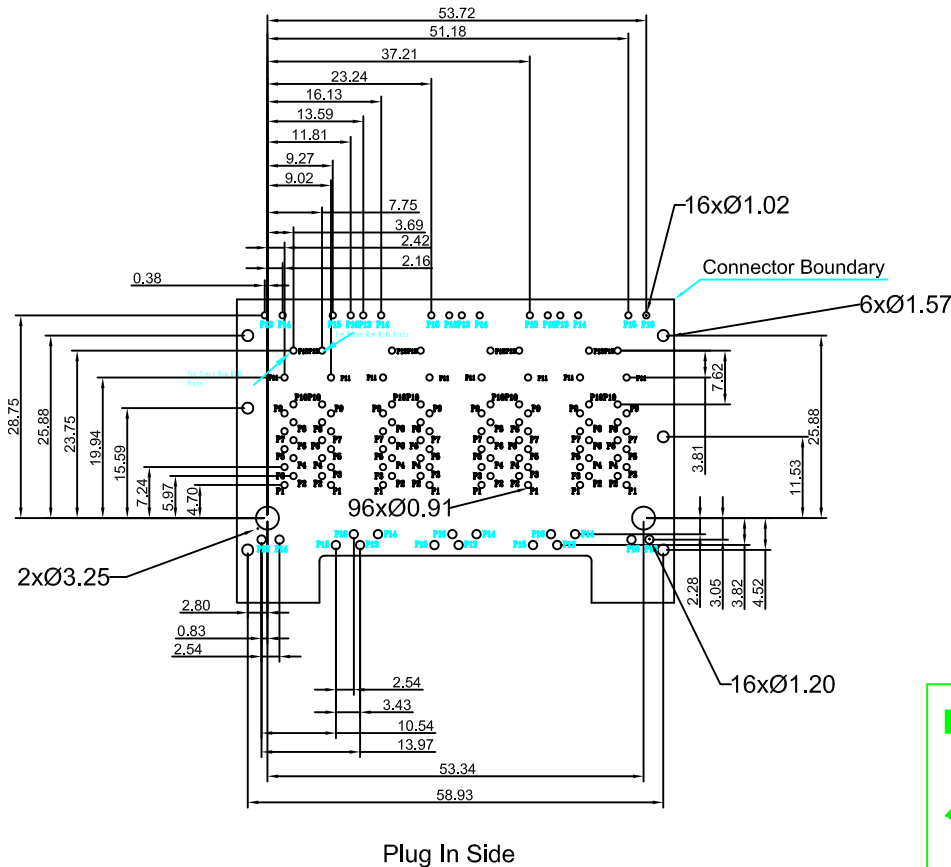
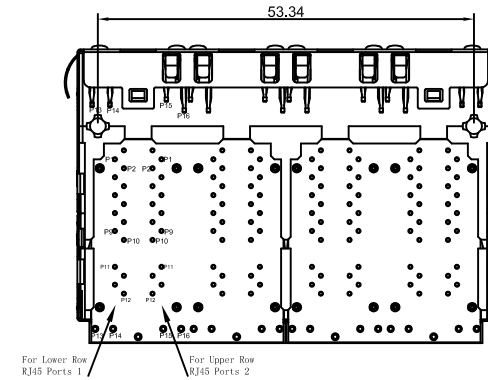
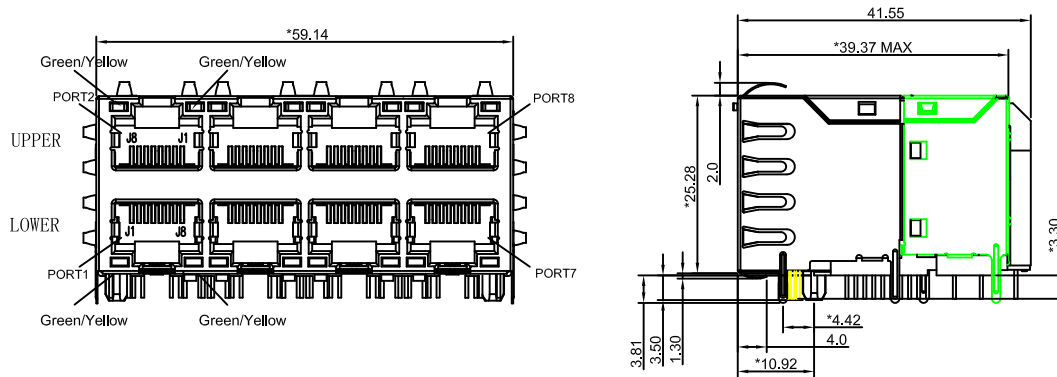
Pin	Green	Yellow		Green	Yellow
P13	+	-	P15	+	-
P14	-	+	P16	-	+



X:X	$\pm 0.30$	APPD:	LINK-PP INT'L TECHNOLOGY CO., LIMITED
X:XX	$\pm 0.25$	CHKD:	
X:XXX	$\pm 0.05$	DR: James	TITLE: RJ45 .Transformer. 1000 Base-T. 2x4 Port For PoE Application
ANGLES	$\pm 1^\circ$	UNIT: mm	PART NO.: LPJG47111A4NL
	SCALE: 2/1	SHEET: 1/2	REV: A    DWG NO.: LP18121408

# Mechanical:

REV.	ECN NO.	DESCRIPTION	DATE	APPD
A	REL		2018/12/14	



## NOTES:

- CONNECTOR MATERIAL:  
 HOUSING: THERMOPLASTIC BLACK UL94 V-0  
 SHIELD: Brass  
 SHIELD PLATING: NICKEL  
 CONTACT: PHOSPHOR BRONZE  
 CONTACT PLATING: SELECTIVE GOLD, 50 MICRO-INCHS MIN IN CONTACT AREA
- PIN NOT ELECTRICALLY CONNECTED MAYBE OMITTED SEE ELECTRICAL DRAWING FOR OMITTED PINS
- RJ45 CAVITIES CONFORM TO FCC RULES AND REGULATION PART 68.
- THE PART IS RECOMMENDED FOR WAVE SOLDERING PROCESS PEAK SOLDERING TEMPERATURE IS 260° C MAX, 10 SECS MAX
- OPERATING TEMPERATURE T=-40° C TO +85° C.
- STORAGE TEMPERATURE T=-40° C TO +85° C.



X:X	±0.30	APPD:	LINK-PP INT'L TECHNOLOGY CO., LIMITED
X:XX	±0.25	CHKD:	
X:XXX	±0.05	DR: James	TITLE: RJ45 .Transformer. 1000 Base-T. 2x4 Port For PoE Application
ANGLES	±1°	UNIT: mm	PART NO.: LPJG47111A4NL
	SCALE: 2/1	SHEET: 2/2	REV: A DWG NO.: LP18121408