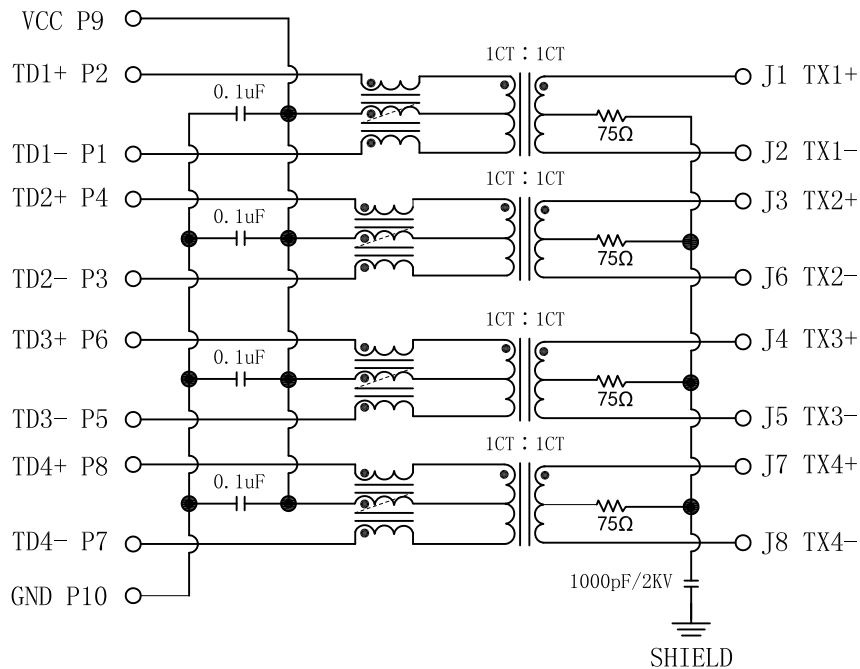


# Schematic:

REV.	ECN NO.	DESCRIPTION	DATE	APPD
A	REL		2015/05/13	

PC BOARD CONNECTIONS



RJ45 CONNECTOR

## Electrical Specifications @25°C

- OCL: 350uH Min  
@100KHz, 0.1Vrms, 8mA DC Bias.
- Turns Ratio ( $\pm 2\%$ ): 1CT : 1CT
- Insertion Loss (dB Max):
 

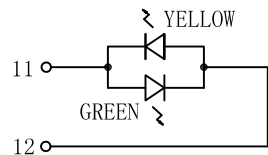
0.1-1MHz: -1.1	1-65MHz: -0.5
65-100MHz: -0.8	100-125MHz: -1.2
- Return Loss (dB Min @100  $\Omega \pm 15\%$ ):
 

0.5-40MHz: -18
40-100MHz: -12+20LOG(f/80MHz)
- Crosstalk:
 

0.1-100MHz: -30dB Min
-----------------------
- CM to CM Rej:
 

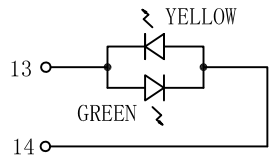
0.1-100MHz: -30dB Min
-----------------------
- CM to DM Rej:
 

0.1-100MHz: -35dB Min
-----------------------
- Hipot: 1500Vac 60s or 2250Vdc 60s.
- Operating Temperature: -40°C ~ +85°C.



LEFT LED

LED POLARITY		COLOR
PIN 11	PIN 12	
+	-	GREEN
-	+	YELLOW



RIGHT LED

LED POLARITY		COLOR
PIN 13	PIN 14	
+	-	GREEN
-	+	YELLOW



Emitting Color	$\lambda$ p(nm)	VF@IF=20mA	IR @VR=5V
GREEN	565	1.8~2.6V	10 $\mu$ A max
YELLOW	585	1.8~2.6V	10 $\mu$ A max

X:X	$\pm 0.30$	APPD:	<b>LINK-PP</b> LINK-PP INT'L TECHNOLOGY CO., LIMITED
X:XX	$\pm 0.25$	CHKD:	
X:XXX	$\pm 0.05$	DR: TOM	TITLE: RJ45 .Transformer.1000 Base-T W/LED. 2x4 Port
ANGLES	$\pm 1^\circ$	UNIT: mm	PART NO.: LPJG47038A4NL
	SCALE: 2/1	SHEET: 1/2	REV: A
			DWG NO.: LP15051310

