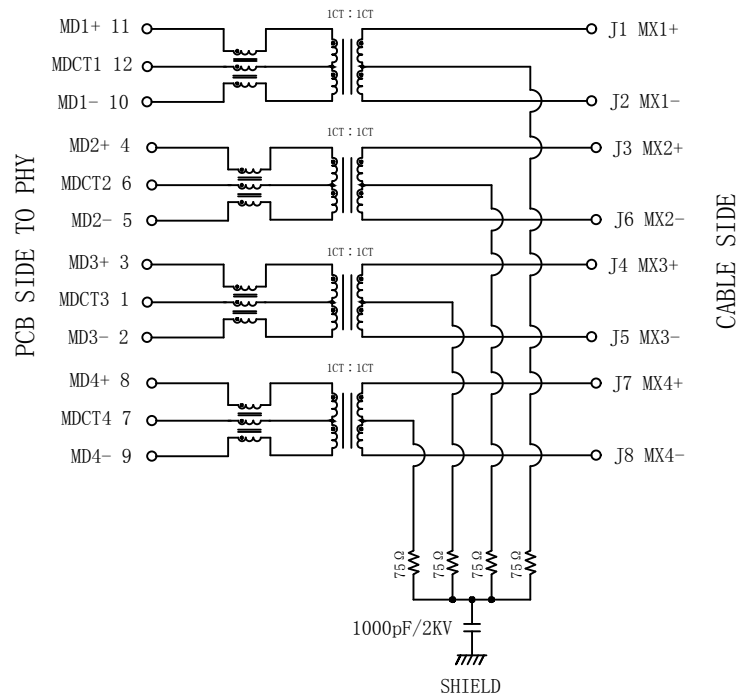


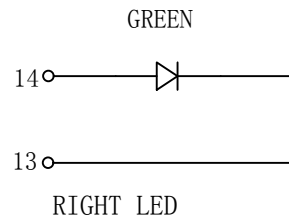
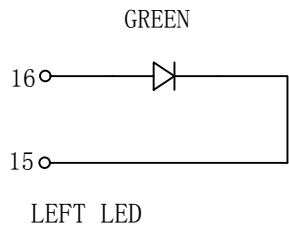
# Schematic:

REV.	ECN NO.	DESCRIPTION	DATE	APPD
A	REL		2017/08/05	



## Electrical Specification @25°C

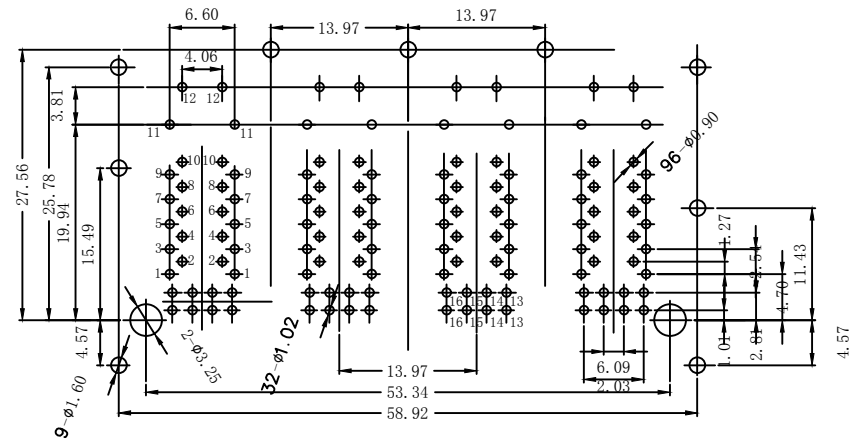
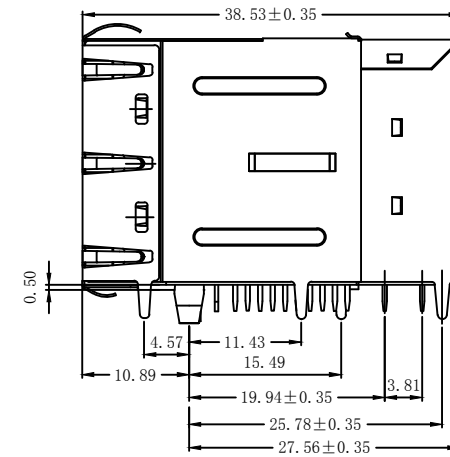
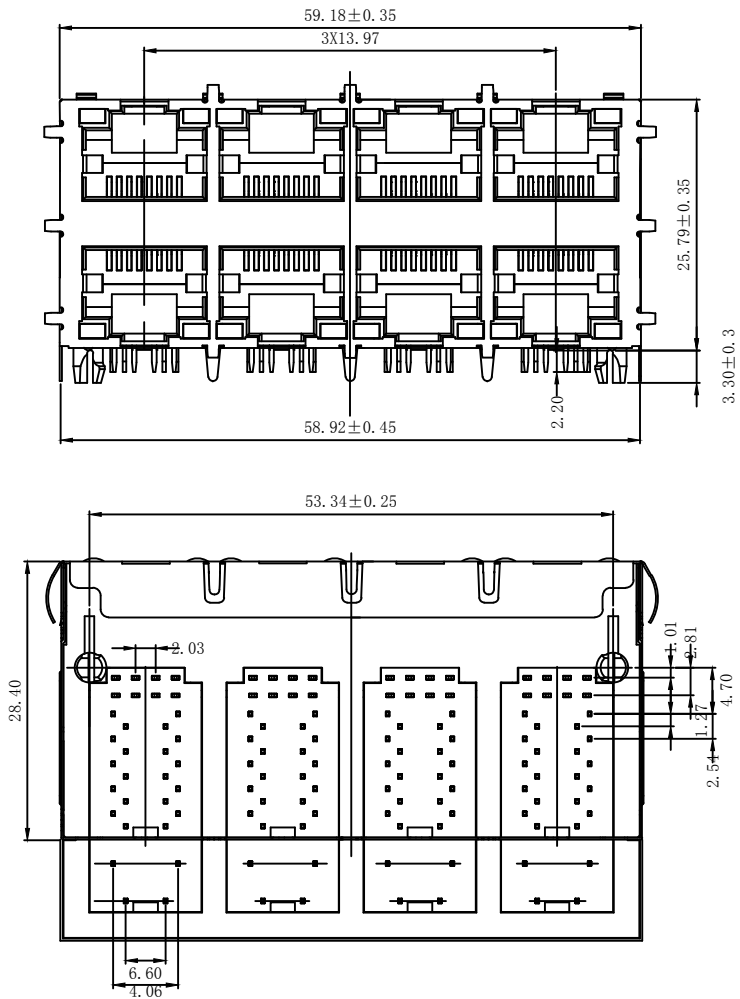
- Turns Ratio ( $\pm 2\%$ ): 1CT : 1CT
- OCL: 200uH Min  
@100KHz, 100mVrms, Lp
- DCR: 1.2  $\Omega$  max
- Insertion Loss:  
100KHz-10MHz: -1.0dB Max  
100KHz-650MHz: -3.0dB Max
- Return Loss (dB Min):  
1-40MHz: -18      40-400MHz: -8  
400-500MHz: -5
- Crosstalk (dB Typ):  
1-500MHz: -30
- Common to Mode Rejection (dB Typ):  
1-500MHz: -25
- Hipot: 1500Vrms/1minute
- Operating Temperature: -20°C ~ +70°C.



X:X	$\pm 0.20$	APPD:	LINK-PP INT'L TECHNOLOGY CO., LIMITED	
X:XX	$\pm 0.10$	CHKD:	TITLE: RJ45 Transformer 2.5G Base-T W/LED. 2x4 Port For PoE Application	
X:XXX	$\pm 0.05$	DR: James	PART NO.: LPJG47036AWN	
ANGLES	$\pm 1^\circ$	UNIT: mm		
	SCALE: 2/1	SHEET: 1/2	REV: A	DWG NO.: LP17080508

# Mechanical:

REV.	ECN NO.	DESCRIPTION	DATE	APPD
A	REL		2017/08/05	



SUGGESTED PCB LAYOUT (TOP VIEW)

## NOTES:

1. Designed to support application, such as SOHO (ADSL modems), LAN-on-Motherboard (LOM), hub and Switches.
2. Meets IEEE 802.3af specification
3. With a forward current of 20mA, Absolute maximum Ratings
4. Connector Materials:  
Housing: Thermoplastic UL94V-0  
Contact/Shield: Copper alloy  
Shield plating: Nickel  
Contact plating: Gold 6 micro-inches min. In contact area.
5. Wave solder tip temperature: 265°C Max, 5 Sec Max.
6. UL Certification: File Number E484635



X:X	±0.20	APPD:	LINK-PP INT'L TECHNOLOGY CO., LIMITED	
X:XX	±0.10	CHKD:	TITLE: RJ45 Transformer 2.5G Base-T W/LED. 2×4 Port For PoE Application	
X:XXX	±0.05	DR: James	PART NO.: LPJG47036AWN	
ANGLES	±1°	UNIT: mm	DWG NO.: LP17080508	
	SCALE: 2/1	SHEET: 2/2	REV: A	