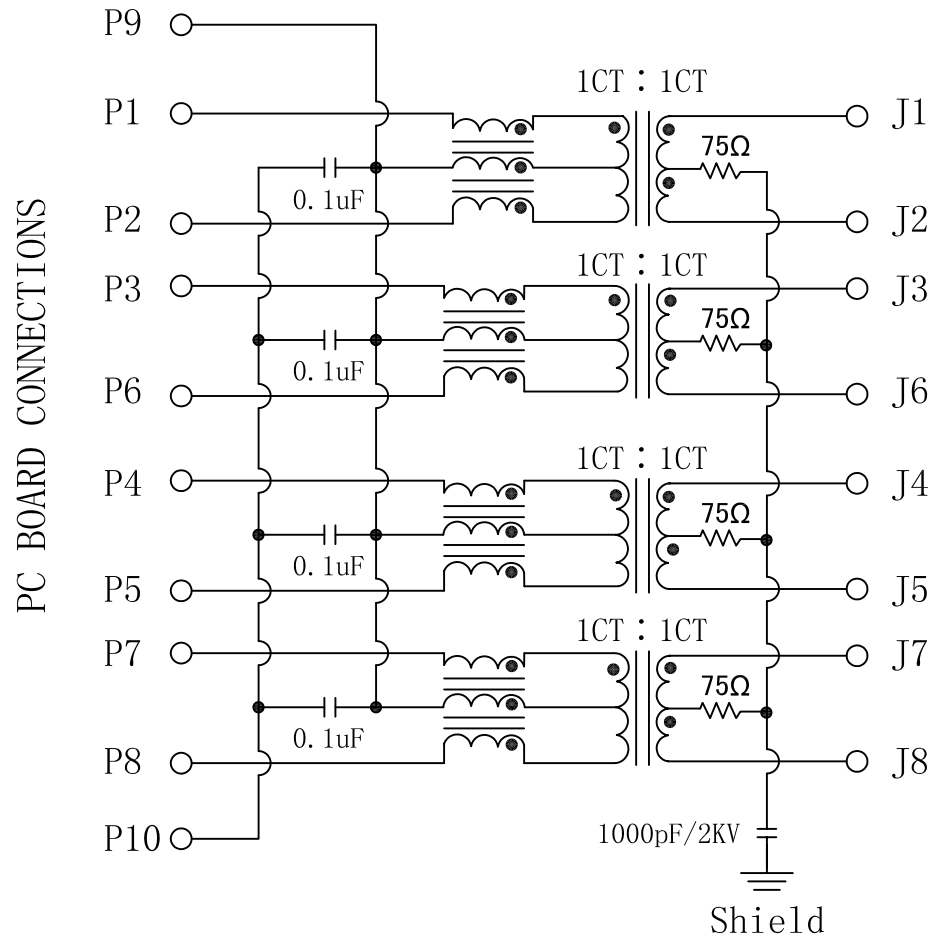


Schematic:

REV.	ECN NO.	DESCRIPTION	DATE	APPD
A	REL		2011/07/01	



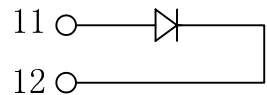
RJ45 CONNECTOR

Electrical Specifications @25°C

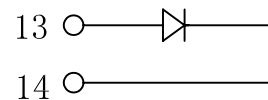
- Turns Ratio ($\pm 2\%$) :
1CT : 1CT
- OCL: 350µH MIN
@100KHz, 100mV, 8mA
- Return Loss (dB TYP @100Ω) :
1-30MHz: -18; 30-45MHz: -16
45-60MHz: -14; 60-80MHz: -12
- Crosstalk (dB TYP) :
1-100MHz: -30
- Insertion Loss:
1-100MHz: -1.0dB Max
- CMR (dB TYP) :
1-100MHz: -35
- Hipot: 1500Vrms
- Operating Temperature: 0°C ~ 70°C.



GREEN/LEFT LED



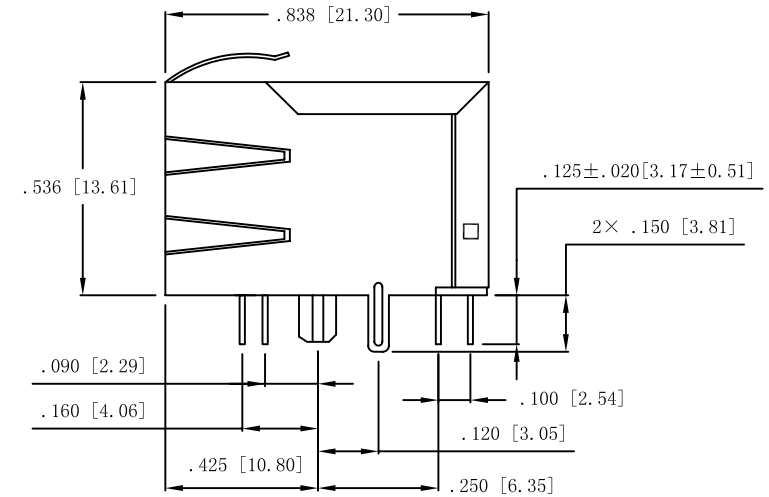
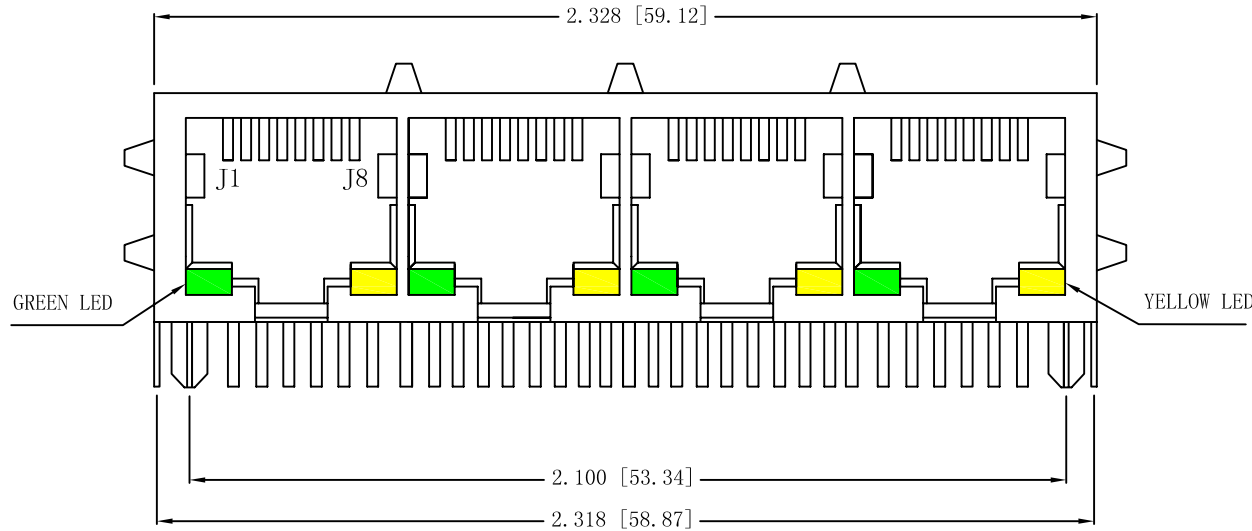
YELLOW/RIGHT LED



X:X	± 0.20	APPD:	LINK-PP INT'L TECHNOLOGY CO., LIMITED	
X:XX	± 0.10	CHKD:		
X:XXX	± 0.05	DR: TOM	Title: RJ45 Connector With 1000 Base-TX Integrated Magnetic	
ANGLES	$\pm 1^\circ$	UNIT: Inches/mm	PART NO.: LPJG46856AENL	
	SCALE: 2/1	SHEET: 1/2	REV: A	DWG NO.: LP11070104

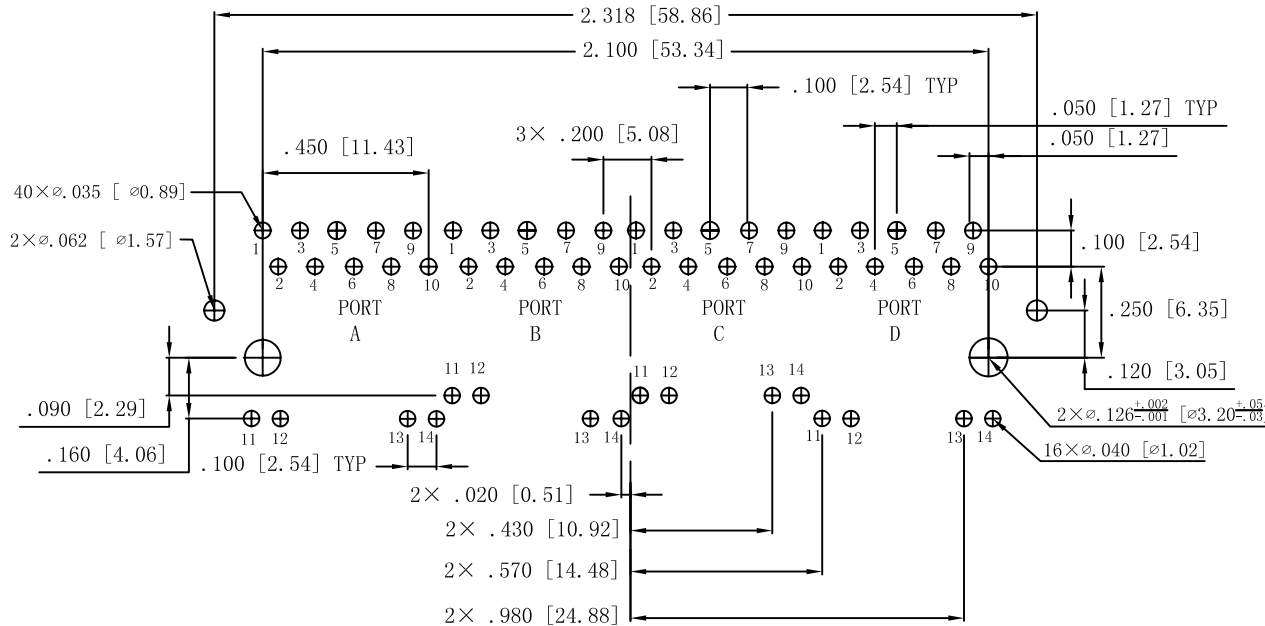
Mechanical:

REV.	ECN NO.	DESCRIPTION	DATE	APPD
A	REL		2011/07/01	



NOTES:

1. Designed to support application, such as SOHO (ADSL modems), LAN-on-Motherboard (LOM), hub and Switches.
2. Meets IEEE 802.3 specification
3. Connector Materials:
 Housing: Thermoplastic UL94V-0
 Contact/Shield: Copper alloy
 Shield plating: Nickel
 Contact plating: Gold 6 micro-inches min. In contact area.
4. Wave solder tip temperature: 265°C Max
 Wave solder tip temperature time: 5 Sec Max



SUGGESTED PCB LAYOUT (TOP VIEW)

X:X	±0.20	APPD:	LINK-PP INT'L TECHNOLOGY CO., LIMITED
X:XX	±0.10	CHKD:	
X:XXX	±0.05	DR: TOM	Title: RJ45 Connector With 1000 Base-TX Integrated Magnetic
ANGLES	±1°	UNIT: Inches/mm	PART NO.: LPJG46856AENL
	SCALE: 2/1	SHEET: 2/2	REV: A DWG NO.: LP11070104