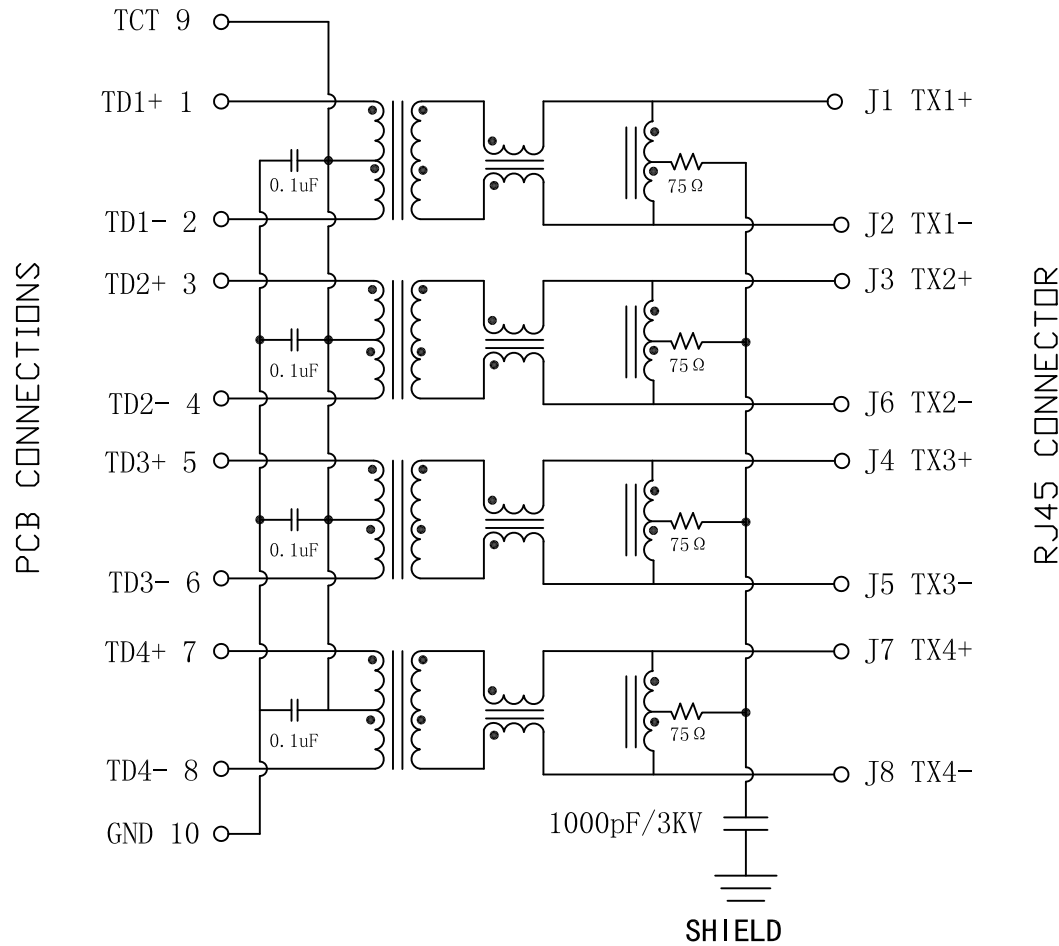


Schematic:

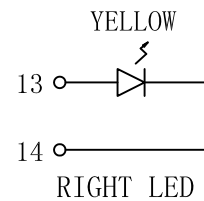
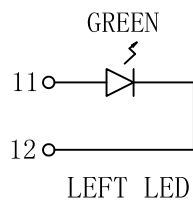
REV.	ECN NO.	DESCRIPTION	DATE	APPD
A	REL		2014/08/02	



Electrical Specifications @25°C

- Turns Ratio: 1CT : 1
- OCL: 350uH MIN
@100KHz, 0.1V, 8mA DC Bias
- Insertion Loss:
1~100MHz: -1.0dB MAX
- Return Loss:
1~30MHz: -18dB MIN @100 Ω
30~60MHz: -16dB MIN @100 Ω
60~80MHz: -12dB MIN @100 Ω
80~100MHz: -10dB MIN @100 Ω
- Crosstalk:
1~100MHz: -30dB MIN
- Common Mode Rejection:
1~100MHz: -30dB MIN
- Hipot Test: 1500Vrms MIN
- Operating Temperature: 0°C TO +70°C.

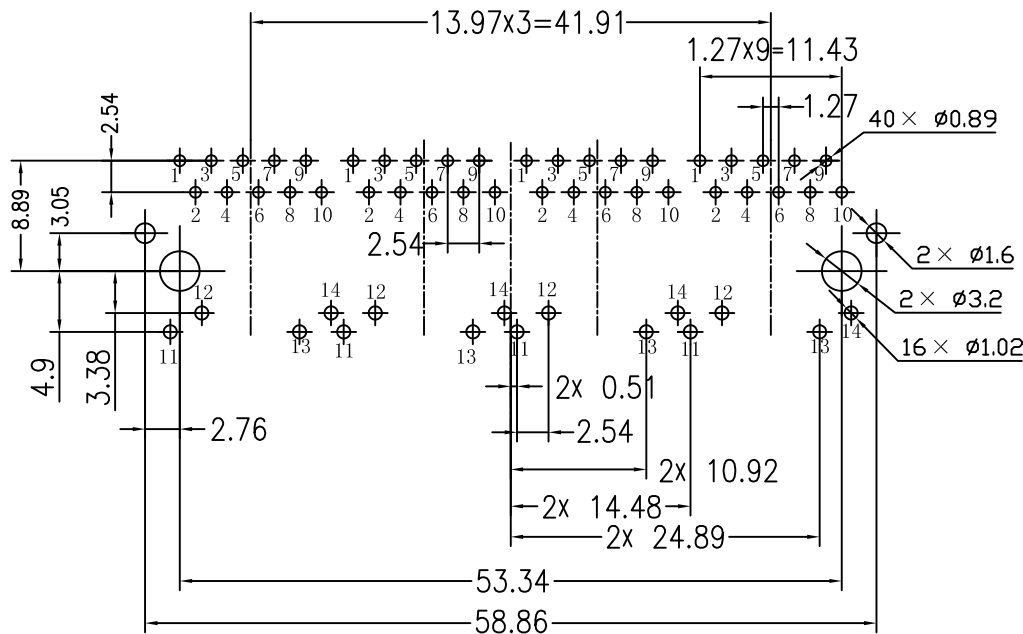
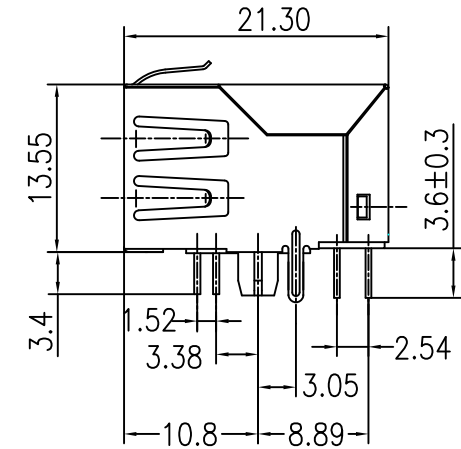
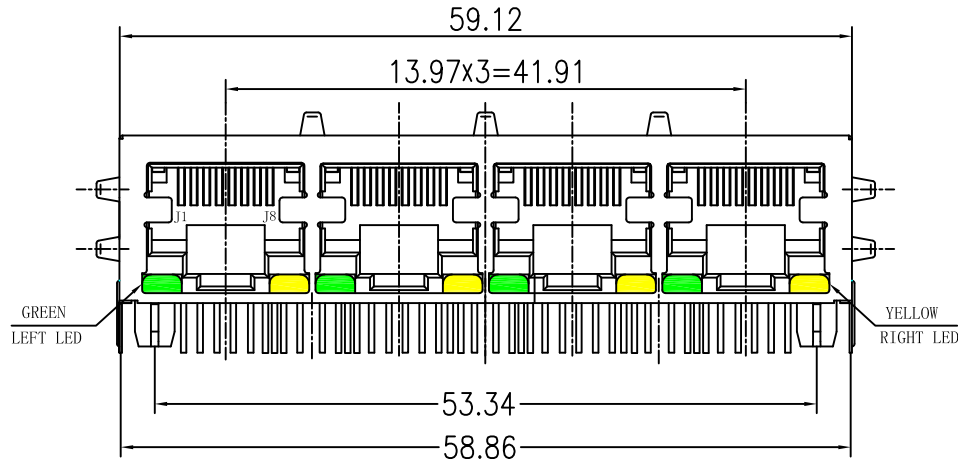
Emitting Color	λ p(nm)	VF@IF=20mA	IR @VR=5V
GREEN	565	1.8~2.6V	10 μ A max
YELLOW	585	1.8~2.6V	10 μ A max



X:X	±0.30	APPD:	LINK-PP INT'L TECHNOLOGY CO., LIMITED
X:XX	±0.25	CHKD:	
X:XXX	±0.05	DR: TOM	TITLE: RJ45 Connector With 1000 Base-TX Integrated Magnetic
ANGLES	±1°	UNIT: mm	PART NO.: LPJG46842AENL-1
	SCALE: 2/1	SHEET: 1/2	REV: A DWG: LP15092301

Mechanical:

REV.	ECN NO.	DESCRIPTION	DATE	APPD
A	REL		2015/09/23	



SUGGESTED PCB LAYOUT (TOP VIEW)

NOTES:

1. Designed to support application, such as SOHO (ADSL modems), LAN-on-Motherboard (LOM), hub and Switches.
2. Meets IEEE 802.3 specification
3. Connector Materials:
 Housing: Thermoplastic UL94V-0
 Contact/Shield: Copper alloy
 Shield plating: Nickel
 Contact plating: Gold 6 micro-inches min. In contact area.
4. Wave peak temperature: 260°C, 5Sec.



X:X	±0.30	APPD:	LINK-PP INT'L TECHNOLOGY CO., LIMITED	
X:XX	±0.25	CHKD:	TITLE: RJ45 Connector With 1000 Base-TX Integrated Magnetic	
X:XXX	±0.05	DR: TOM	PART NO.: LPJG46842AENL-1	
ANGLES	±1°	UNIT: mm		
	SCALE: 2/1	SHEET: 2/2	REV: A	DWG: LP15092301