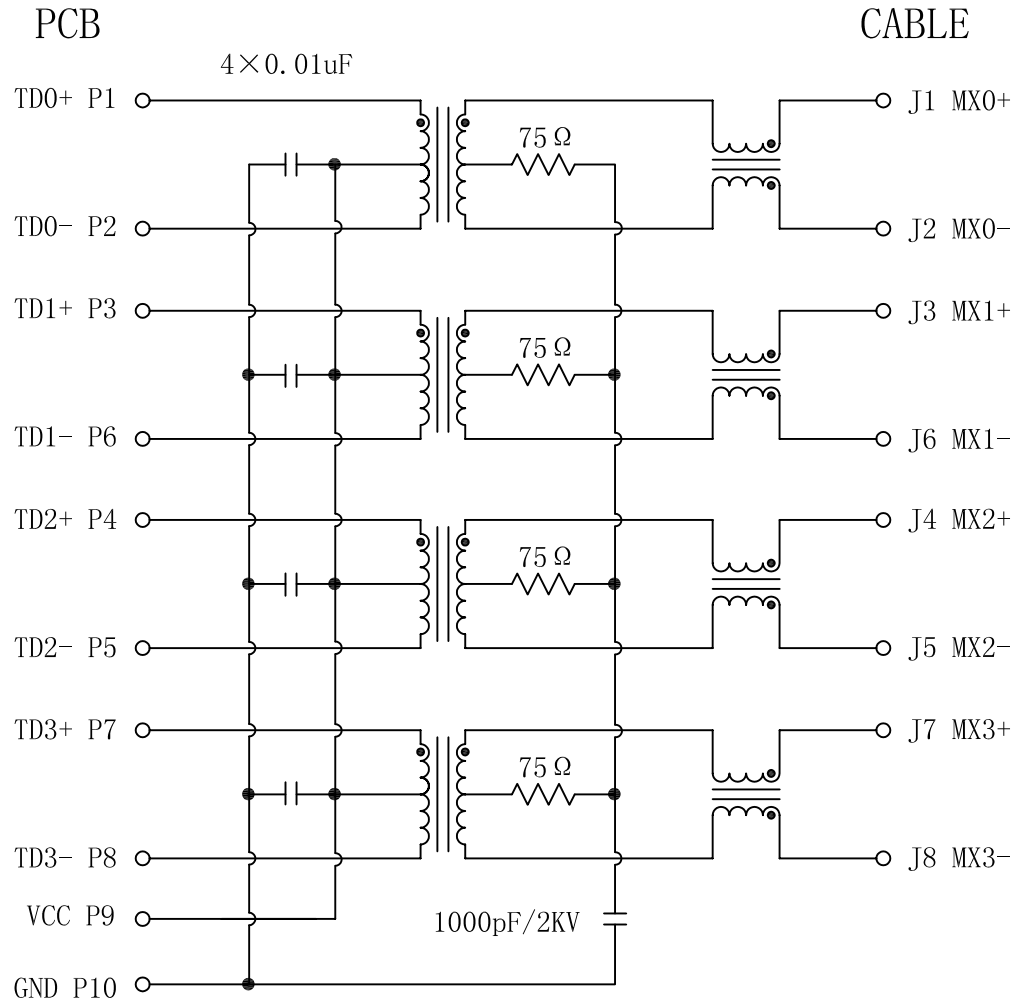
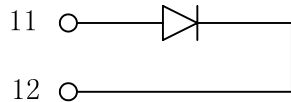


# Schematic:

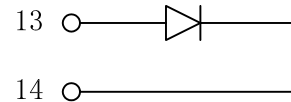
REV.	ECN NO.	DESCRIPTION	DATE	APPD
A	REL		2010/05/26	



GREEN/LEFT LED



GREEN/RIGHT LED



## ELECTRICAL SPECIFICATIONS @25°C

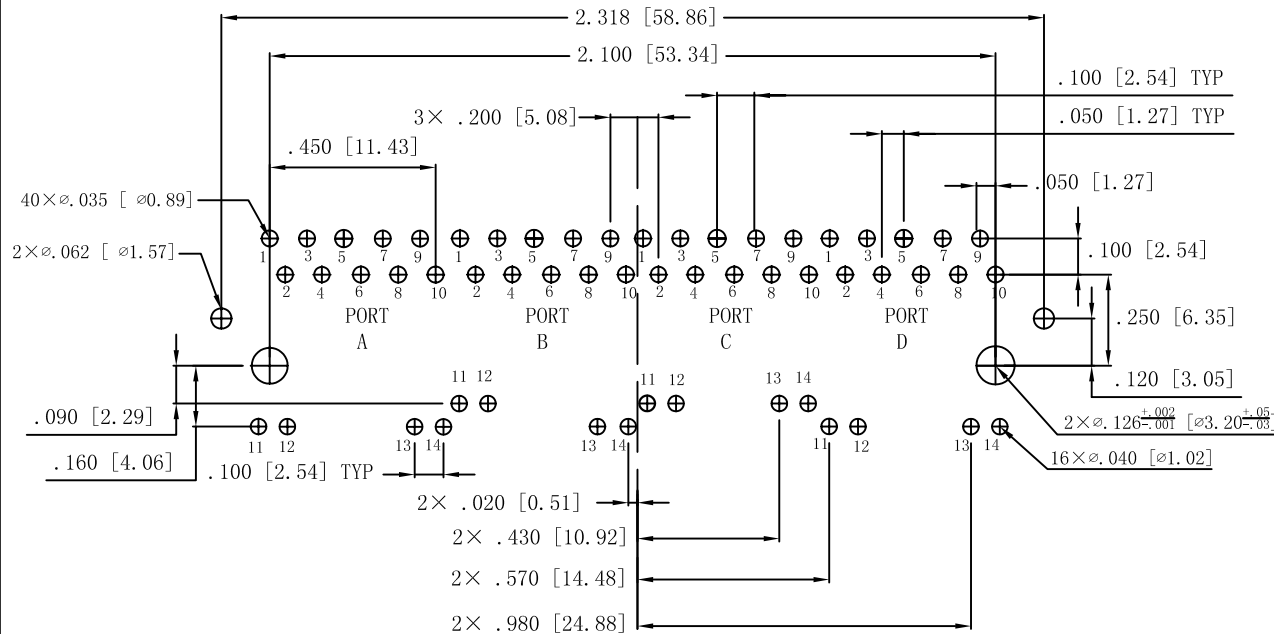
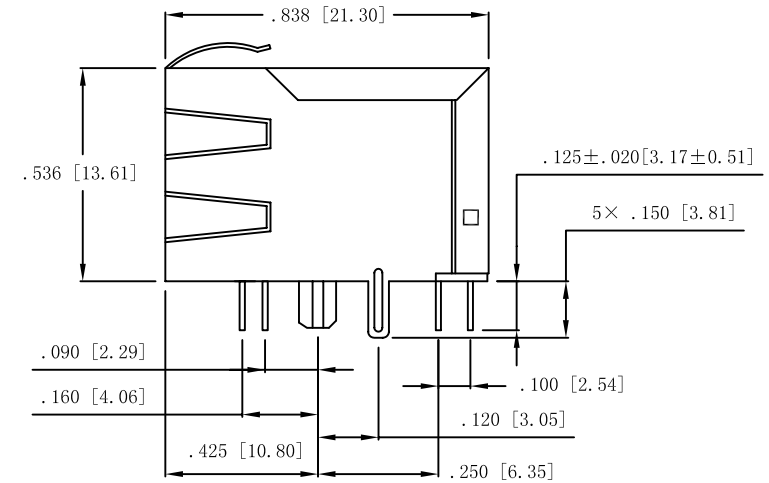
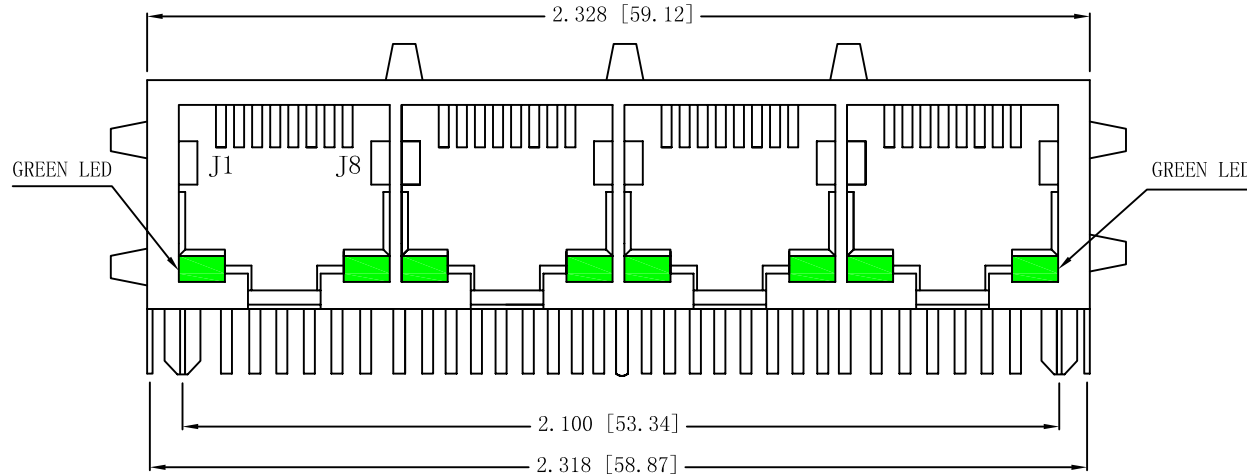
- Turn Ratio ( $\pm 2\%$ ):  
TX=1CT:1CT RX=1CT:1CT
- Inductance OCL:  
350uH MIN@100KHz/0.1V, 8mA DC Bias
- Insertion Loss:  
-1.0dB MAX @ 1.0-65MHz
- Return Loss:  
-20dB MIN @ 1-10MHz  
-16dB MIN @ 10-30MHz  
-12dB MIN @ 30-60MHz  
-10dB MIN @ 60-100MHz
- Cross talk:  
-40dB MIN @ 1-30MHz  
-35dB MIN @ 30-60MHz  
-30dB MIN @ 60-100MHz
- Common Mode Rejection:  
-30dB MIN @ 1-50MHz  
-20dB MIN @ 50-150MHz
- Hipot Test: 1500Vrms MIN
- Operating Temperature Range: 0°C TO 70°C.



X:X	$\pm 0.20$	APPD:	LINK-PP INT'L TECHNOLOGY CO., LIMITED	
X:XX	$\pm 0.10$	CHKD:	Title: RJ45 Connector With 1000 Base-TX Integrated Magnetic	
X:XXX	$\pm 0.05$	DR: TOM		
ANGLES	$\pm 1^\circ$	UNIT: Inches/mm	PART NO.:	LPJG46813AFNL
	SCALE: 2/1	SHEET: 1/2	REV: A	DWG NO.: LP10052601

# Mechanical:

REV.	ECN NO.	DESCRIPTION	DATE	APPD
A	REL		2010/05/26	



SUGGESTED PCB LAYOUT (TOP VIEW)

## NOTES:

1. Designed to support application, such as SOHO (ADSL modems), LAN-on-Motherboard (LOM), hub and Switches.
2. Meets IEEE 802.3 specification
3. Connector Materials:  
 Housing: Thermoplastic UL94V-0  
 Contact/Shield: Copper alloy  
 Shield plating: Nickel  
 Contact plating: Gold 6 micro-inches min. In contact area.
4. Wave solder tip temperature: 265°C Max  
 Wave solder tip temperature time: 5 Sec Max



X:X	±0.20	APPD:	LINK-PP INT'L TECHNOLOGY CO., LIMITED
X:XX	±0.10	CHKD:	
X:XXX	±0.05	DR: TOM	
ANGLES	±1°	UNIT: Inches/mm	Title: RJ45 Connector With 1000 Base-TX Integrated Magnetic PART NO.: LPJG46813AFNL
	SCALE: 2/1	SHEET: 2/2	REV: A DWG NO.: LP10052601