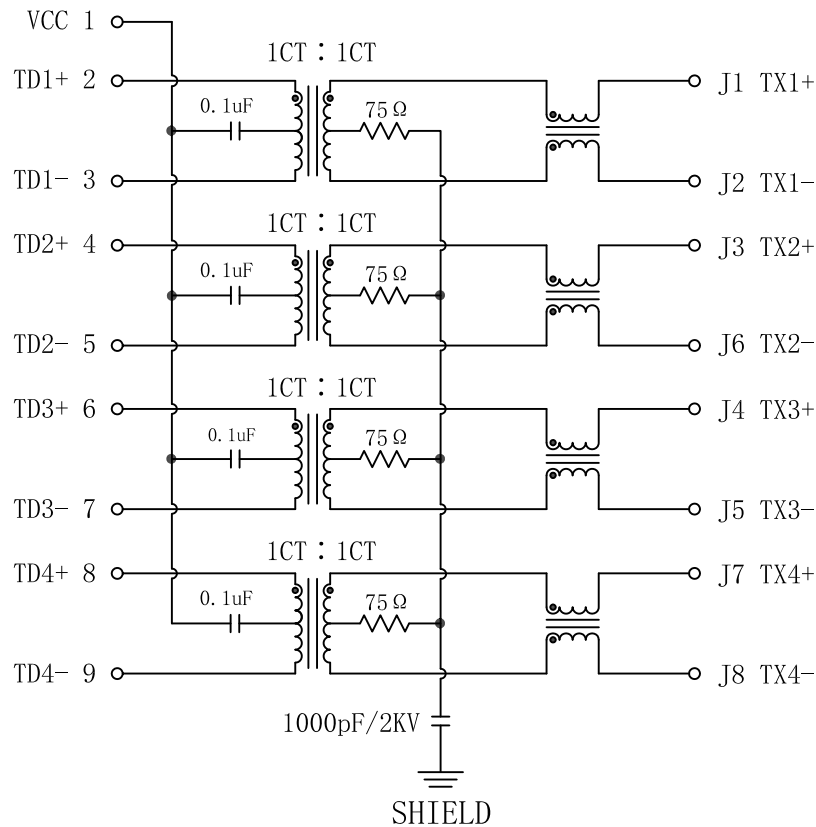


Schematic:

REV.	ECN NO.	DESCRIPTION	DATE	APPD
A	REL		2018/12/25	

PCB CONNECTIONS

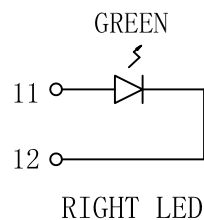
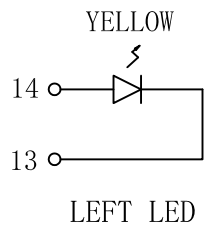


RJ45 CONNECTOR

Electrical Specifications @25°C

- Turn Ratio:
Pri : Sec = 1CT : 1CT
- OCL (@100KHz, 0.1V, 8mA DC Bias):
350uH MIN
- Insertion Loss:
1~100MHz: -1.0dB MAX
100~125MHz: -1.2dB MAX
- Return Loss:
1~40MHz: -16dB MIN
40~60MHz: -12dB MIN
60~80MHz: -10dB MIN
80~100MHz: -8dB MIN
- Crosstalk:
1~100MHz: -30dB MIN
- Common to Common Mode Attenuation:
1~100MHz: -30dB MIN
- Hipot: 1500Vrms MIN
- Operating Temperature: -40°C ~ +85°C.

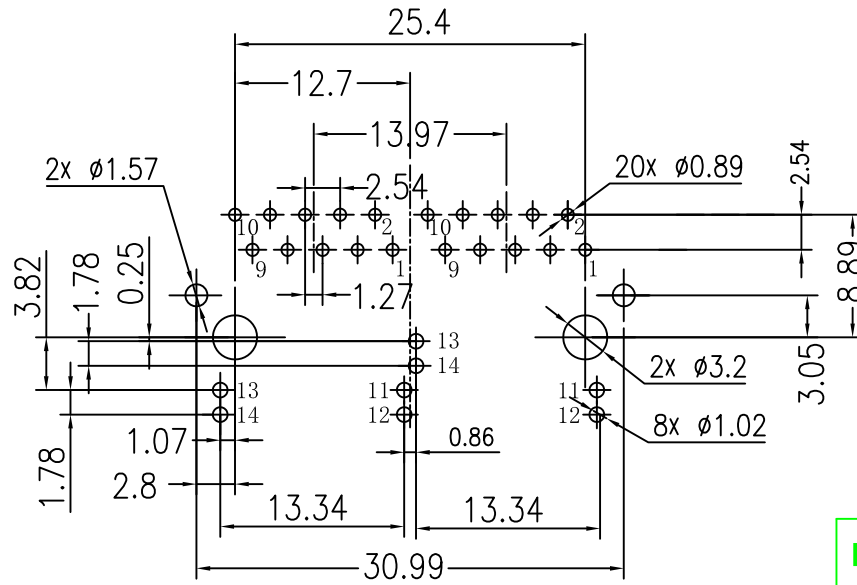
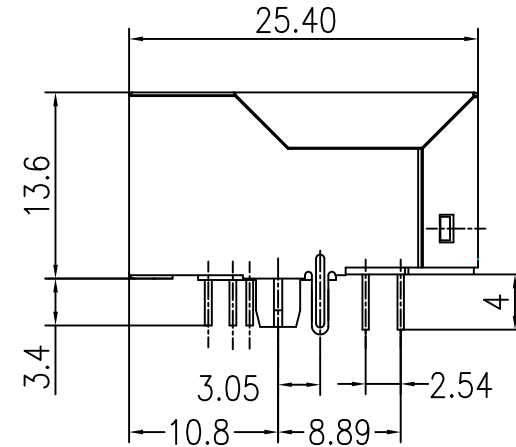
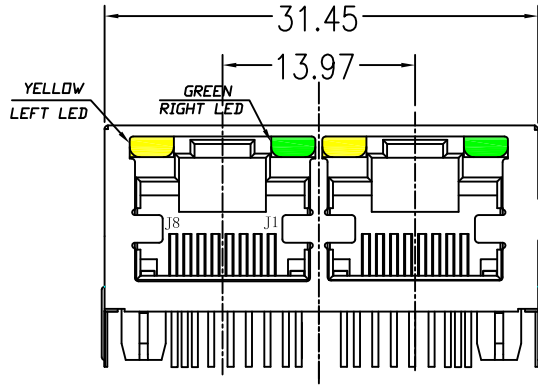
Emitting Color	λ p(nm)	V _F @I _F =20mA	I _R @V _R =5V
GREEN	565	1.8~2.6V	10 μ A max
YELLOW	585	1.8~2.6V	10 μ A max



X:X	± 0.30	APPD:	LINK-PP INT'L TECHNOLOGY CO., LIMITED
X:XX	± 0.25	CHKD:	
X:XXX	± 0.05	DR: TOM	TITLE: RJ45 Connector With 1000 Base-TX Integrated Magnetic TAB UP
ANGLES	$\pm 1^\circ$	UNIT: mm	PART NO.: LPJG29864BANL-2
	SCALE: 2/1	SHEET: 1/2	REV: A DWG: LP18122510

Mechanical:

REV.	ECN NO.	DESCRIPTION	DATE	APPD
A	REL		2018/12/25	



SUGGESTED PCB LAYOUT (TOP VIEW)

NOTES:

1. Designed to support application, such as SOHO (ADSL modems), LAN-on-Motherboard (LOM), hub and Switches.
2. Meets IEEE 802.3 specification
3. Connector Materials:
 Housing Material: Thermoplastic PBT+30%G. F UL94V-0
 Contact Material: Phosphor Bronze C5210R-EH Thickness=0.35mm
 Pins: Brass C2680R-H Thickness=0.35mm
 Shield: SUS 201-1/2H Thickness=0.2mm
 Contact plating: Gold 6 micro-inches min. In contact area.
4. Wave solder tip temperature: 265°C Max, 5 Sec.
5. UL Certification: File Number E484635.



X:X	±0.30	APPD:	LINK-PP INT'L TECHNOLOGY CO., LIMITED
X:XX	±0.25	CHKD:	
X:XXX	±0.05	DR: TOM	TITLE: RJ45 Connector With 1000 Base-TX Integrated Magnetic TAB UP
ANGLES	±1°	UNIT: mm	PART NO.: LPJG29864BANL-2
	SCALE: 2/1	SHEET: 2/2	REV: A DWG: LP18122510