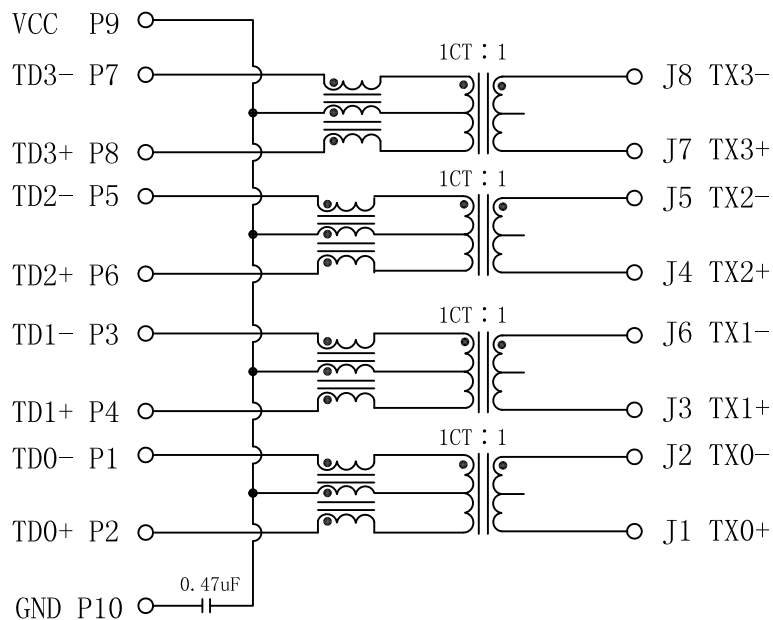


Schematic:

REV.	ECN NO.	DESCRIPTION	DATE	APPD
A	REL		2011/07/28	

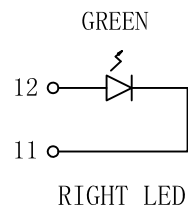
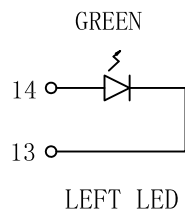
PCB CONNECTIONS



RJ45 CONNECTOR

Electrical Specifications @25°C

- Turns Ratios: 1CT : 1
- OCL (@100KHz, 0.1V, 8mA DC BIAS):
350uH MIN
- Insertion Loss:
1~100MHz: -1.0dB MAX
- Return Loss:
1~10MHz: -20dB MIN. load 100Ω±15Ω
30MHz: -16dB MIN. load 100Ω±15Ω
60~80MHz: -12dB MIN. load 100Ω±15Ω
- Crosstalk:
1~10MHz: -40dB MIN
30~60MHz: -35dB MIN
60~100MHz: -30dB MIN
- Common Mode Rejection:
1~125MHz: -30dB MIN
125~500MHz: -20dB MIN
- HiPot Test: 1500Vrms MIN
- Operating Temperature: 0°C TO +70°C.



X:X	±0.30	APPD:	LINK-PP INT'L TECHNOLOGY CO., LIMITED	
X:XX	±0.25	CHKD:	TITLE: RJ45 Connector With 1000 Base-TX Integrated Magnetic TAB UP	
X:XXX	±0.05	DR: TOM		
ANGLES	±1°	UNIT: mm	PART NO.: LPJG28851AWN	
	SCALE: 2/1	SHEET: 1/2	REV: A	DWG: LP11072810

