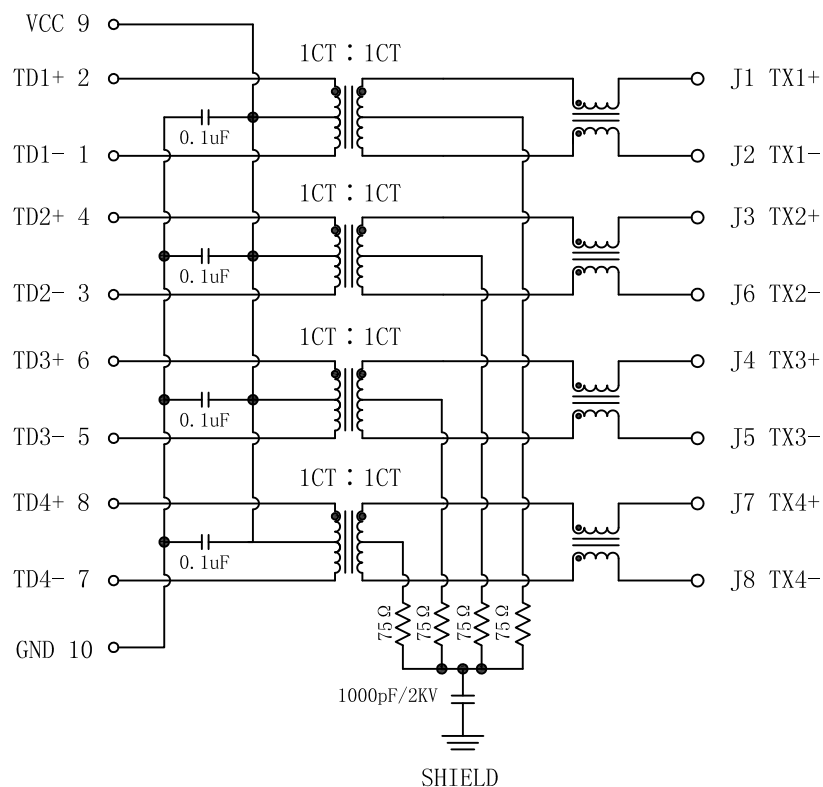


Schematic:

REV.	ECN NO.	DESCRIPTION	DATE	APPD
A	REL		2012/04/11	

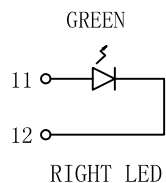
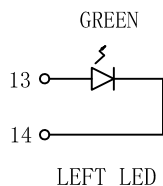
PCB CONNECTIONS



RJ45 CONNECTOR

Electrical Specifications @25°C

1. OCL (100KHz, 0.1V, 8mA DC BIAS):
350uH MIN
2. Insertion Loss:
1~100MHz: -1.0dB MAX
100~125MHz: -1.2dB MAX
3. Return Loss:
1~30MHz: -18dB MIN. load $100\Omega \pm 15\Omega$
30~60MHz: -16dB MIN. load $100\Omega \pm 15\Omega$
60~80MHz: -12dB MIN. load $100\Omega \pm 15\Omega$
80~100MHz: -10dB MIN. load $100\Omega \pm 15\Omega$
4. Crosstalk:
1~30MHz: -40dB MIN
30~60MHz: -35dB MIN
60~100MHz: -30dB MIN
5. Common Mode Rejection:
1~60MHz: -40dB MIN
60~100MHz: -30dB MIN
6. HiPot (60Hz/1min): 1500Vrms MIN
7. Operating Temperature: 0°C TO +70°C.



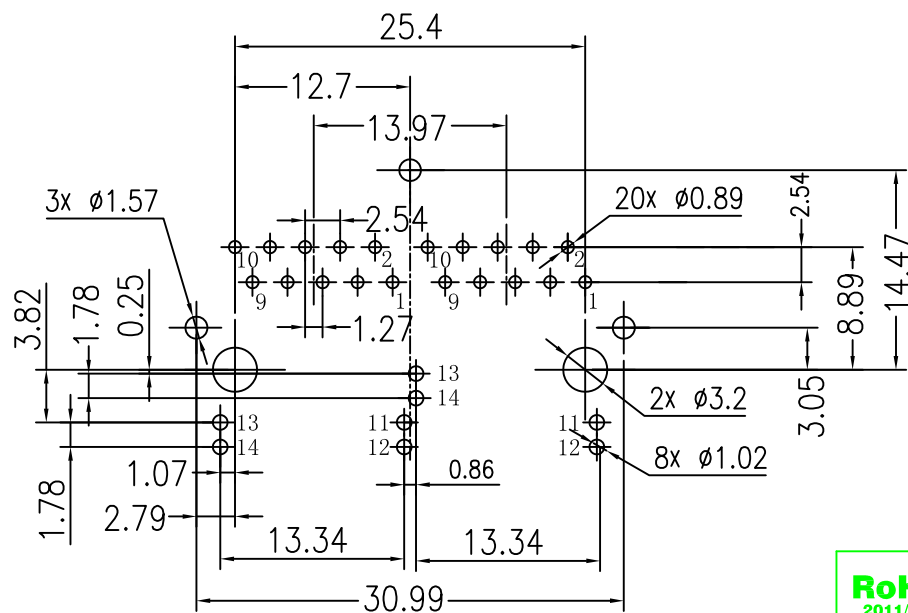
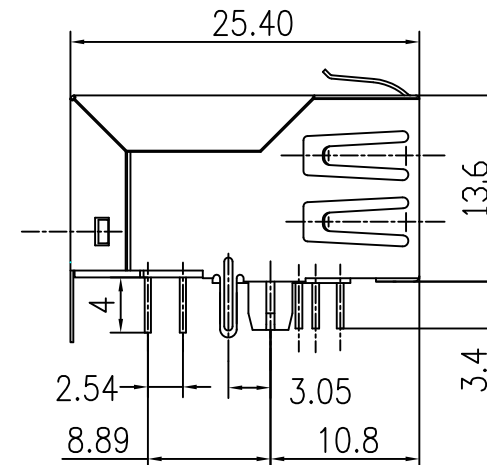
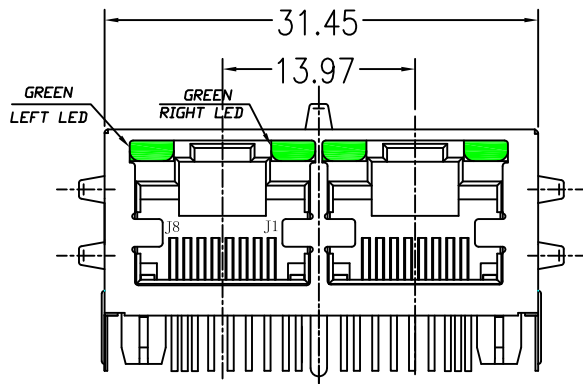
Emitting Color	λ p(nm)	VF@IF=20mA	IR @VR=5V
GREEN	565	1.8~2.6V	10 μ A max



X:X	± 0.30	APPD:	LINK-PP INT'L TECHNOLOGY CO., LIMITED
X:XX	± 0.25	CHKD:	
X:XXX	± 0.05	DR: TOM	TITLE: RJ45 Connector With 1000 Base-TX Integrated Magnetic TAB UP
ANGLES	$\pm 1^\circ$	UNIT: mm	PART NO.: LPJG28818AFNL
	SCALE: 2/1	SHEET: 1/2	REV: A
			DWG: LP12041111

Mechanical:

REV.	ECN NO.	DESCRIPTION	DATE	APPD
A	REL		2012/04/11	



SUGGESTED PCB LAYOUT (TOP VIEW)



NOTES:

1. Designed to support application, such as SOHO (ADSL modems), LAN-on-Motherboard (LOM), hub and Switches.
2. Meets IEEE 802.3 specification
3. Connector Materials:
 Housing: Thermoplastic UL94V-0
 Contact/Shield: Copper alloy
 Shield plating: Nickel
 Contact plating: Gold 6 micro-inches min. In contact area.
4. Wave solder tip temperature: 265°C Max
 Wave solder tip temperature time: 5 Sec Max

X:X	±0.30	APPD:	LINK-PP INT'L TECHNOLOGY CO., LIMITED
X:XX	±0.25	CHKD:	
X:XXX	±0.05	DR: TOM	TITLE: RJ45 Connector With 1000 Base-TX Integrated Magnetic TAB UP
ANGLES	±1°	UNIT: mm	PART NO.: LPJG28818AFNL
	SCALE: 2/1	SHEET: 2/2	REV: A DWG: LP12041111