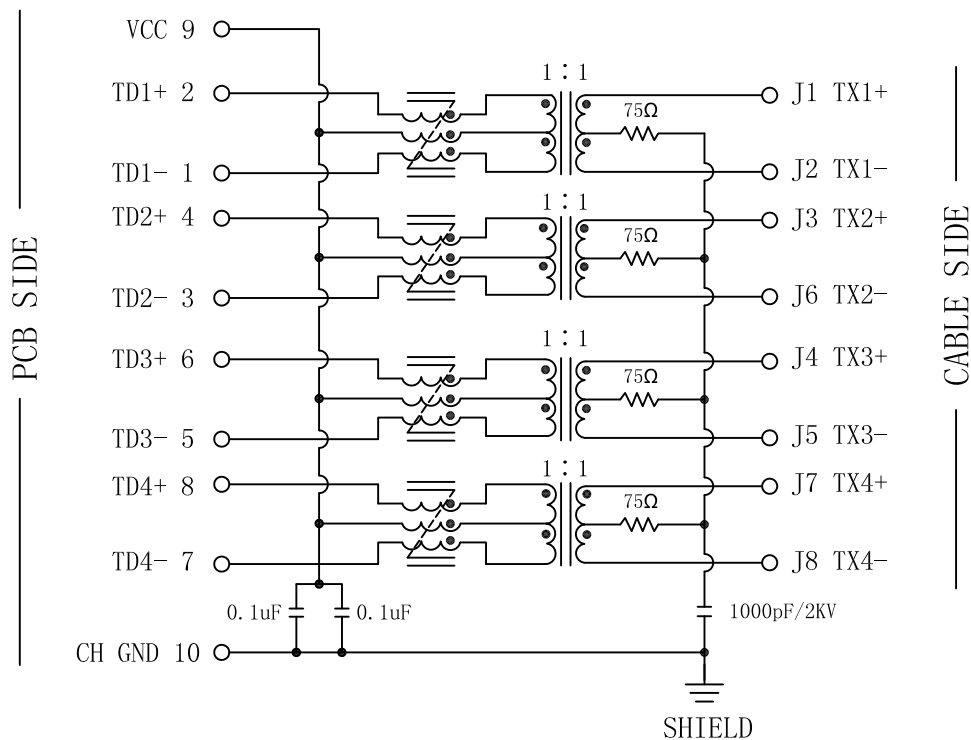


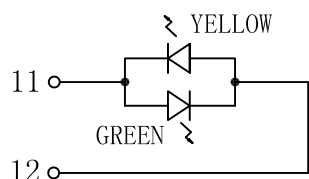
Schematic:

REV.	ECN NO.	DESCRIPTION	DATE	APPD
A	REL		2011/05/21	



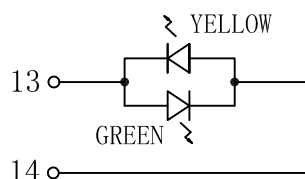
Electrical Specifications @25°C

1. OCL (@100KHz, 100mV, 8mA DC Bias):
350uH Min
2. Turns Ratio: 1CT : 1CT ±2%
3. Insertion Loss:
100KHz: -1.2dB Max
1~125MHz: $-0.2 - 0.002 * f^{1.4}$ dB Max
4. Return Loss (@100 Ω ±15%):
0.1~40MHz: -18dB Min
40~100MHz: $-12 + 20 * \text{Log}_{10}(f/80\text{MHz})$ dB Min
5. Crosstalk (dB Min):
1MHz: -50
10~100MHz: $-55 + 22 * \text{Log}_{10}(f/10)$
6. Common Mode Rejection Ratio:
2MHz: -50dB Min
30~200MHz: $-15 + 20 * \text{Log}_{10}(f/200)$ dB Min
7. Hi-Pot: 1500Vrms @60Hz
8. Operating Temperature: 0°C ~70°C.



LEFT LED

LED POLARITY		COLOR
PIN 11	PIN 12	
+	-	GREEN
-	+	YELLOW



RIGHT LED

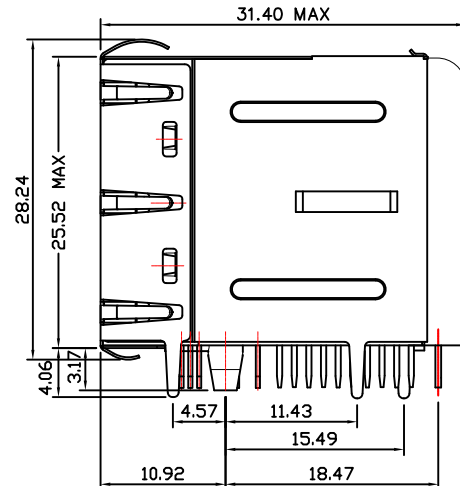
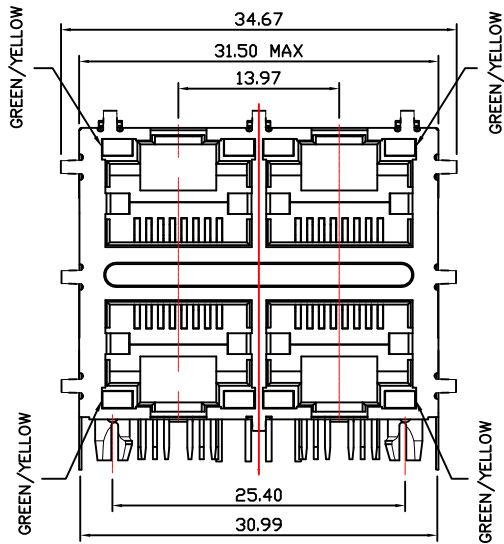
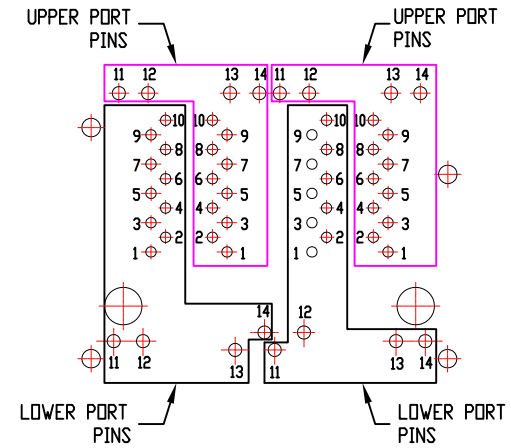
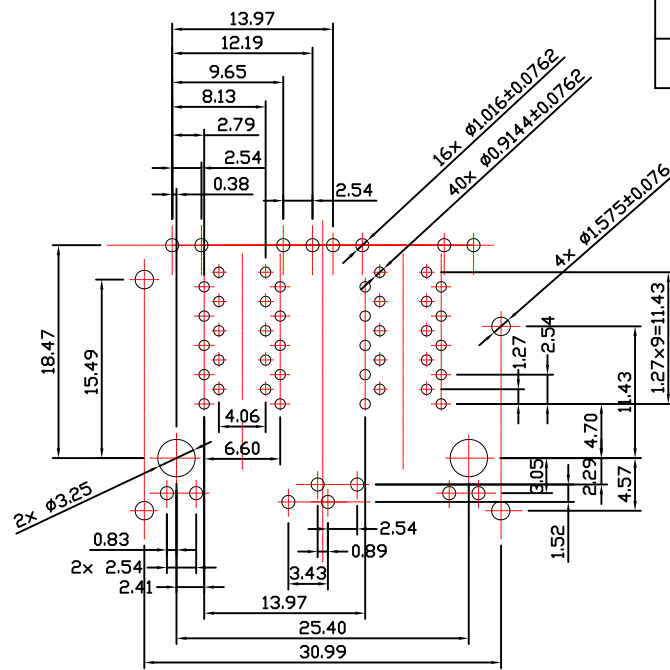
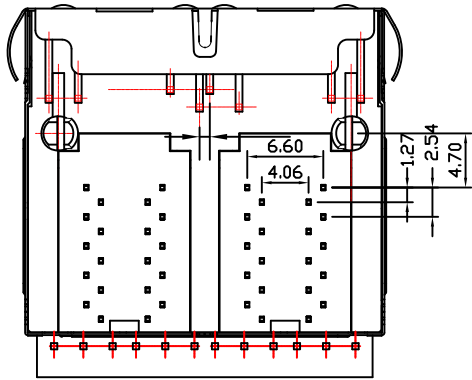
LED POLARITY		COLOR
PIN 13	PIN 14	
+	-	GREEN
-	+	YELLOW

Emitting Color	λ_p (nm)	VF@IF=20mA	IR @VR=5V
GREEN	565	1.8~2.6V	10 μA max
YELLOW	585	1.8~2.6V	10 μA max

X:X ±0.30	APPD:	LINK-PP LINK-PP INT'L TECHNOLOGY CO., LIMITED	
X:XX ±0.25	CHKD:		
X:XXX ±0.05	DR: TOM	TITLE: RJ45 Connector With 1000 Base-T Integrated Magnetics	
ANGLES ±1°	UNIT: mm	PART NO.: LPJG27747A4NL	
	SCALE: 2/1	SHEET: 2/2	REV: A
			DWG NO.: LP14041101

Mechanical:

REV.	ECN NO.	DESCRIPTION	DATE	APPD
A	REL		2011/05/21	



NOTES:

1. Designed to support application, such as SOHO (ADSL modems), LAN-on-Motherboard (LOM), hub and Switches.
2. Meets IEEE 802.3 specification
3. Connector Materials:
 Housing: Thermoplastic UL94V-0
 Contact/Shield: Copper alloy
 Shield plating: Nickel
 Contact plating: Gold 6 micro-inches min. In contact area.
4. Wave solder tip temperature: 265°C Max, 5 Sec Max.



X:X ±0.30	APPD:	LINK-PP LINK-PP INT'L TECHNOLOGY CO., LIMITED		
X:XX ±0.25	CHKD:			
X:XXX ±0.05	DR: TOM	PART NO.:	LPJG27747A4NL	
ANGLES ±1°	UNIT: mm			
	SCALE: 2/1	SHEET: 2/2	REV: A	DWG NO.: LP14041101