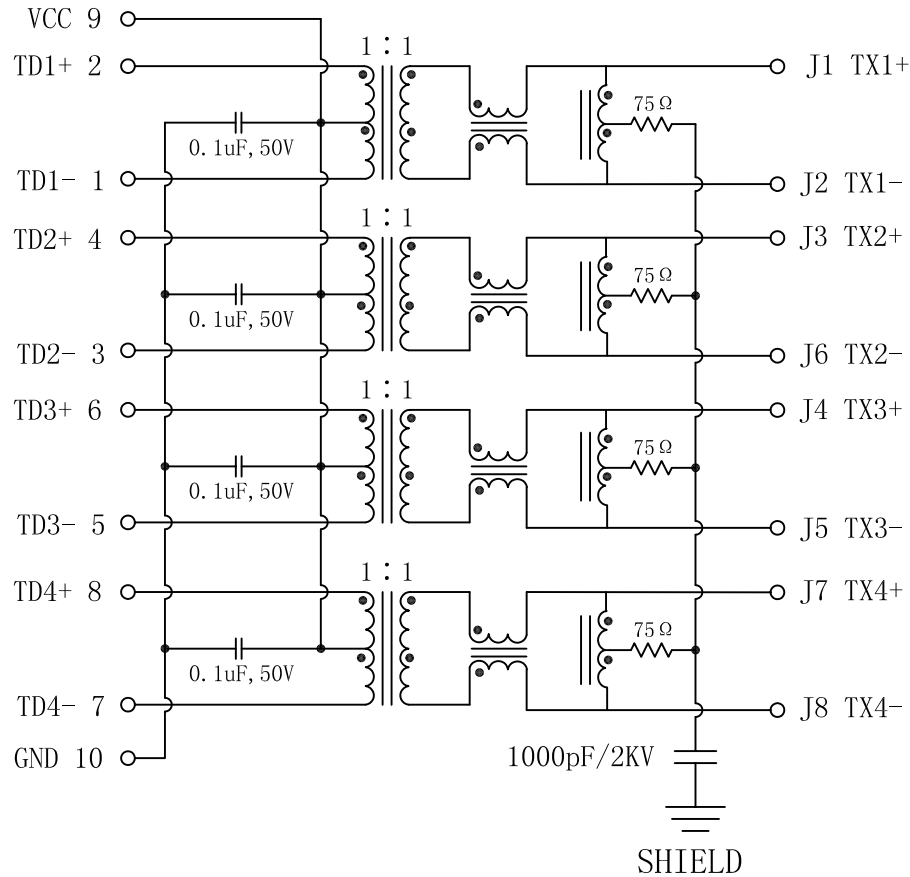


Schematic:

REV.	ECN NO.	DESCRIPTION	DATE	APPD
A	REL		2013/04/12	

PCB CONNECTIONS



RJ45 CONNECTOR

Electrical Specifications @25°C

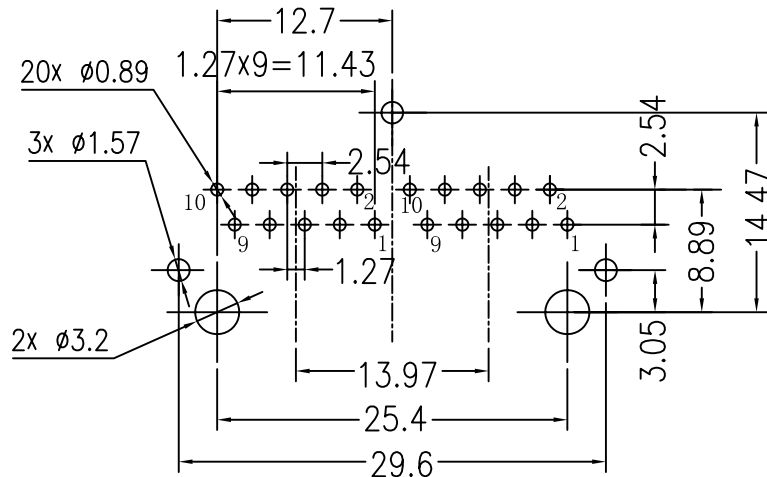
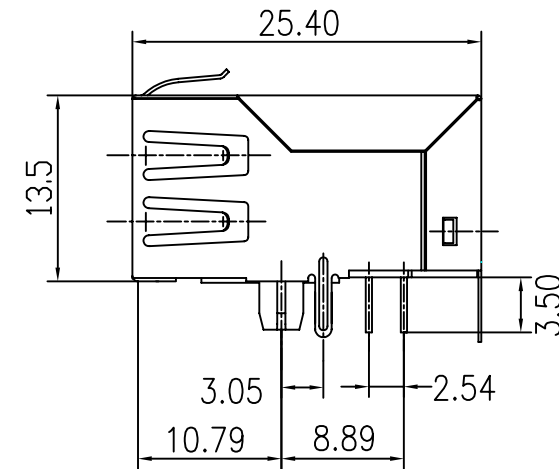
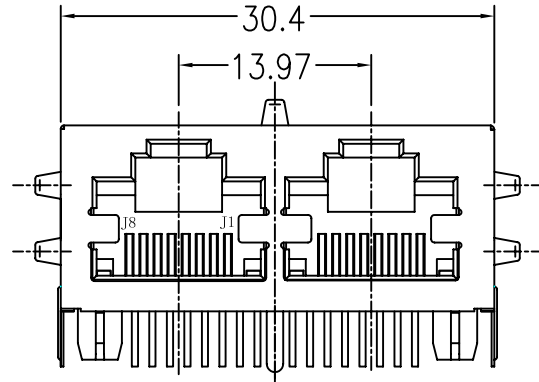
1. OCL (100KHz, 0.1V, 8mA DC BIAS):
350uH MIN
2. Insertion Loss:
0.5~100MHz: -1.1dB MAX
3. Return Loss:
0.5~40MHz: -18dB MIN
40.1~100MHz: $-[12-20\text{LOG}(f/80)]$ dB MIN.
4. Crosstalk:
0.5~40MHz: -35dB MIN
40.1~100MHz: $-[33-20\text{LOG}(f/50)]$ dB MIN.
5. Common Mode Rejection Ratio:
0.5~100MHz: -30dB MIN
6. Hipot Test: 1500Vrms MIN
7. Operating Temperature: 0°C TO +70°C.



X:X	±0.20	APPD:	LINK-PP INT'L TECHNOLOGY CO., LIMITED	
X:XX	±0.10	CHKD:		
X:XXX	±0.05	DR: TOM	TITLE: RJ45 Connector With 1000 Base-TX Integrated Magnetic TAB UP	
ANGLES	±1°	UNIT: mm	PART NO.: LPJG27331CNL	
	SCALE: 2/1	SHEET: 1/2	REV: A	DWG: LP13041201

Mechanical:

REV.	ECN NO.	DESCRIPTION	DATE	APPD
A	REL		2013/04/12	



SUGGESTED PCB LAYOUT (TOP VIEW)

NOTES:

1. Designed to support application, such as SOHO (ADSL modems), LAN-on-Motherboard (LOM), hub and Switches.
2. Meets IEEE 802.3 specification
3. Connector Materials:
 Housing: Thermoplastic UL94V-0
 Contact/Shield: Copper alloy
 Shield plating: Nickel
 Contact plating: Gold 6 micro-inches min. In contact area.
4. Wave solder tip temperature: 265°C Max
 Wave solder tip temperature time: 5 Sec Max



X:X	±0.20	APPD:	<i>LINK-PP INT'L TECHNOLOGY CO., LIMITED</i>	
X:XX	±0.10	CHKD:		
X:XXX	±0.05	DR: TOM	TITLE: RJ45 Connector With 1000 Base-TX Integrated Magnetic TAB UP	
ANGLES	±1°	UNIT: mm	PART NO.: LPJG27331CNL	
	SCALE: 2/1	SHEET: 2/2	REV: A	DWG: LP13041201