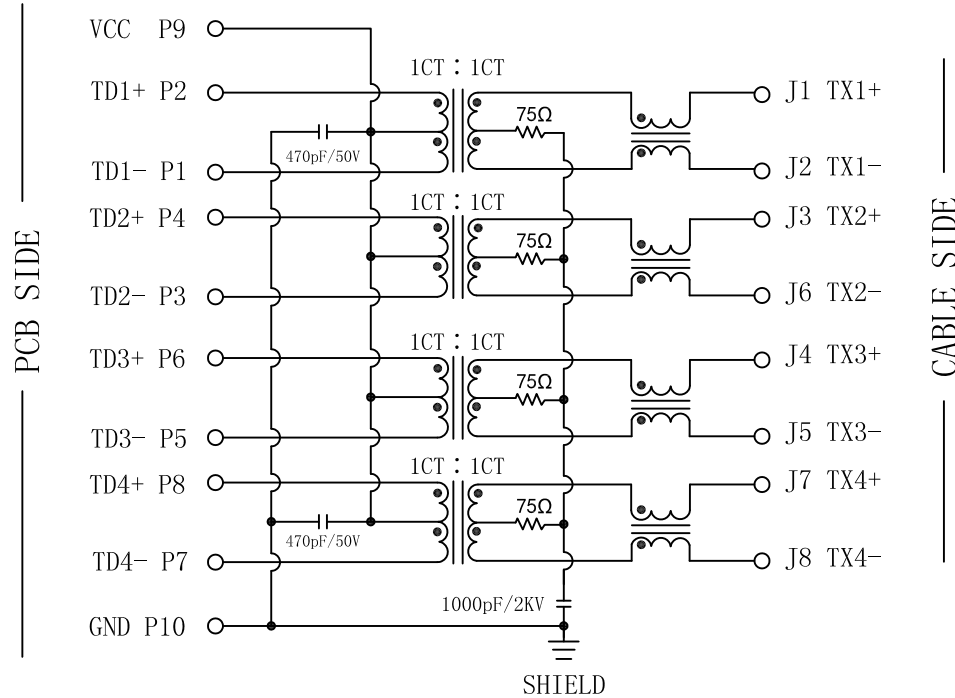


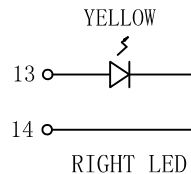
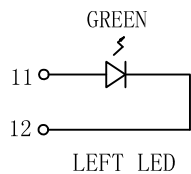
Schematic:

REV.	ECN NO.	DESCRIPTION	DATE	APPD
A	REL		2014/12/17	



Electrical Specifications @25°C

- OCL (@100KHz, 100mVrms, 8mA DC Bias):
350uH Min
- Turns Ratio: 1CT : 1CT $\pm 2\%$
- Insertion Loss:
0.5~100MHz: -1.1dB Max
- Return Loss (dB Min):
0.5~40MHz: -18
40.1~100MHz: -12-20Log(f/80MHz)
- Crosstalk (dB Min):
0.5~40MHz: -35
40.1~100MHz: -33-20Log(f/50MHz)
- Common Mode Rejection Ratio (CMRR):
0.5~100MHz: -30dB Min
- Hi-Pot: 1500Vrms
- Operating Temperature: 0°C ~ 70°C.



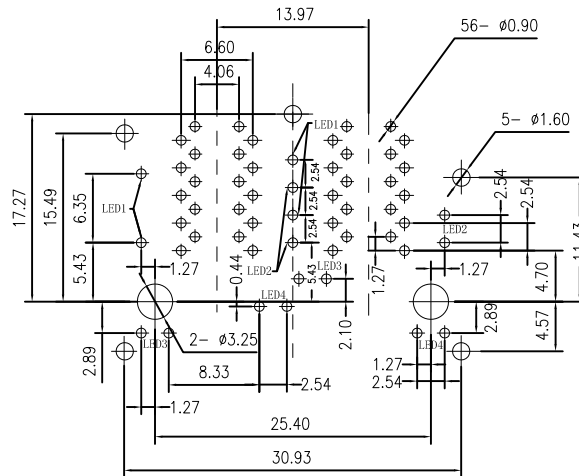
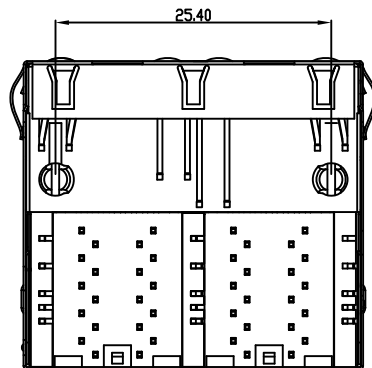
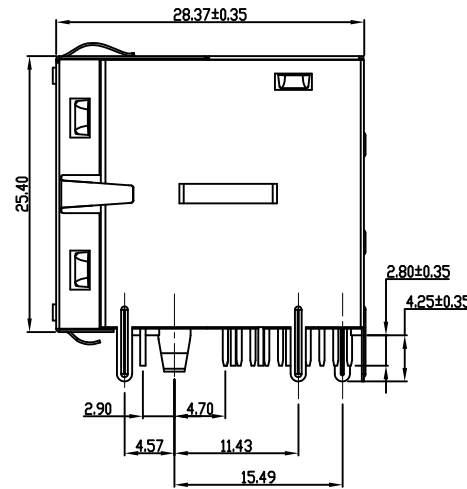
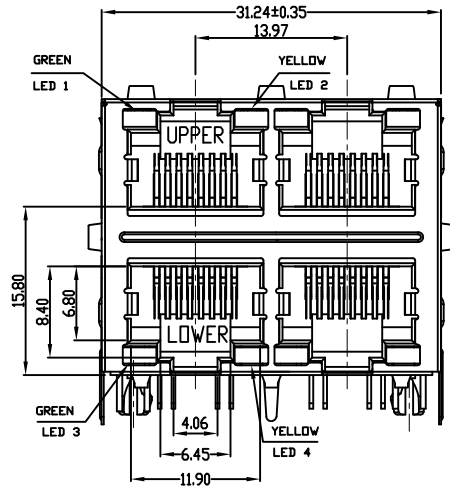
Emitting Color	λ p(nm)	V _F @I _F =20mA	I _R @V _R =5V
Green	565	1.8~2.6V	20 μ A max
Yellow	585	1.8~2.6V	20 μ A max



X:X	± 0.30	APPD:	LINK-PP INT'L TECHNOLOGY CO., LIMITED
X:XX	± 0.25	CHKD:	
X:XXX	± 0.05	DR: TOM	TITLE: RJ45 .Transformer. 1000 Base-T W/LED. 2x2 Port
ANGLES	$\pm 1^\circ$	UNIT: mm	PART NO.: LPJG27093AENL
	SCALE: 2/1	SHEET: 1/2	REV: A DWG NO.: LP14121702

Mechanical :

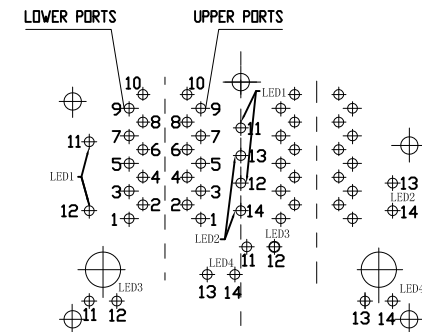
REV.	ECN NO.	DESCRIPTION	DATE	APPD
A	REL		2014/12/17	



SUGGESTED PCB LAYOUT (TOP VIEW)

NOTES:

1. Designed to support application, such as SOHO (ADSL modems), LAN-on-Motherboard (LOM), hub and Switches.
2. Meets IEEE 802.3 specification
3. Connector Materials:
Housing: Thermoplastic UL94V-0
Contact/Shield: Copper alloy
Shield plating: Nickel
Contact plating: Gold 6 micro-inches min. In contact area.
4. Wave solder tip temperature: 265°C Max, 5 Sec Max.



X:X	±0.30	APPD:	LINK-PP INT'L TECHNOLOGY CO., LIMITED	
X:XX	±0.25	CHKD:	TITLE: RJ45 .Transformer. 1000 Base-T	
X:XXX	±0.05	DR: TOM	W/LED. 2×2 Port	
ANGLES	±1°	UNIT: mm	PART NO. : LPJG27093AENL	
	SCALE: 2/1	SHEET: 2/2	REV: A	DWG NO. : LP14121702