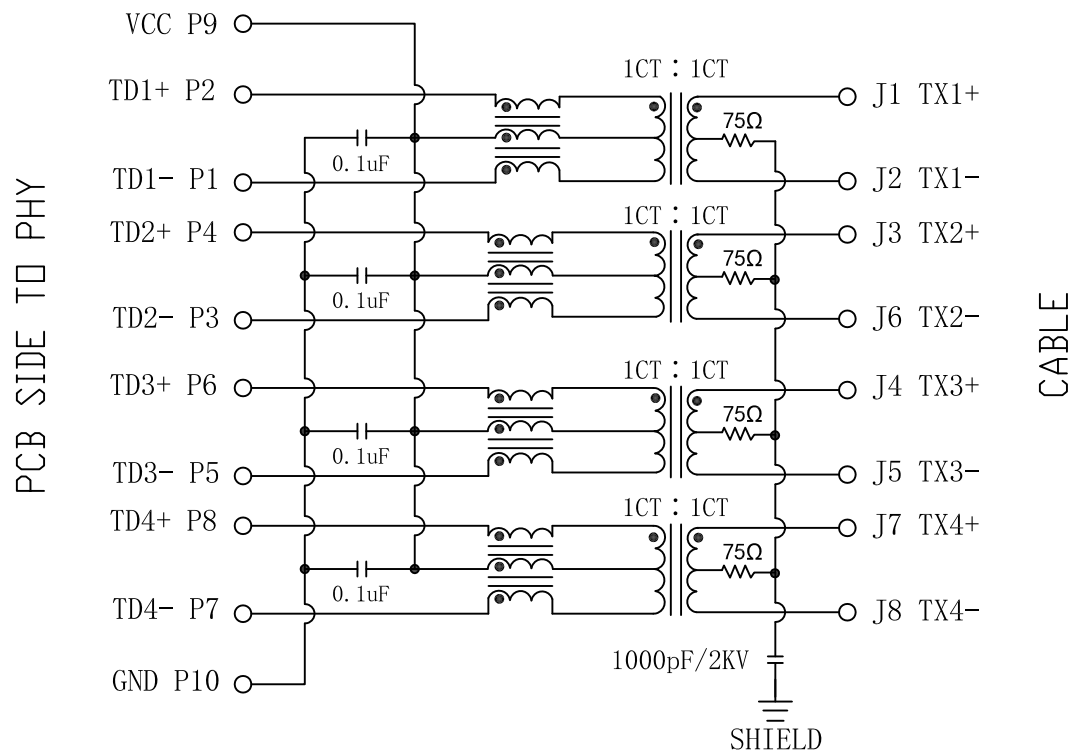


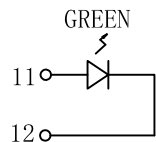
# Schematic:

REV.	ECN NO.	DESCRIPTION	DATE	APPD
A	REL			



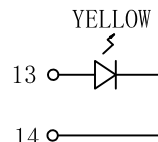
## Electrical Specification @25°C

1. OCL: 350uH Min  
@100KHz, 100mVrms, 8mA DC Bias
2. Turns Ratio: 1CT : 1CT
3. Insertion Loss:  
0.5~100MHz:-1.1dB Max
4. Return Loss(dB Min):  
0.5~30MHz:-18  
30.1~60MHz:-18-20Log(f/30MHz)  
60.1~80MHz:-12
5. Crosstalk(dB Min):  
0.5~40MHz:-35  
40.1~100MHz:-33-20Log(f/50MHz)
6. Common Mode Rejection Ratio(CMRR):  
0.5~100MHz:-30dB Min
7. Hi-Pot: 1500Vrms @60Hz
8. Operating Temperature: -40°C~+85°C.



LEFT LED

LED POLARITY		COLOR
PIN 11	PIN 12	
+	-	GREEN



RIGHT LED

LED POLARITY		COLOR
PIN 13	PIN 14	
+	-	GREEN

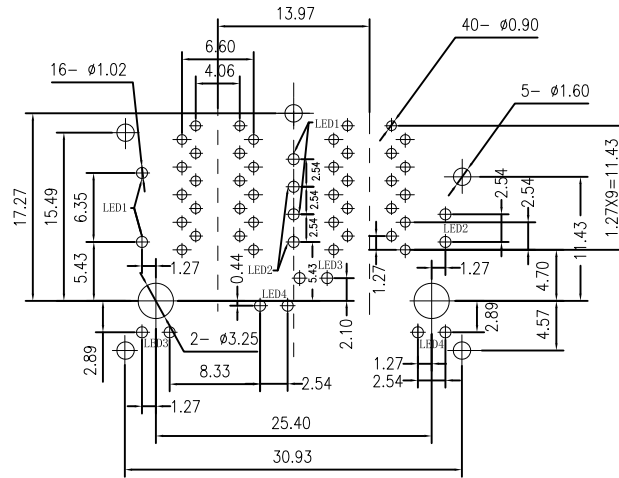
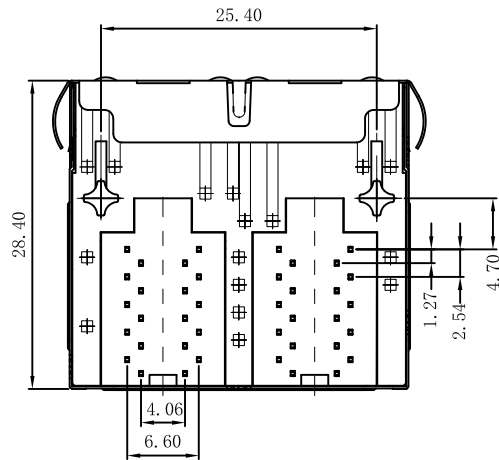


Emitting Color	$\lambda$ p(nm)	VF@IF=20mA	IR @VR=5V
GREEN	565	1.8~2.6V	10 $\mu$ A max
YELLOW	585	1.8~2.6V	10 $\mu$ A max

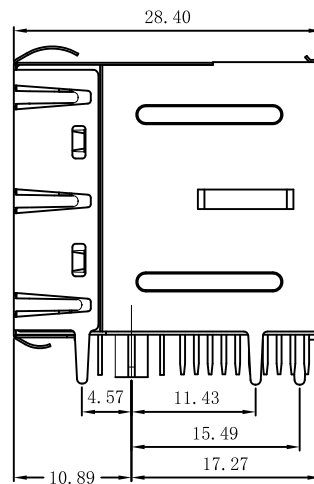
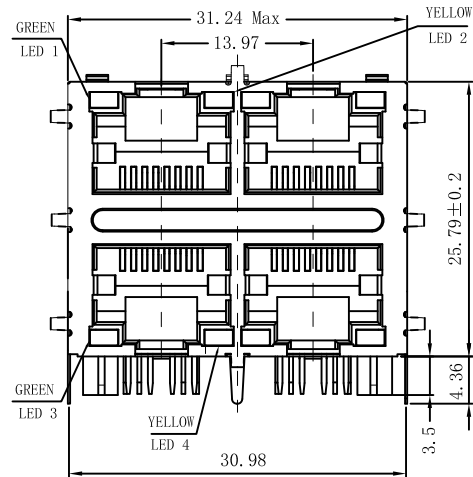
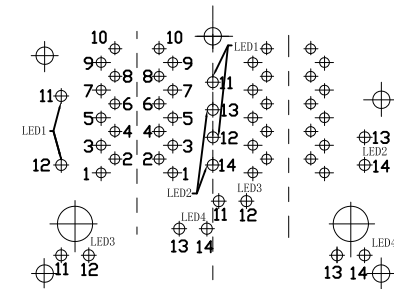
X:X	$\pm 0.30$	APPD:	LINK-PP INT'L TECHNOLOGY CO., LIMITED
X:XX	$\pm 0.25$	CHKD:	
X:XXX	$\pm 0.05$	DR: TOM	TITLE: RJ45 .Transformer.1000 Base-T W/LED.2X2 Ports
ANGLES	$\pm 1^\circ$	UNIT: mm	PART NO.: LPJG27037AENL
	SCALE: 2/1	SHEET: 1/2	REV: A
			DWG NO.: LP14042315

# Mechanical :

REV.	ECN NO.	DESCRIPTION	DATE	APPD
A	REL		2013/08/05	



SUGGESTED PCB LAYOUT (TOP VIEW)



## NOTES:

1. Designed to support application, such as SOHO (ADSL modems), LAN-on-Motherboard (LOM), hub and Switches.
2. Meets IEEE 802.3 specification
3. Connector Materials:  
Housing: Thermoplastic UL94V-0  
Contact/Shield: Copper alloy  
Shield plating: Nickel  
Contact plating: Gold 6 micro-inches min. In contact area.
4. Wave solder tip temperature: 265°C Max, 5 Sec.
5. UL Certification: File Number E484635.



X:X	±0.30	APPD:	LINK-PP INT'L TECHNOLOGY CO., LIMITED
X:XX	±0.25	CHKD:	
X:XXX	±0.05	DR: TOM	TITLE: RJ45 Transformer. 1000 Base-T W/LED. 2x2 Ports
ANGLES	±1°	UNIT: mm	PART NO.: LPJG27037AENL
	SCALE: 2/1	SHEET: 2/2	REV: A DWG NO.: LP14042315