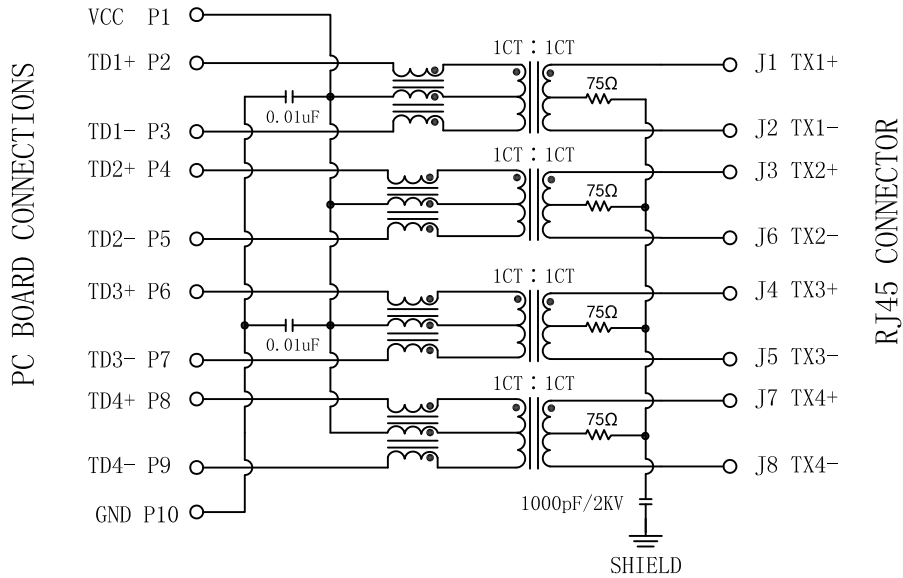


Schematic:

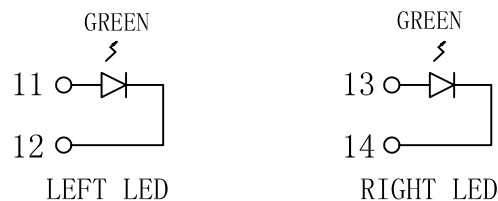
REV.	ECN NO.	DESCRIPTION	DATE	APPD
A	REL	① = 4.00mm	2011/06/29	
B	REL	① = 2.85mm	2021/08/04	



Electrical Specifications @25°C

1. Impedance: 100 ohms
2. OCL: 350uH Min
@100KHz, 0.1V, 8mADC BIAS
3. Turns Ratio: 1CT : 1CT ±3%
4. Insertion Loss:
1-100MHz: -1.1dB Max
5. Return Loss (dB Min):
1-40MHz: -18 60MHz: -14
80MHz: -12 100MHz: -10
6. Crosstalk:
1-100MHz: -35dB Typ
7. Common Mode Rejection (dB Typ):
0.1-30MHz: -38 30-60MHz: -35
60-100MHz: -30
8. Isolation Voltage: 1500Vrms
9. Operating Temperature: -40°C ~ +85°C.

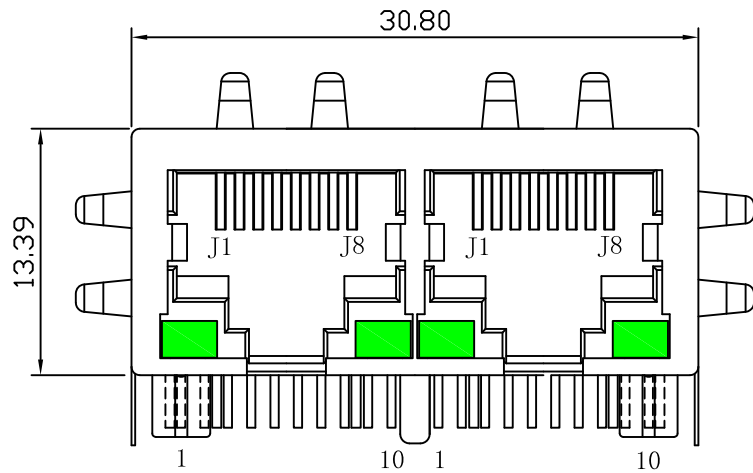
Emitting Color	λp(nm)	Vf@If=20mA	IR @VR=5V
GREEN	565	1.8~2.6V	10 μA max



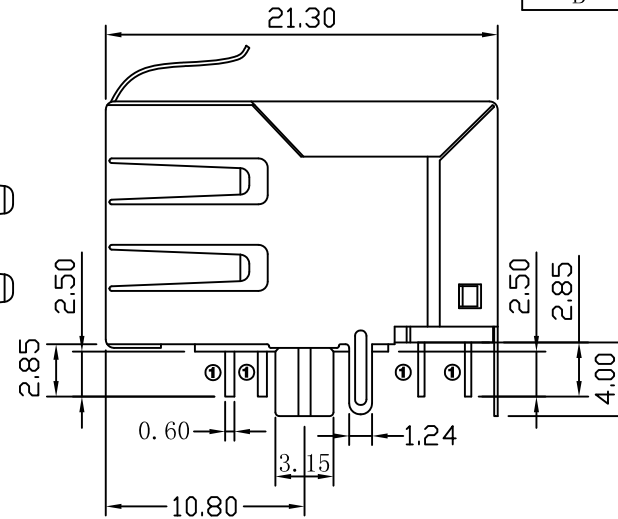
X:X ±0.30	APPD:	LINK-PP INT'L TECHNOLOGY CO., LIMITED
X:XX ±0.25	CHKD:	
X:XXX ±0.05	DR: TOM	
ANGLES ±1°	UNIT: mm	TITLE: RJ45 Connector with 1000 Base-TX Integrated Magnetic
		PART NO.: LPJG26973AFNL
	SCALE: 2/1	SHEET: 1/2
	REV: B	DWG NO.: LP21080417

Mechanical:

REV.	ECN NO.	DESCRIPTION	DATE	APPD
A	REL	① = 4.00mm	2011/06/29	
B	REL	① = 2.85mm	2021/08/04	



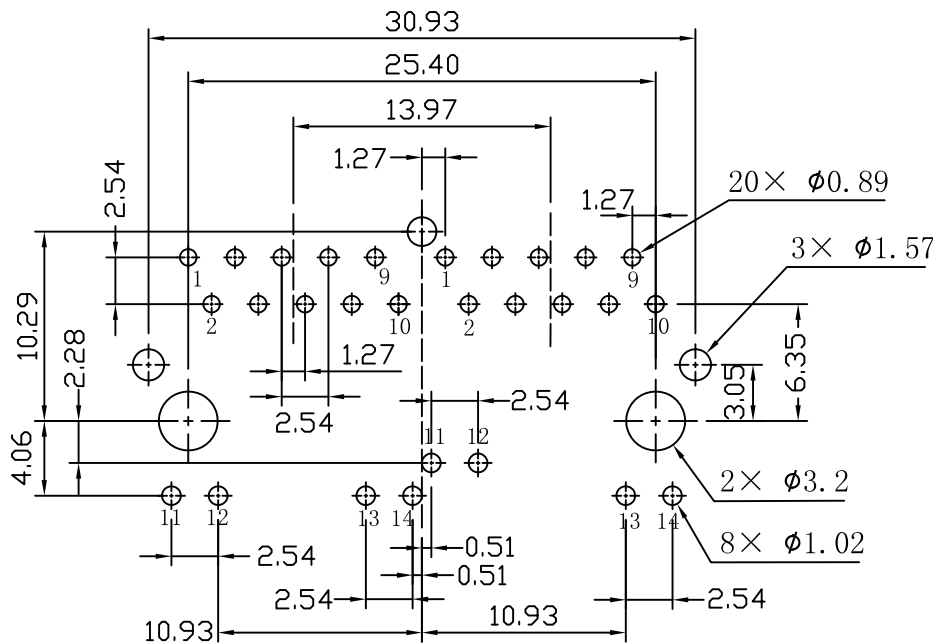
Front Side View



Left Side View



Top Side View



Suggested PCB Layout (Top View)

NOTES:

1. Designed to support application, such as SOHO (ADSL modems), LAN-on-Motherboard (LOM), hub and Switches.
2. Meets IEEE802.3 specification
3. Connector Materials:
 Housing: Thermoplastic PBT+30%G.F UL94V-0
 Contact: Phosphor Bronze C5210R-EH Thickness=0.35mm
 Pins: Brass C2680R-H Thickness=0.35mm
 Shield: SUS 201-1/2H Thickness=0.2mm
 Contact plating: Gold 6 micro-inches min. In contact area.
4. Wave solder tip temperature: 250°C, 5 Sec.
5. UL Certification: File Number E484635.



X:X ±0.30	APPD:	LINK-PP INT'L TECHNOLOGY CO., LIMITED
X:XX ±0.25	CHKD:	
X:XXX ±0.05	DR: TOM	TITLE: RJ45 Connector with 1000 Base-TX Integrated Magnetic
ANGLES ±1°	UNIT: mm	PART NO.: LPJG26973AFNL
	SCALE: 2/1	SHEET: 2/2
	REV: B	DWG NO.: LP21080417