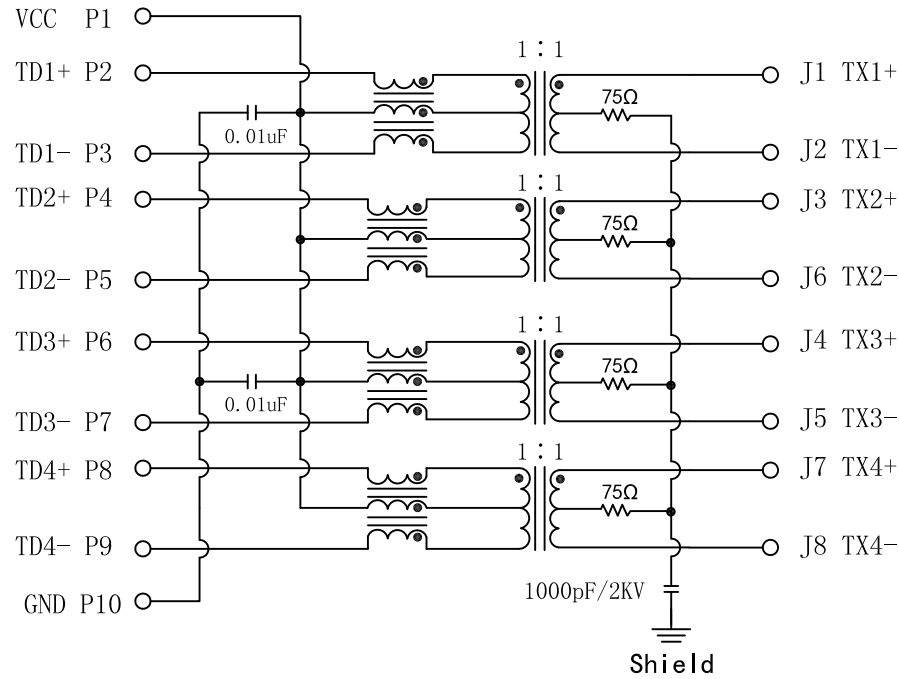


# Schematic:

REV.	ECN NO.	DESCRIPTION	DATE	APPD
A	REL		2011/06/29	

PC BOARD CONNECTIONS

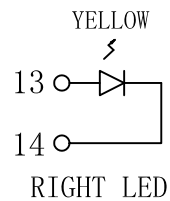
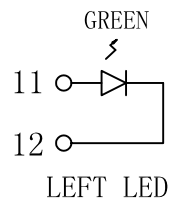


RJ45 CONNECTOR

## Electrical Specifications @25°C

- Impedance: 100 ohms
- OCL: 350uH Min  
@100KHz, 0.1V, 8mADC BIAS
- Turns Ratio: 1 : 1 ±3%
- Insertion Loss:  
1-100MHz:-1.1dB Max
- Return Loss(dB Min):  
1-40MHz:-18      60MHz:-14  
80MHz:-12      100MHz:-10
- Crosstalk:  
1-100MHz:-35dB Typ
- Common Mode Rejection(dB Typ):  
0.1-30MHz:-38      30-60MHz:-35  
60-100MHz:-30
- Isolation Voltage: 1500Vrms
- Operating Temperature: -40°C ~ +85°C.

Emitting Color	λ p(nm)	VF@IF=20mA	IR @VR=5V
GREEN	565	1.8~2.6V	10 μ A max
YELLOW	585	1.8~2.6V	10 μ A max



X:X ±0.30	APPD:	LINK-PP INT'L TECHNOLOGY CO., LIMITED
X:XX ±0.25	CHKD:	
X:XXX ±0.05	DR: TOM	TITLE: RJ45 Connector with 1000 BASE-TX Integrated Magnetic
ANGLES ±1°	UNIT: mm	PART NO.: LPJG26973AENL
	SCALE: 2/1	SHEET: 1/2
	REV: A	DWG NO.: LP11062915

