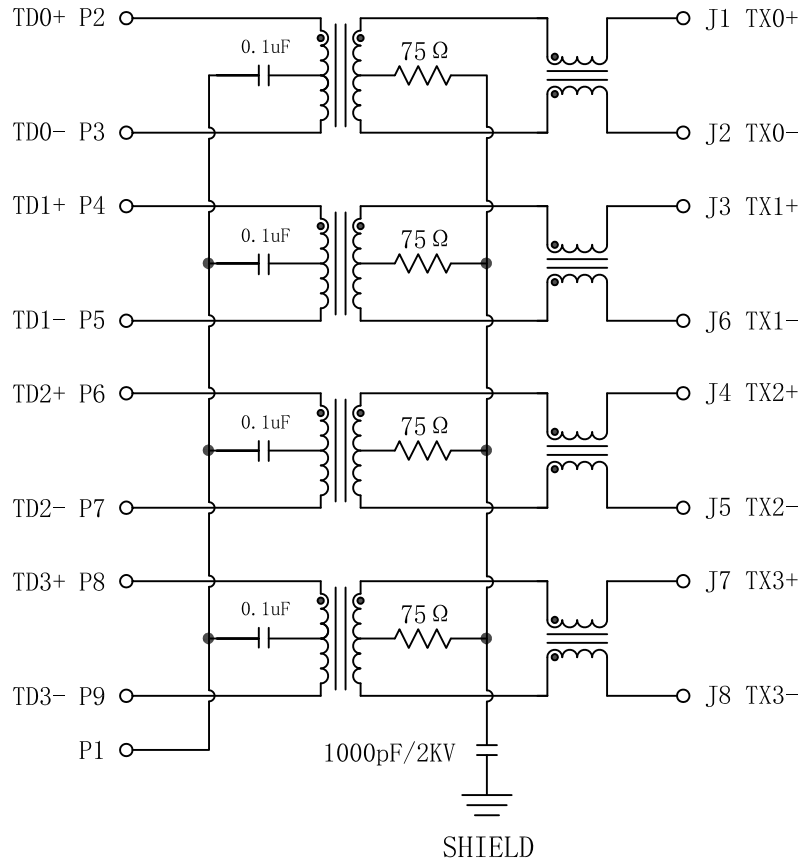


Schematic:

| REV. | ECN NO. | DESCRIPTION | DATE       | APPD |
|------|---------|-------------|------------|------|
| A    | REL     |             | 2019-02-18 |      |

PC BOARD CONNECTIONS

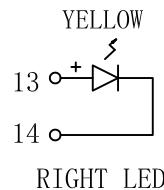
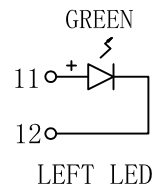


RJ45 CONNECTOR

Electrical Specification @25°C

- Turns Ratio ( $\pm 5\%$ ) :  
Pri : Sec = 1CT : 1CT
- OCL: 350uH Min  
@100KHz, 0.1V, 8mA DC Bias
- Insertion Loss(dB Max):  
1~100MHz:-1.0      100~125MHz:-1.2
- Return Loss(dB Min):  
1~40MHz:-16      40~60MHz:-12  
60~80MHz:-10      80~100MHz:-8
- Crosstalk:  
1~100MHz:-30dB Min
- Common to Mode Rejection Attenuation:  
1~100MHz:-30dB Min
- Hipot: 1500Vrms
- Operating Temperature: -40°C ~ +85°C.

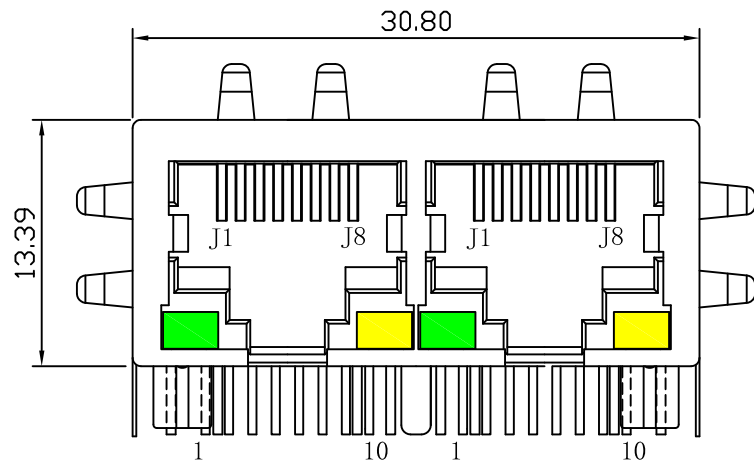
| Emitting Color | $\lambda$ p(nm) | VF@IF=20mA | IR @VR=5V      |
|----------------|-----------------|------------|----------------|
| GREEN          | 565             | 1.8~2.6V   | 10 $\mu$ A max |
| YELLOW         | 585             | 1.8~2.6V   | 10 $\mu$ A max |



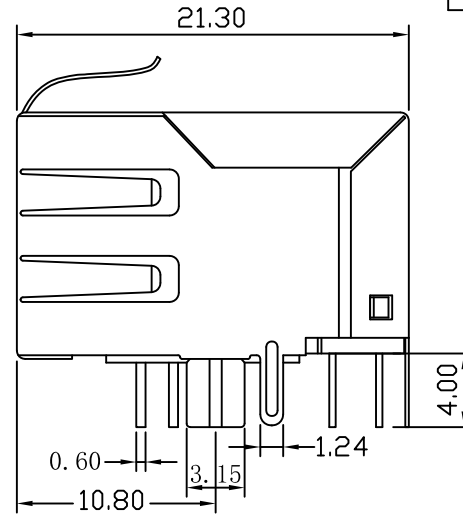
|        |               |            |   |
|--------|---------------|------------|---|
| X:X    | $\pm 0.30$    | APPD:      | LINK-PP INT'L TECHNOLOGY CO., LIMITED                           |
| X:XX   | $\pm 0.25$    | CHKD:      |   |
| X:XXX  | $\pm 0.05$    | DR: TOM    |   |
| ANGLES | $\pm 1^\circ$ | UNIT: mm   | TITLE: 1*2 RJ45 Connector with 1000 BASE-T Integrated Magnetics |
|        |               |            | PART NO.: LPJG26945AENL   |
|        | SCALE: 2/1    | SHEET: 1/2 | REV: A  |
|        |               | DWG NO.:   | LP19021801  |

Mechanical:

| REV. | ECN NO. | DESCRIPTION | DATE       | APPD |
|------|---------|-------------|------------|------|
| A    | REL     |             | 2019-02-18 |      |



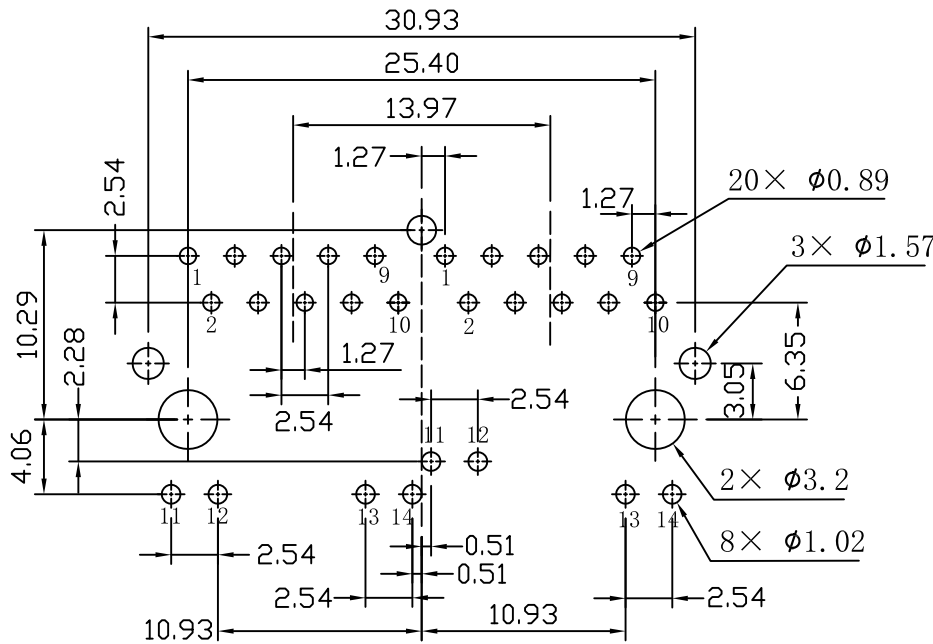
Front Side View



Left Side View



Top Side View



SUGGESTED PCB LAYOUT (TOP VIEW)



NOTES:

1. Designed to support application, such as SOHO (ADSL modems), LAN-on-Motherboard (LOM), hub and Switches.
2. Meets IEEE 802.3 specification
3. Connector Materials:  
 Housing: Thermoplastic PA46+30%G.F UL94V-0  
 Contact: Phosphor Bronze C5210R-EH Thickness=0.35mm  
 Pins: Brass C2680R-H Thickness=0.35mm  
 Shield: SUS 201-1/2H Thickness=0.2mm  
 Contact plating: Gold 6 micro-inches min. In contact area.
4. Wave solder tip temperature: 265°C Max, 5 Sec.
5. UL Certification: File Number E484635.

|             |            |   |
|-------------|------------|---|
| X:X ±0.30   | APPD:      | LINK-PP INT'L TECHNOLOGY CO., LIMITED                           |
| X:XX ±0.25  | CHKD:      |   |
| X:XXX ±0.05 | DR: TOM    | TITLE: 1*2 RJ45 Connector with 1000 BASE-T Integrated Magnetics |
| ANGLES ±1°  | UNIT: mm   | PART NO.: LPJG26945AENL   |
|             | SCALE: 2/1 | SHEET: 2/2  |
|             | REV: A     | DWG NO.: LP19021801   |