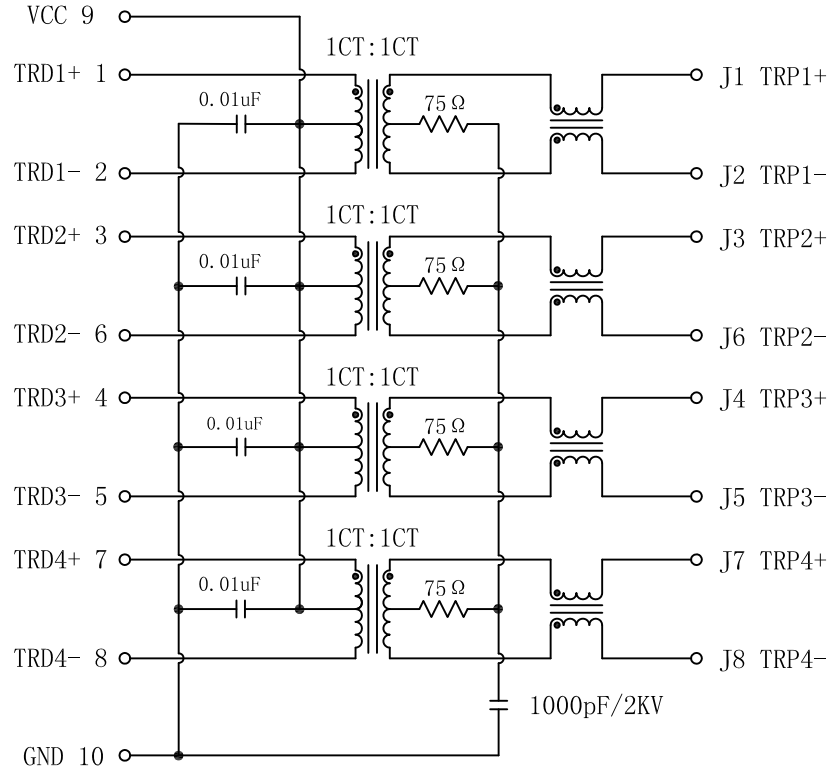


Schematic:

REV.	ECN NO.	DESCRIPTION	DATE	APPD
A	REL		2015-04-15	

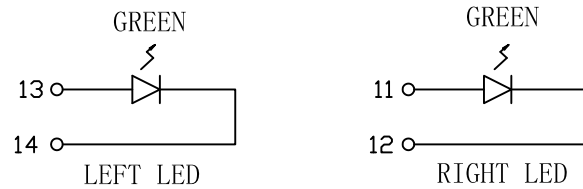
PC BOARD CONNECTIONS



RJ45 CONNECTOR

ELECTRICAL SPECIFICATIONS @25°C

- Turn Ratio($\pm 3\%$):
Pri:Sec = 1CT:1CT
- Inductance OCL:
350uH MIN @100KHz 0.1V 8mA DC Bias
- 1.2 Ω MAX
- Insertion Loss:
-1.1dB MAX @1-100MHz
- Return Loss:
-18dB MIN @1-40MHz
-14dB MIN @60MHz
-12dB MIN @80MHz
-10dB MIN @100MHz
- Cross talk:
-35dB TYP @1-100MHz
- Common Mode Rejection:
-50dB TYP @0.1-30MHz
-40dB TYP @30-60MHz
-35dB TYP @60-100MHz
- Hipot Test: 1500Vrms
- Operating Temperature Range: 0°C TO 70°C

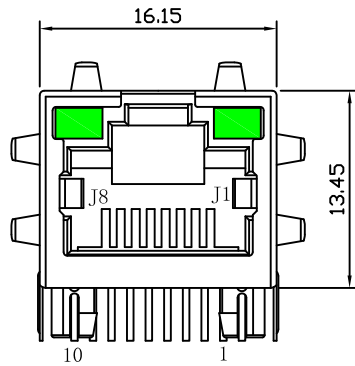


Emitting Color	λ p(nm)	VF@IF=20mA	IR @VR=5V
GREEN	565	1.8~2.6V	10 μ A max

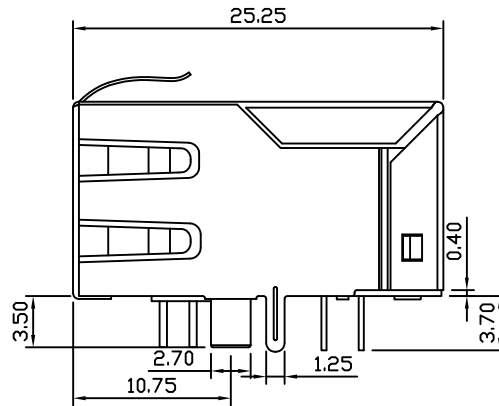
X:X	± 0.25	APPD:	LINK-PP INT'L TECHNOLOGY CO., LIMITED	
X:XX	± 0.20	CHKD:	TITLE: RJ45 Connector with 1000 Base-T Integrated Magnetics	
X:XXX	± 0.05	DR: TOM	PART NO.: LPJG18813AFNL	
ANGLES	$\pm 1^\circ$	UNIT: mm	DWG NO.: LP14101020	
	SCALE: 2/1	SHEET: 1/2	REV: A	

Mechanical:

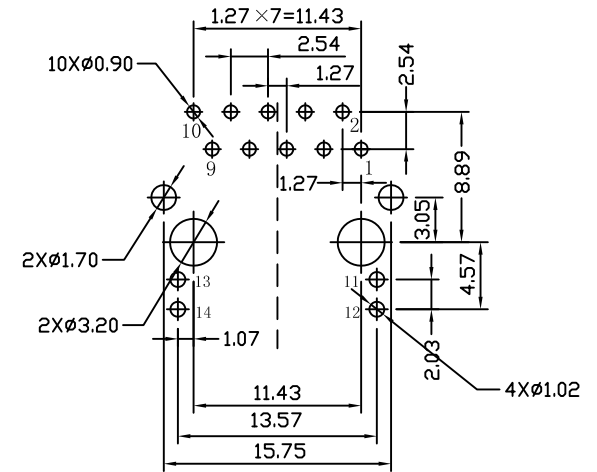
REV.	ECN NO.	DESCRIPTION	DATE	APPD
A	REL		2015-04-15	



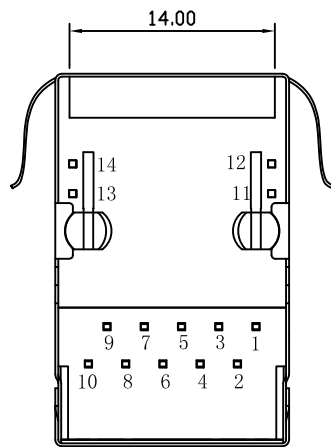
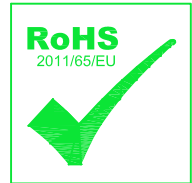
Front Side View



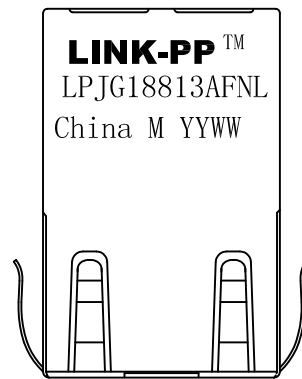
Left Side View



Suggested PCB Layout



Bottom Side View



Top Side View

NOTES:

1. Meets IEEE 802.3 specification

2. Connector Materials:

Housing Material: Thermoplastic PBT+30%G.F UL94V-0

Contact Material: Phosphor Bronze C5210R-EH Thickness=0.35mm

Pins: Brass C2680R-H Thickness=0.35mm

Shield: Copper alloy Brass H65Y Thickness=0.2mm

Contact plating: Gold 6 micro-inches min. In contact area.

3. Wave solder tip temperature: 265°C Max, 5 Sec Max

X:X	±0.25	APPD:	LINK-PP INT'L TECHNOLOGY CO., LIMITED	
X:XX	±0.20	CHKD:	TITLE: RJ45 Connector with 1000 Base-T Integrated Magnetics	
X:XXX	±0.05	DR: TOM	PART NO.: LPJG18813AFNL	
ANGLES	±1°	UNIT: mm	DWG NO.: LP14101020	
	SCALE: 2/1	SHEET: 2/2	REV: A	