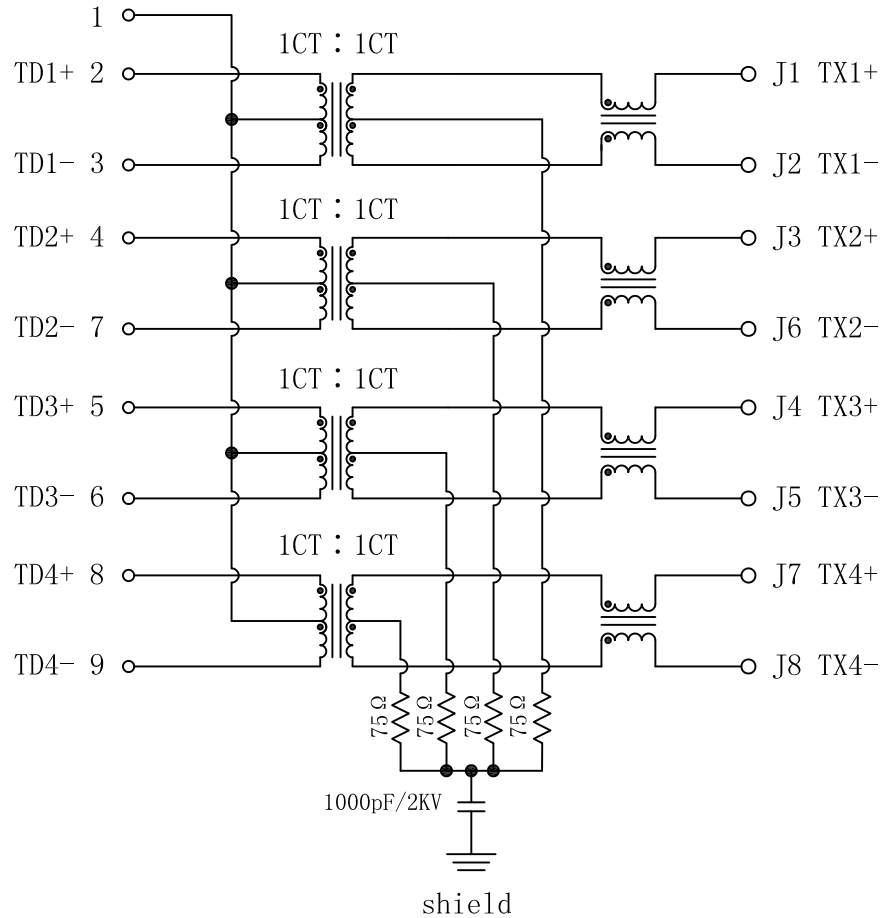


Schematic:

REV.	ECN NO.	DESCRIPTION	DATE	APPD
A	REL		2013/09/04	

PCB CONNECTIONS

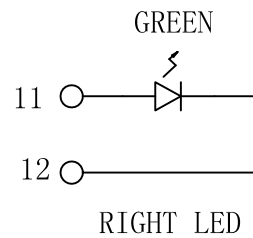
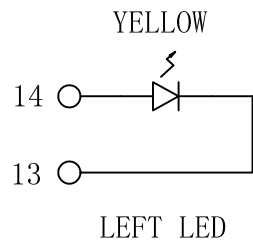


RJ45 CONNECTOR

Electrical Specifications @25°C

- Turns Ratio: 1CT : 1CT $\pm 2\%$
- OCL: 350uH MIN
@100KHz, 100mV, 8mA DC Bias
- Insertion Loss:
1~60MHz: -1.0dB MAX
60~100MHz: -1.1dB MAX
- Return Loss (dB MIN):
0.3~30MHz: -18 40~60MHz: -14
80~100MHz: -12
- Crosstalk (dB MIN):
1~10MHz: -35 15~60MHz: -26
60~100MHz: -24
- Common Mode Rejection:
1~60MHz: -40dB MIN
60~100MHz: -30dB MIN
- Hipot: 1500Vrms MIN
- Operating Temperature: -40°C ~ +85°C.

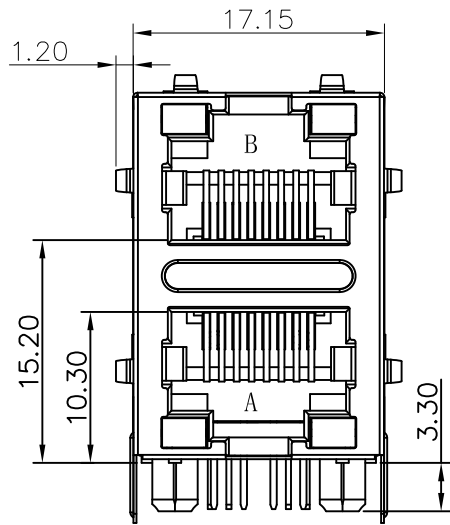
Emitting Color	λ p(nm)	VF@IF=20mA	IR @VR=5V
Green	570	1.8~2.6V	10 μ A max
Yellow	590	1.8~2.6V	10 μ A max



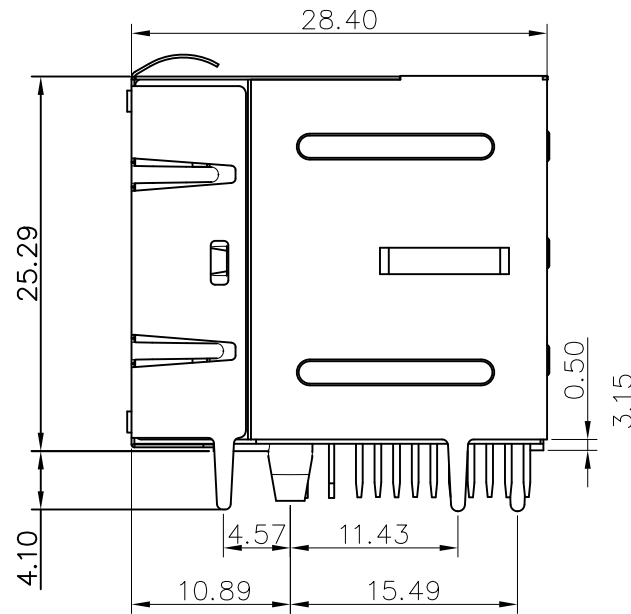
X:X	± 0.30	APPD:	LINK-PP INT'L TECHNOLOGY CO., LIMITED	
X:XX	± 0.25	CHKD:	TITLE: RJ45 2X1 w/Transformer 1000 Base-T w/LED	
X:XXX	± 0.05	DR: TOM	PART NO.: LPJG17610AANL	
ANGLES	$\pm 1^\circ$	UNIT: mm		
	SCALE: 2/1	SHEET: 1/2	REV: A	DWG NO.: LP13090410

Mechanical :

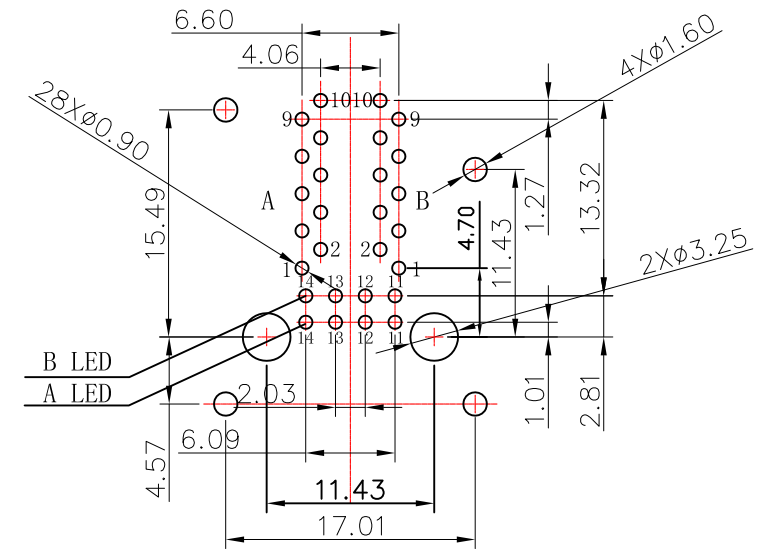
REV.	ECN NO.	DESCRIPTION	DATE	APPD
A	REL		2013/09/04	



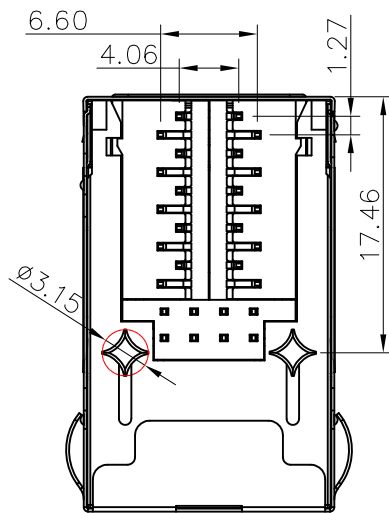
Front Side View



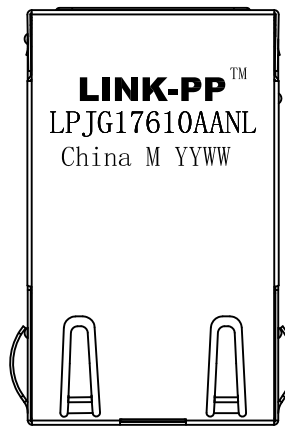
Left Side View



Suggested PCB Layout (Top View)



Bottom Side View



Top Side View



NOTES:

1. Meets IEEE 802.3 specification
2. Connector Materials:
 Housing Material: Thermoplastic PBT+30%G.F UL94V-0
 Contact Material: Phosphor Bronze C5210R-EH Thickness=0.35mm
 Pins: Brass C2680R-H Thickness=0.35mm
 Shield: Copper alloy Brass H65Y Thickness=0.20mm
 Shield plating: Nickel
 Contact plating: Gold 6 micro-inches min. In contact area.
3. Wave solder tip temperature: 265°C Max, 5 Sec.
4. UL Certification: File Number E484635.

X:X	±0.30	APPD:	LINK-PP INT'L TECHNOLOGY CO., LIMITED
X:XX	±0.25	CHKD:	
X:XXX	±0.05	DR: TOM	TITLE: RJ45 2×1 w/Transformer 1000 Base-T w/LED
ANGLES	±1°	UNIT: mm	PART NO.: LPJG17610AANL
	SCALE: 2/1	SHEET: 2/2	REV: A DWG NO.: LP13090410