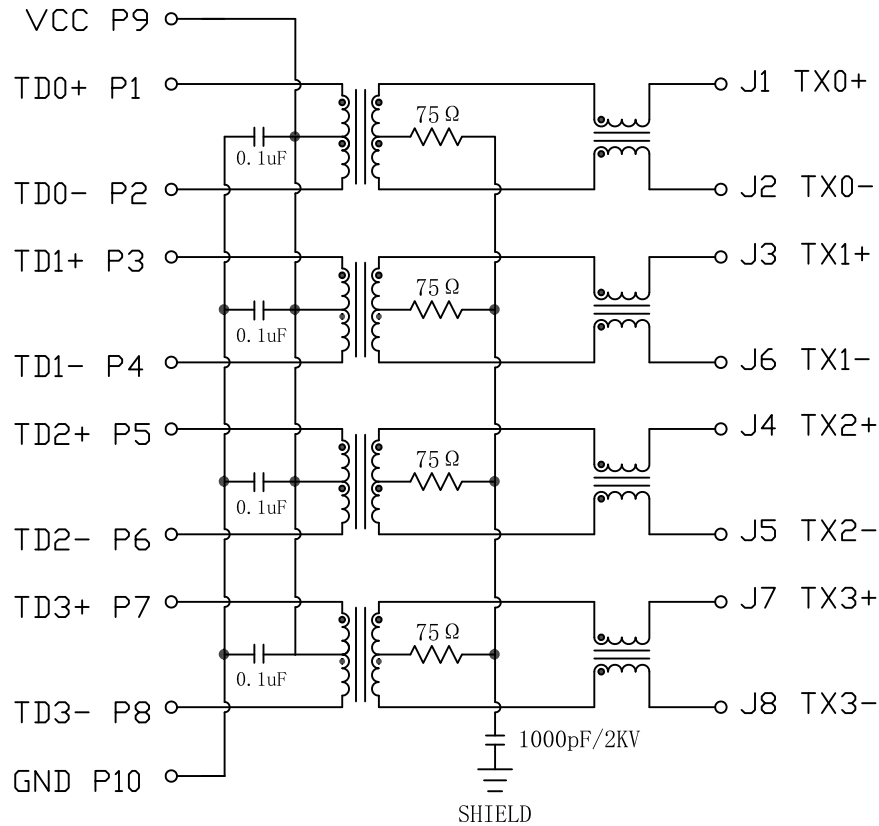


Schematic:

REV.	ECN NO.	DESCRIPTION	DATE	APPD
A	REL		2011-02-25	

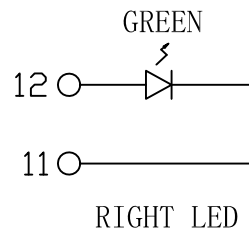
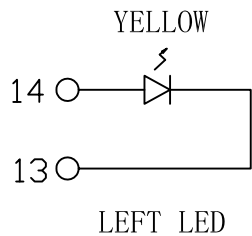
PCB CONNECTIONS



RJ45 CONNECTOR

Electrical Specifications @25°C

- Turns Ratio:  
PRI:SEC = 1CT:1CT ±2%
- OCL:  
350uH MIN @ 100KHz, 100mV, 8mADC
- Insertion Loss:  
1~100MHz:-1.0dB MAX
- Return Loss (dB MIN):  
1~30MHz:-18                      30~60MHz:-14  
60~80MHz:-12
- Crosstalk (dB TYP):  
1~30MHz:-40                      30~60MHz:-35  
60~80MHz:-30
- Differential to Common Mode Rejection:  
1~50MHz: -30dB TYP  
50~150MHz: -20dB TYP
- CMRR: 1~100MHz:-30dB MIN
- Isolation: 1500Vrms MIN
- Operating Temperature Range: -40°C ~+85°C.

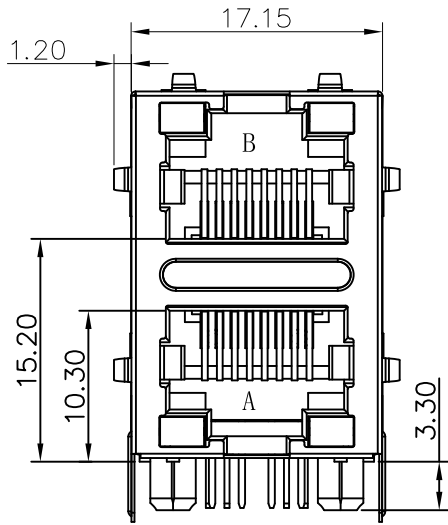


Emitting Color	λ p(nm)	VF@IF=20mA	IR @VR=5V
GREEN	565	1.8~2.4V	10 μ A max
YELLOW	585	1.8~2.4V	10 μ A max

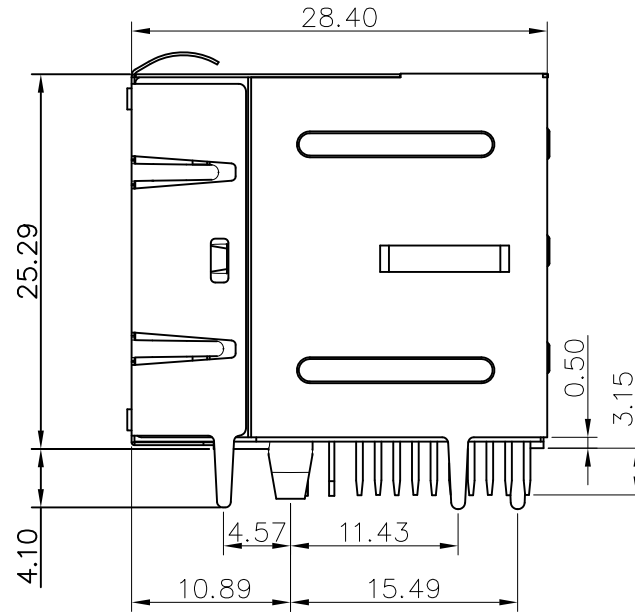
X:X ±0.30	APPD:	LINK-PP INT'L TECHNOLOGY CO., LIMITED
X:XX ±0.25	CHKD:	
X:XXX ±0.05	DR: TOM	TITLE: 2*1 RJ45 Connector with 1000 Base-T Integrated Magnetics
ANGLES ±1°	UNIT: mm	PART NO.: LPJG17561AGNL
	SCALE: 2/1	SHEET: 1/2
	REV: A	DWG NO.: LP11022511

# Mechanical:

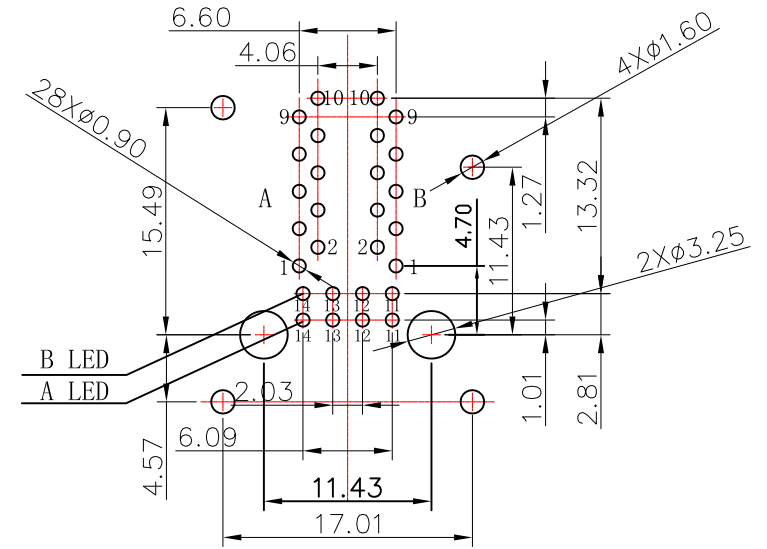
REV.	ECN NO.	DESCRIPTION	DATE	APPD
A	REL		2011-02-25	



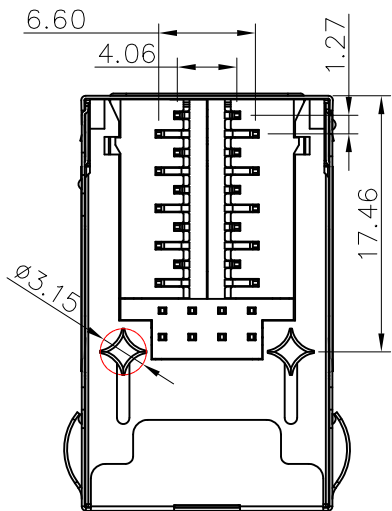
Front Side View



Left Side View



Suggested PCB Layout (Top View)



Bottom Side View



Top Side View

### NOTES:

1. Designed to support application, such as SOHO (ADSL modems), LAN-on-Motherboard (LOM), hub and Switches.
2. Meets IEEE 802.3 specification
3. Connector Materials:  
 Housing: Thermoplastic PBT+30%G. F UL94V-0  
 Contact: Phosphor Bronze C5210R-EH Thickness=0.35mm  
 Pins: Brass C2680R-H Thickness=0.35mm  
 Shield: SUS 201-1/2H Thickness=0.2mm  
 Contact plating: Gold 6 micro-inches min. In contact area.
4. Wave solder tip temperature: 265°C Max, 5 Sec.
5. UL Certification: File Number E484635.



X:X	±0.30	APPD:	LINK-PP INT'L TECHNOLOGY CO., LIMITED	
X:XX	±0.25	CHKD:	TITLE: 2*1 RJ45 Connector with 1000 Base-T Integrated Magnetics	
X:XXX	±0.05	DR: TOM		
ANGLES	±1°	UNIT: mm	PART NO.: LPJG17561AGNL	
	SCALE: 2/1	SHEET: 2/2	REV: A	DWG NO.: LP11022511