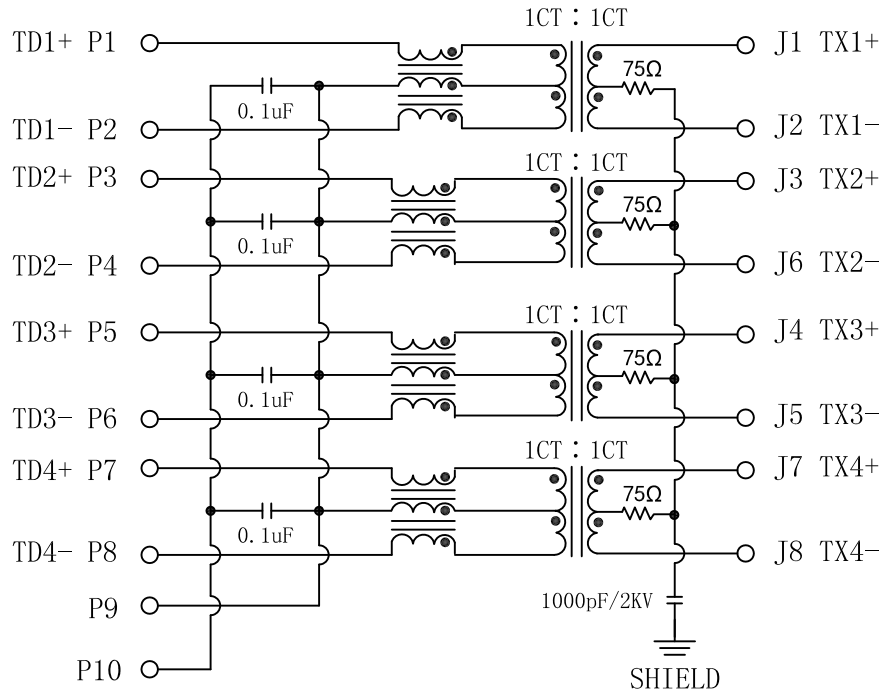


Schematic:

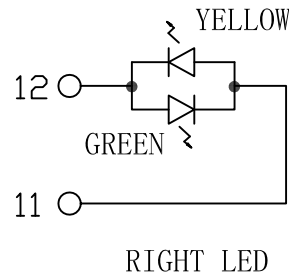
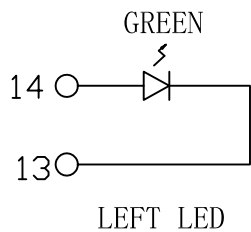
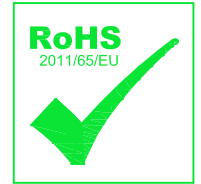
REV.	ECN NO.	DESCRIPTION	DATE	APPD
A	REL		2011-02-25	

PCB CONNECTIONS



Electrical Specifications @25°C

- Turns Ratio:
Pri : Sec = 1CT : 1CT ±5%
- OCL: 350uH MIN
@ 100KHz, 100mV, 8mA DC Bias
- Insertion Loss:
1~100MHz: -1.0dB MAX
100~125MHz: -1.2dB MAX
- Return Loss(dB MIN):
1~40MHz: -16 40~60MHz: -12
60~80MHz: -10 80~100MHz: -8
- Crosstalk:
1~100MHz: -30dB Min
- Common to Common Mode Attenuation:
1~100MHz: -30dB MIN
- Hipot: 1500Vrms MIN
- Operating Temperature: 0°C ~ 70°C.

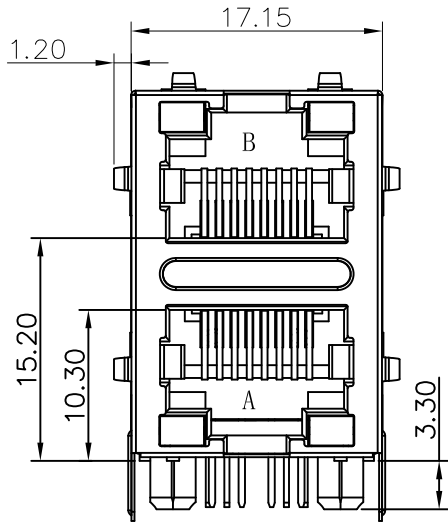


Emitting Color	λ_p (nm)	VF@IF=20mA	IR @VR=5V
GREEN	565	1.8~2.4V	10 μ A max
YELLOW	585	1.8~2.4V	10 μ A max

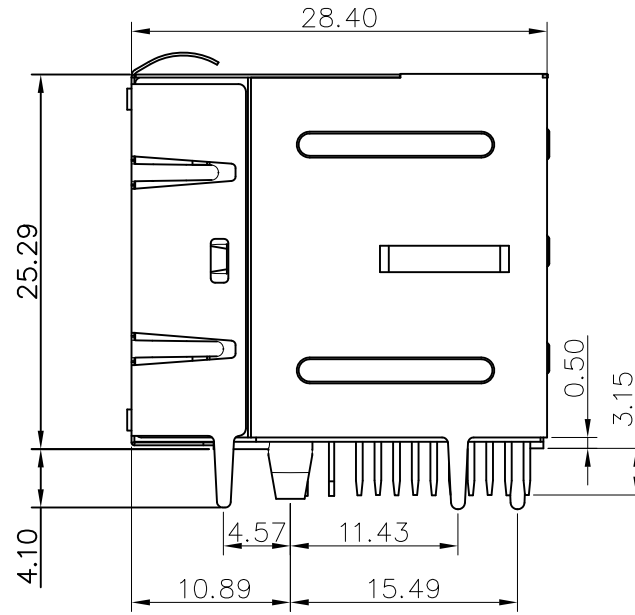
X:X ±0.30	APPD:	LINK-PP INT'L TECHNOLOGY CO., LIMITED	
X:XX ±0.25	CHKD:	TITLE: 2*1 RJ45 Connector with 1000 Base-T Integrated Magnetics	
X:XXX ±0.05	DR: TOM	PART NO. : LPJG17549A8NL	
ANGLES ±1°	UNIT: mm	DWG NO. : LP1102250	
	SCALE: 2/1	SHEET: 1/2	REV: A

Mechanical:

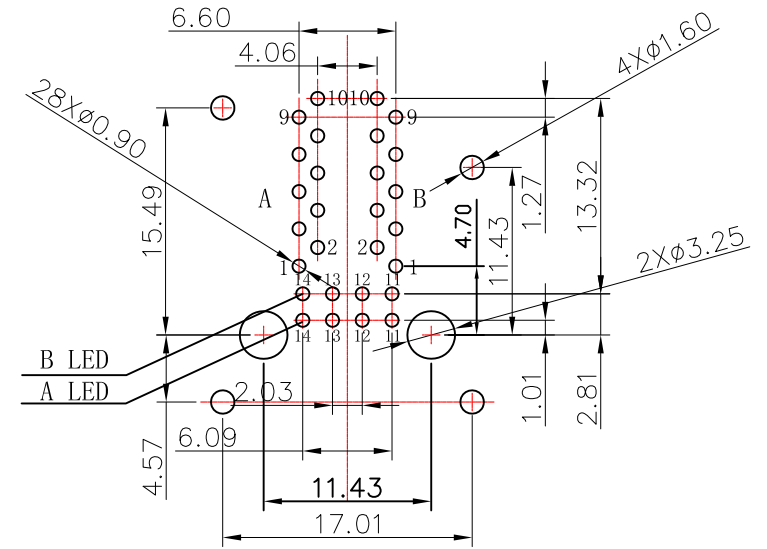
REV.	ECN NO.	DESCRIPTION	DATE	APPD
A	REL		2011-02-25	



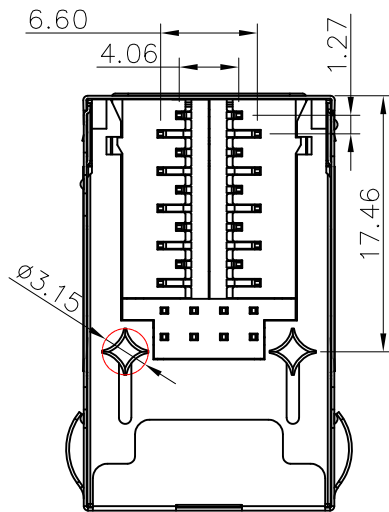
Front Side View



Left Side View



Suggested PCB Layout (Top View)



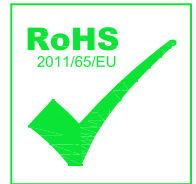
Bottom Side View



Top Side View

NOTES:

1. Meets IEEE 802.3 specification
2. Connector Materials:
 Housing Material: Thermoplastic PBT+30%G.F UL94V-0
 Contact Material: Phosphor Bronze C5210R-EH Thickness=0.35mm
 Pins: Brass C2680R-H Thickness=0.35mm
 Shield: Copper alloy Brass H65Y Thickness=0.20mm
 Shield plating: Nickel
 Contact plating: Gold 6 micro-inches min. In contact area.
3. Wave solder tip temperature: 265°C Max, 5 Sec Max
4. UL Certification: File Number E484635.



X:X	±0.30	APPD:	LINK-PP INT'L TECHNOLOGY CO., LIMITED	
X:XX	±0.25	CHKD:	TITLE: 2*1 RJ45 Connector with 1000 Base-T Integrated Magnetics	
X:XXX	±0.05	DR: TOM		
ANGLES	±1°	UNIT: mm	PART NO.:	LPJG17549A8NL
	SCALE: 2/1	SHEET: 2/2	REV: A	DWG NO.: LP1102250